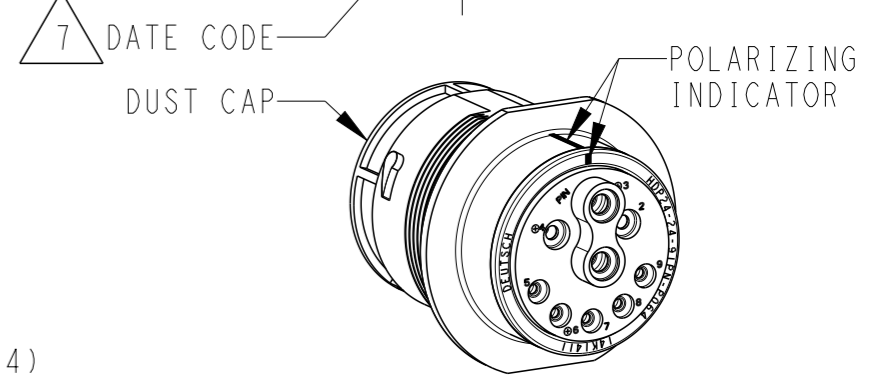
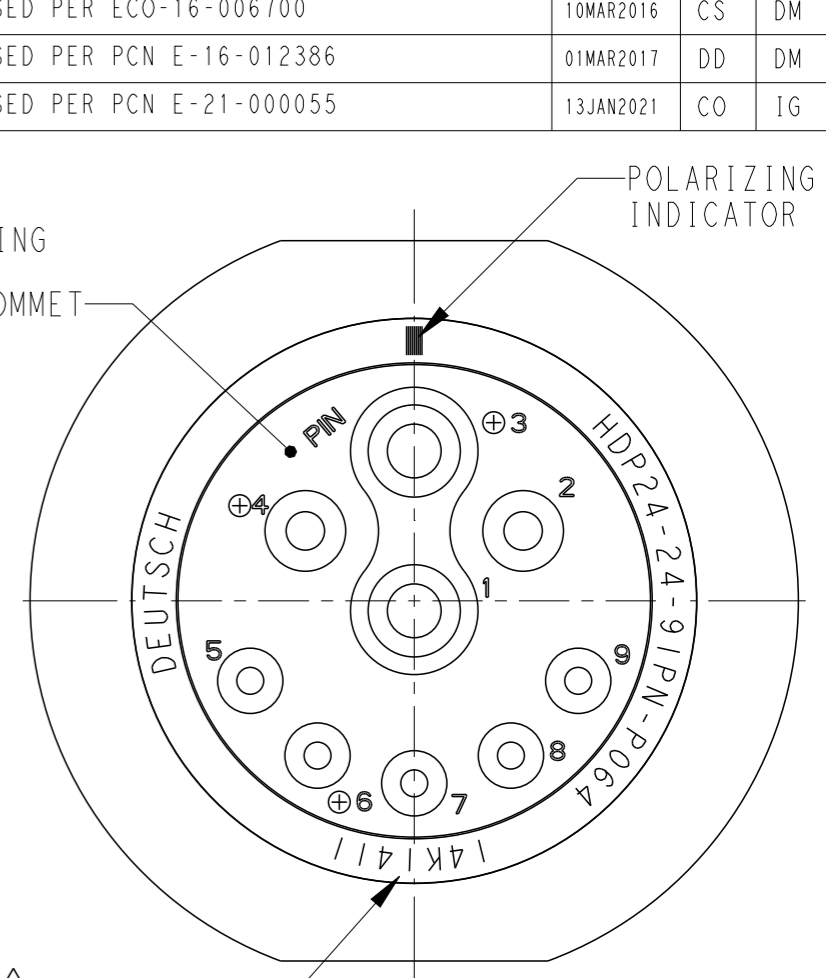
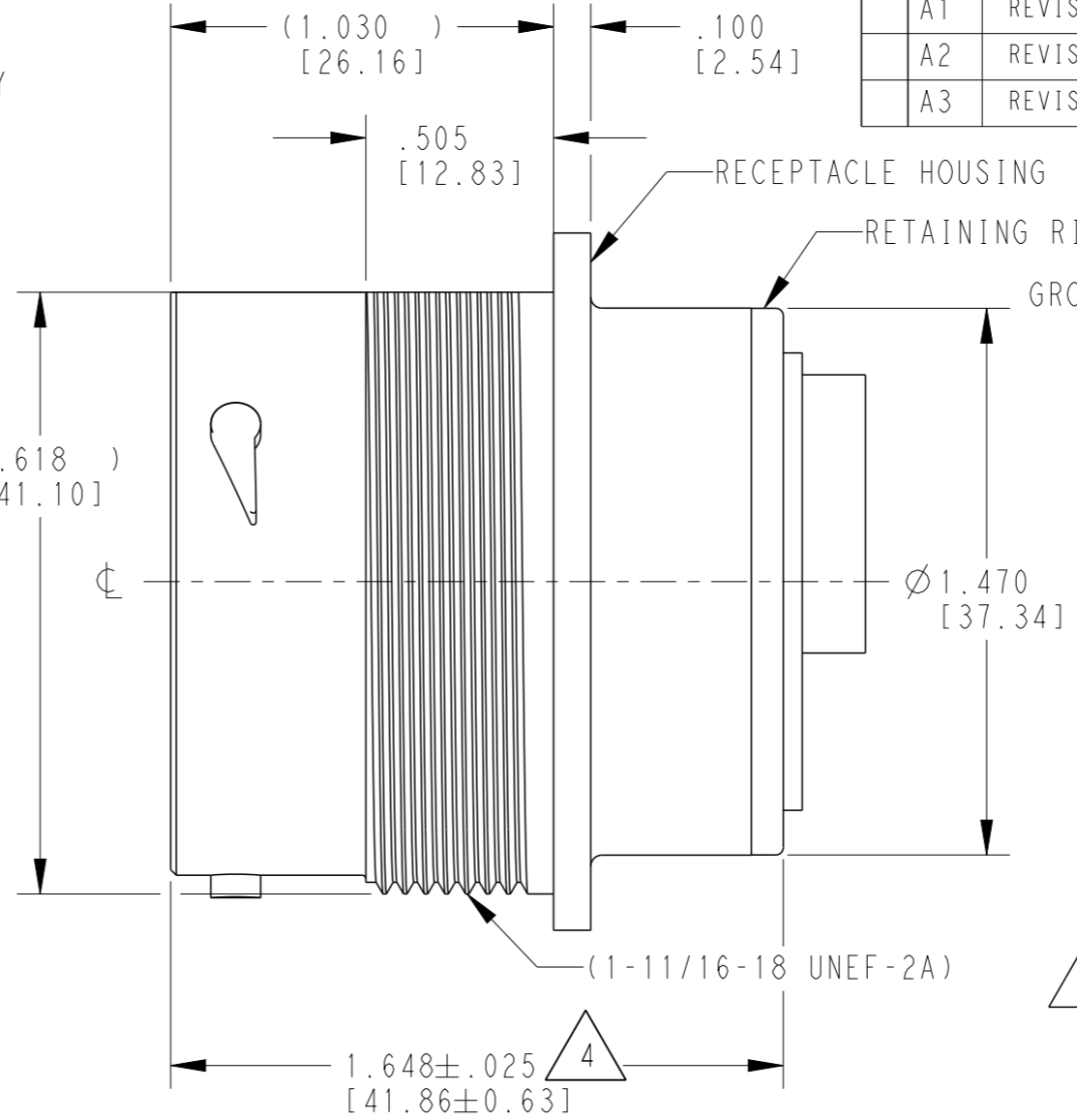
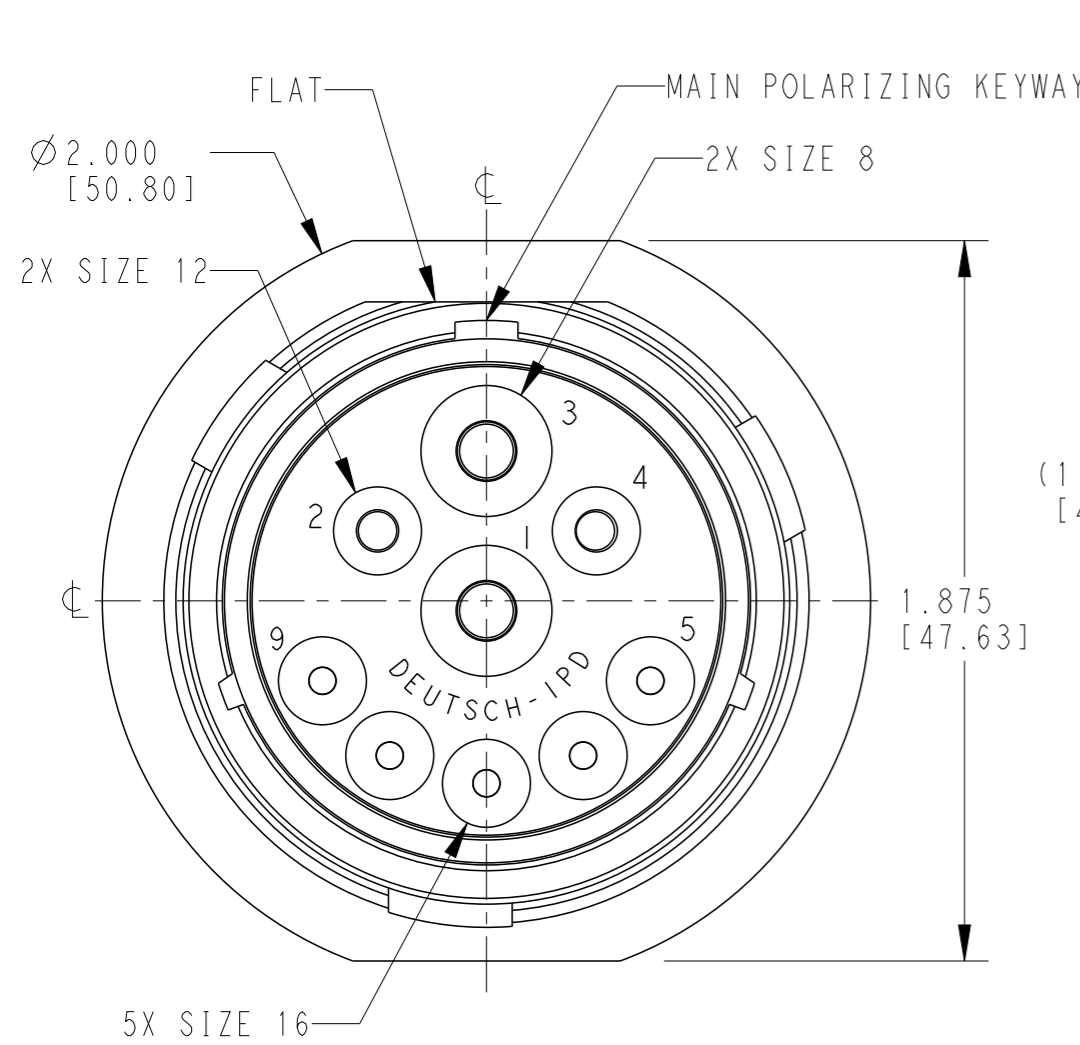


LOC		DIST		REVISIONS			
P	LTR	DESCRIPTION	DATE	DWN	APVD		
	A	REVISED PER ECO-14-019072	23FEB2015	JA	DM		
	A1	REVISED PER ECO-16-006700	10MAR2016	CS	DM		
	A2	REVISED PER PCN E-16-012386	01MAR2017	DD	DM		
	A3	REVISED PER PCN E-21-000055	13JAN2021	CO	IG		



- 6. PART MODIFICATION:
ELIMINATES JUMPER SEAL PLUG AND CONTACT
- 5. RECEPTACLE IS SUPPLIED WITH DUST CAP (2415-001-2405).
- 4 NOTED DIMENSION DOES NOT INCLUDE GROMMET PROTRUSION.
- 3 MATERIAL: RECEPTACLE HOUSING: PA66 GF10 (BLACK)
RETAINING RING: PA66 GF10 (GREEN, BLUE)
GROMMET: SILICONE (ORANGE-RED)

7 DATE CODE: IDENTIFIES THE YEAR, MONTH, DAY AND HOUR OF ASSEMBLY.
 YEAR: FIRST AND SECOND DIGITS. (14 = 2014)
 MONTH: THRID DIGIT, EXCLUDING I. A = JAN., B = FEB., C = MARCH... (K = OCTOBER)
 DAY: FOURTH AND FIFTH DIGITS (14 = 14th DAY)
 HOUR: SIXTH AND SEVENTH DIGITS (11 = 11AM)

- 2 SEE 0425-021-0000 APPLICATION SPECIFICATION
A. RECOMMENDED WIRE INSULATION RANGE
B. CONTACT REMOVAL TOOLS
C. RECOMMENDED MOUNTING HOLE & PANEL THICKNESS
D. MOUNTING HARDWARE & MOUNTING TORQUE
- 1. THIS RECEPTACLE MATES WITH HDP26-24-91SX-XXXX PLUG
X = SEAL TYPE (N,T,E)
XXXX = ALL MODIFICATIONS

NOTES:

SCALE 3:4	
TE INTERNAL PN	DEUTSCH PN
HDP24-24-91PN-P064	HDP24-24-91PN-P064
2301337-1	HDP24-24-91PE-P064

THIS DRAWING IS A CONTROLLED DOCUMENT.		DWN 23FEB2010 ALDO MALAGON	TE Connectivity	
DIMENSIONS: INCHES [mm]		CHK 26FEB2010 BRICE BYFORD		
TOLERANCES UNLESS OTHERWISE SPECIFIED:		APVD 26FEB2010 STEVE BEARD	NAME RECEPTACLE, THREADED SIZE 24 HDP SERIES	
0 PLC ± 1 PLC ± 2 PLC ± 3 PLC ±.015 [0.38] 4 PLC ± ANGLES ±0°30'0"		PRODUCT SPEC 0425-021-0000	SIZE A3	
MATERIAL		APPLICATION SPEC	CAGE CODE 4AFU8	DRAWING NO HDP24-24-91PX-P064
FINISH N/A		WEIGHT 56.56g	RESTRICTED TO -	
Customer Drawing		SCALE 2:1	SHEET 1 OF 1	REV A3