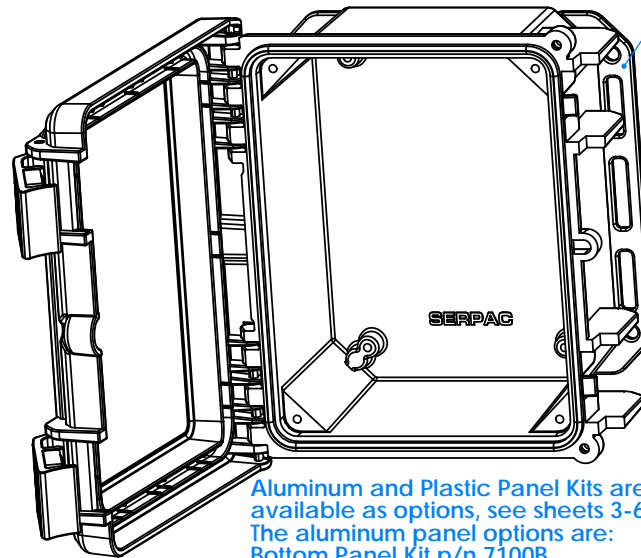
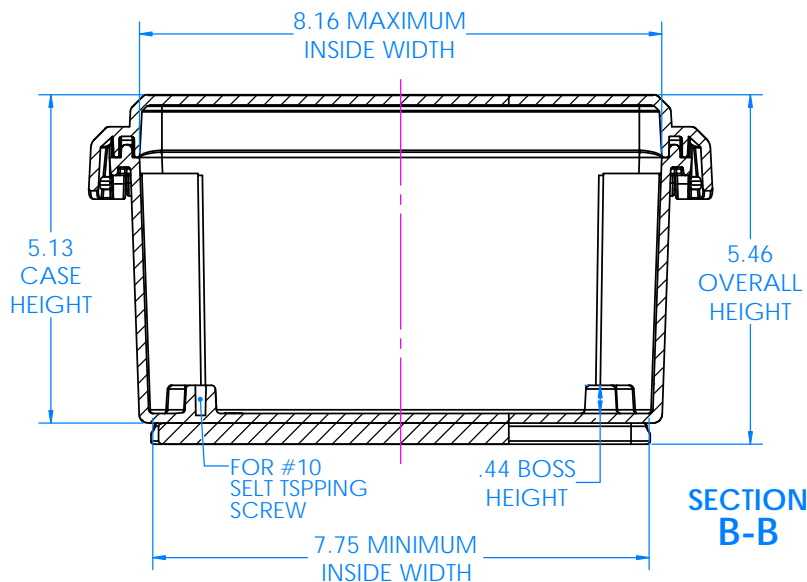
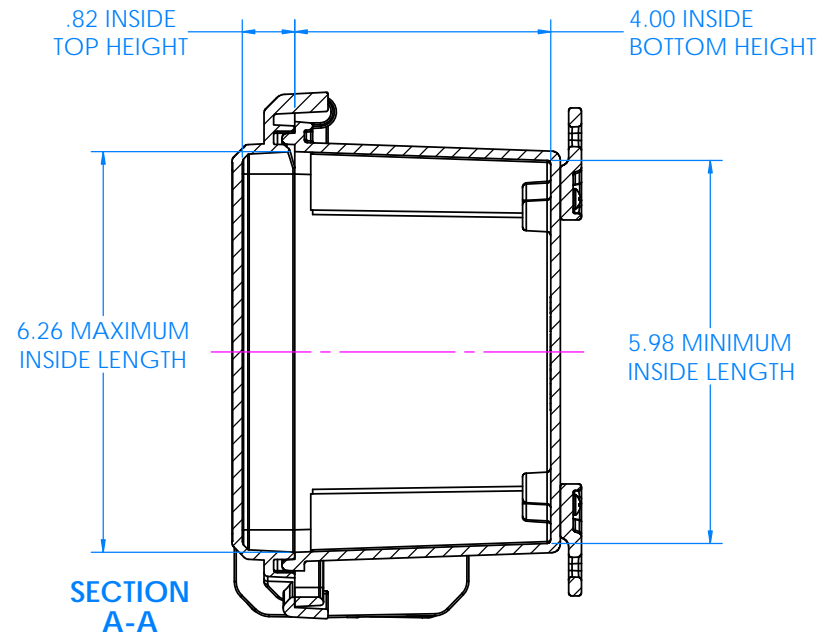
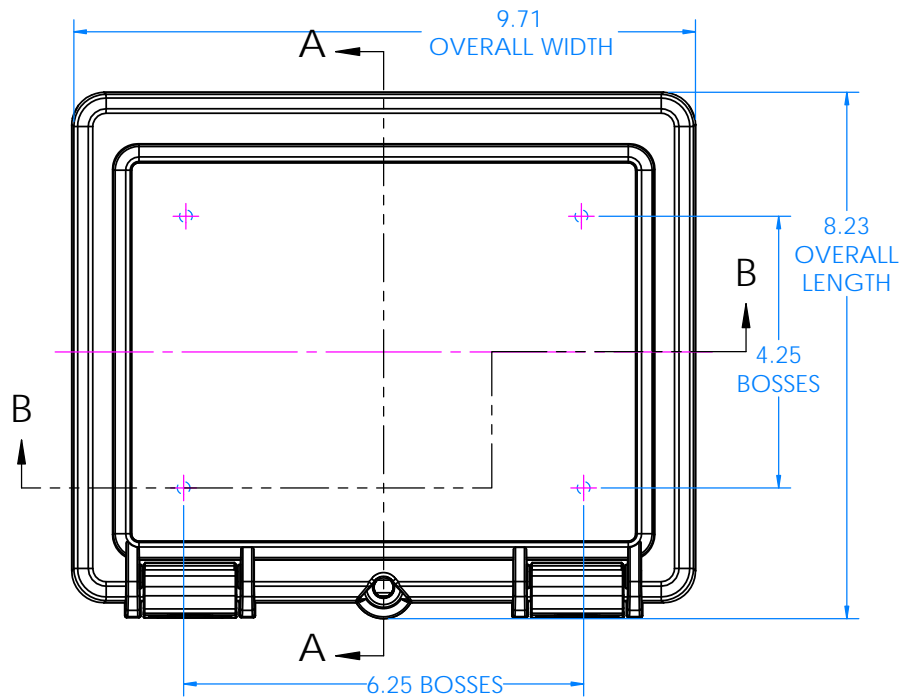


SERPAC I152HL

Electronic Enclosures



2 Mounting Brackets included, see sheet 2 for dimensions and for optional mounting Corner Feet and Brackets.

-Material: UV stabilized Polycarbonate
Flammability UL 94 V-2
-Watertight enclosure meets or exceeds Nema 4 and or IP67.

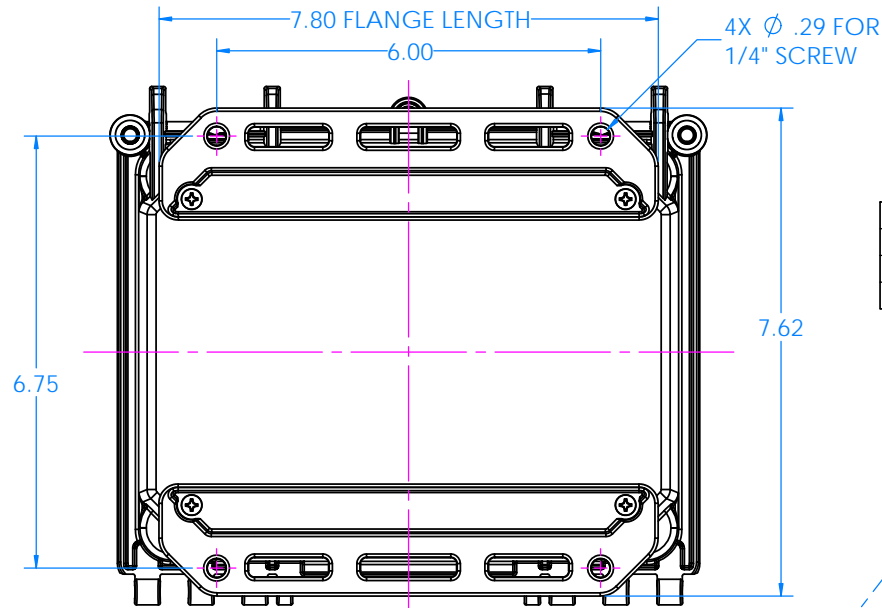
PARTS INCLUDED		
P/N	Qty.	Description
I152HLT	1	I152 Hinge Latch Top
I150HLB	1	I150 Hinge Latch Bottom
7011PCM	2	Safety Latch for I-Series (PC)
8150	1	150 O-Ring
1305	2	Mounting Bracket
6028	4	SS #10 X 5/8" Pan H/L

Aluminum and Plastic Panel Kits are available as options, see sheets 3-6. The aluminum panel options are:
Bottom Panel Kit p/n 7100B
Top Panel Kit p/n 7100T
Hinged Panel Kit p/n 7100TH
The plastic panel option is:
Hinged Panel Kit p/n 7100HP

SERPAC I152 Mounting Bracket Dimensions

Electronic Enclosures

TOP & LATCHES REMOVED FOR CLARITY FROM ALL VIEWS

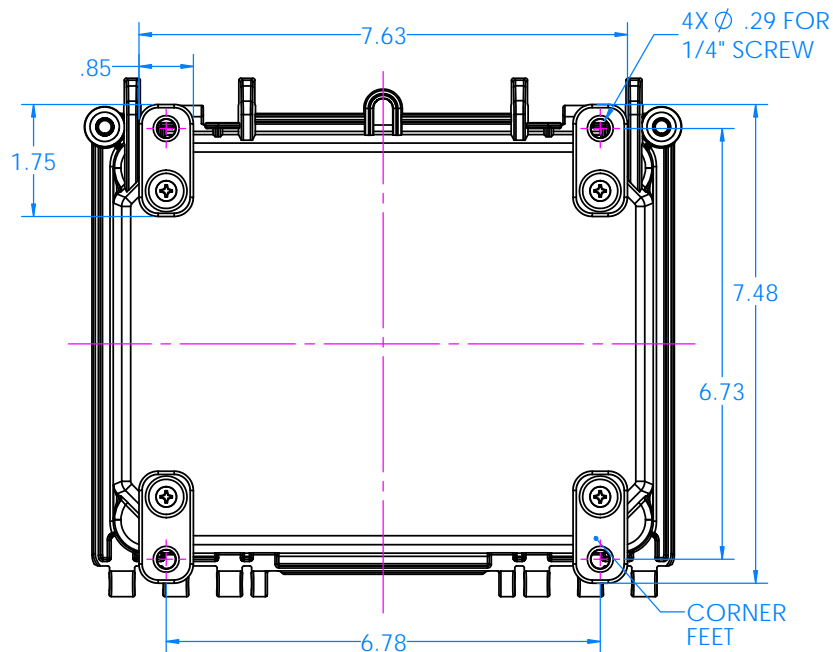


INCLUDED STANDARD MOUNTING BRACKETS

PARTS INCLUDED		
P/N	Qty.	Description
1305	2	Mounting Bracket
6028	4	SS #10 X 5/8" Pan Combo H/L Screw

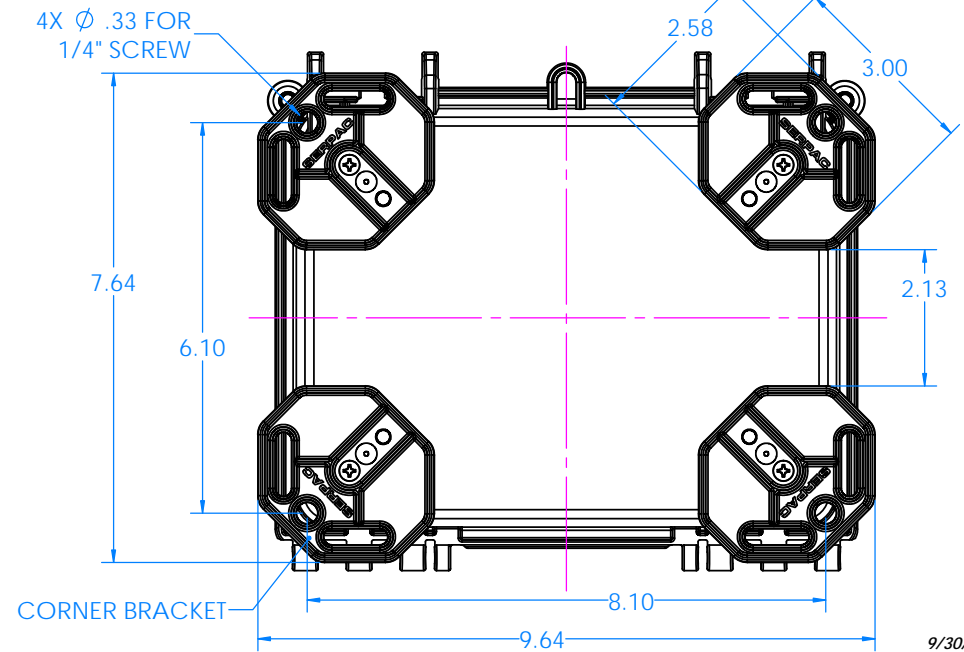
OPTIONAL CORNER FEET

PARTS INCLUDED		
P/N	Qty.	Description
1306	4	Mounting Corner Feet
6028	4	SS #10 X 5/8" Pan Combo H/L Screw

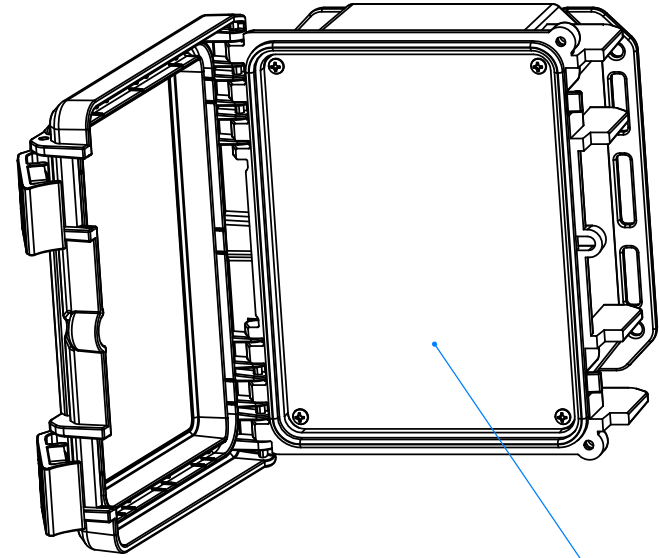
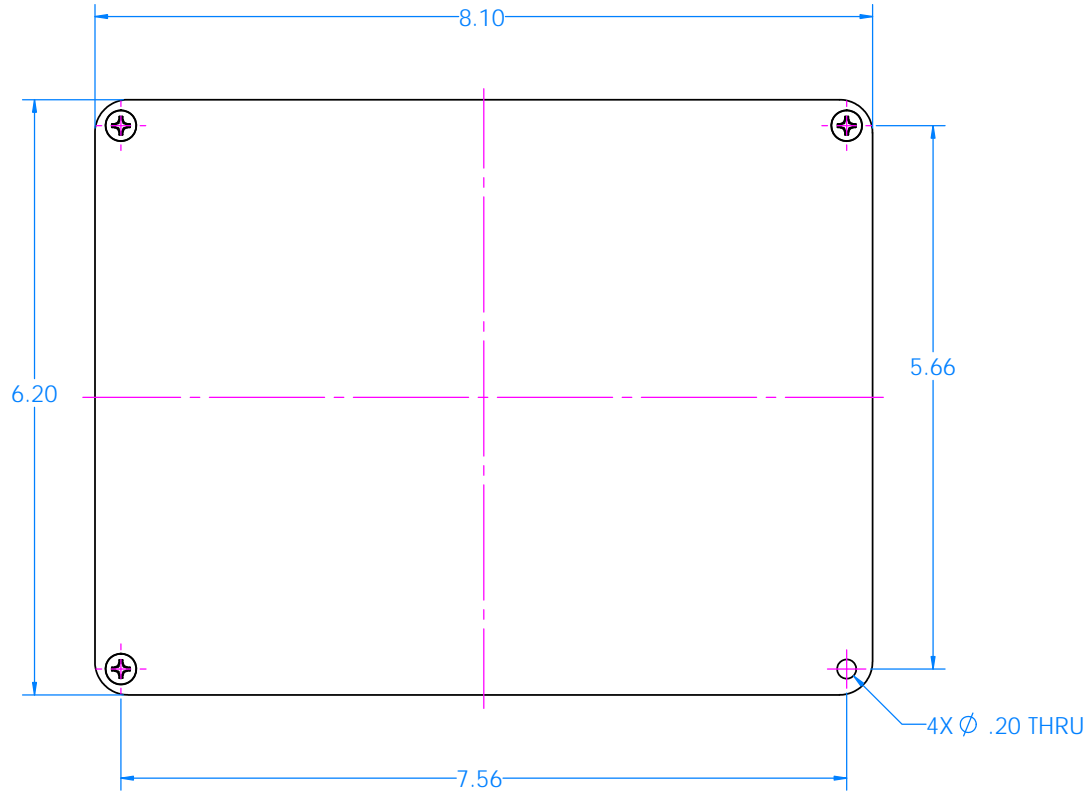


OPTIONAL CORNER BRACKETS

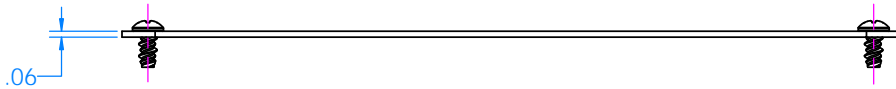
PARTS INCLUDED		
P/N	Qty.	Description
1355	4	Mounting Corner Bracket
6028	4	SS #10 X 5/8" Pan Combo H/L Screw



7100T Top Panel Kit for I152HL and I152HS

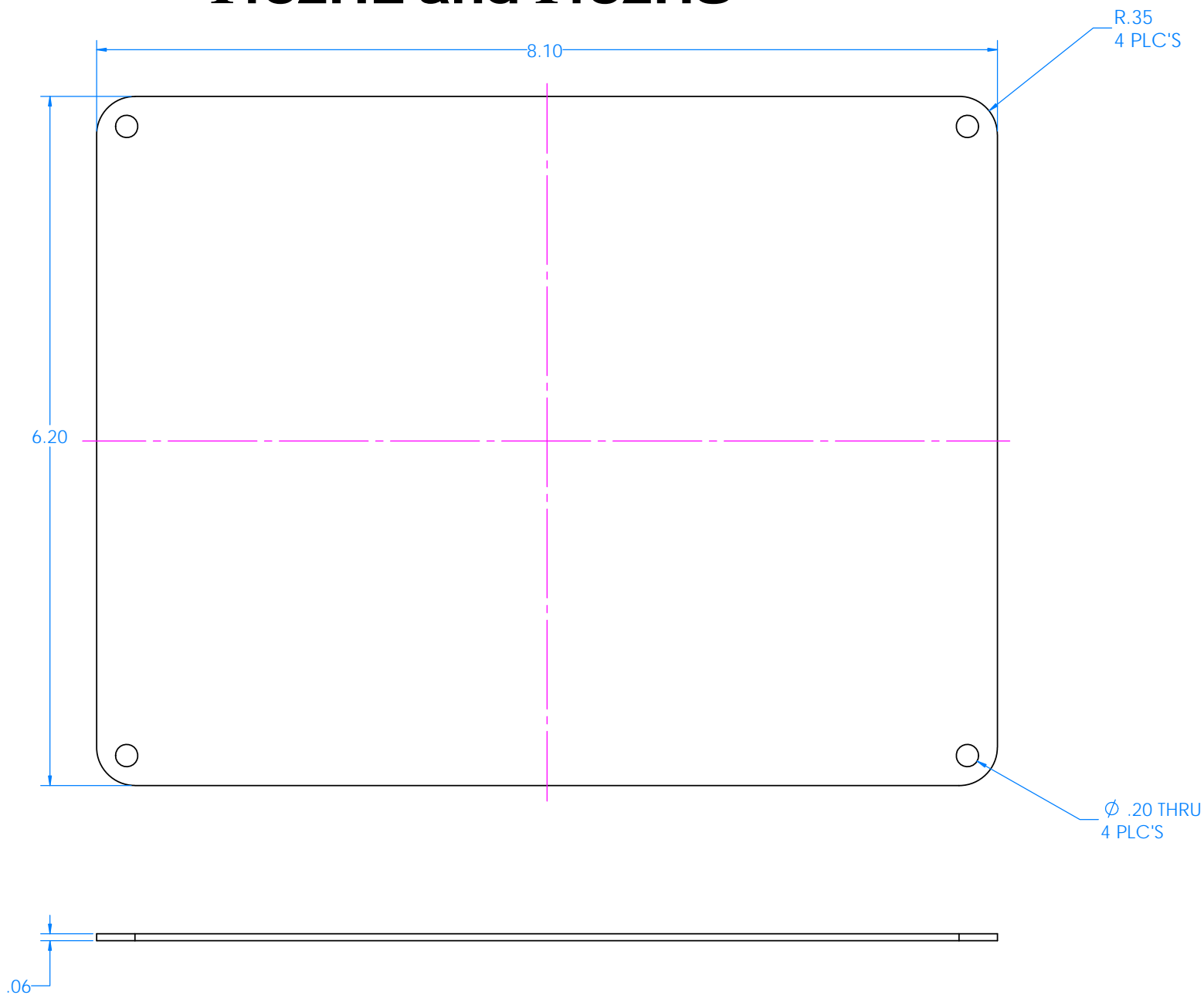


OPTIONAL ACCESSORY

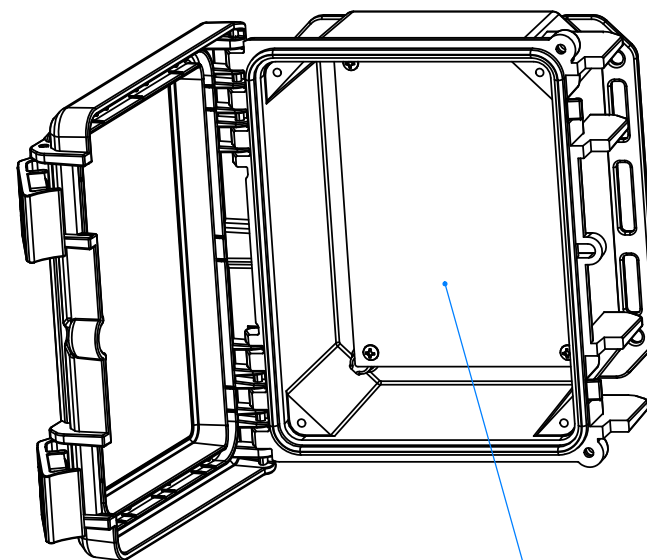
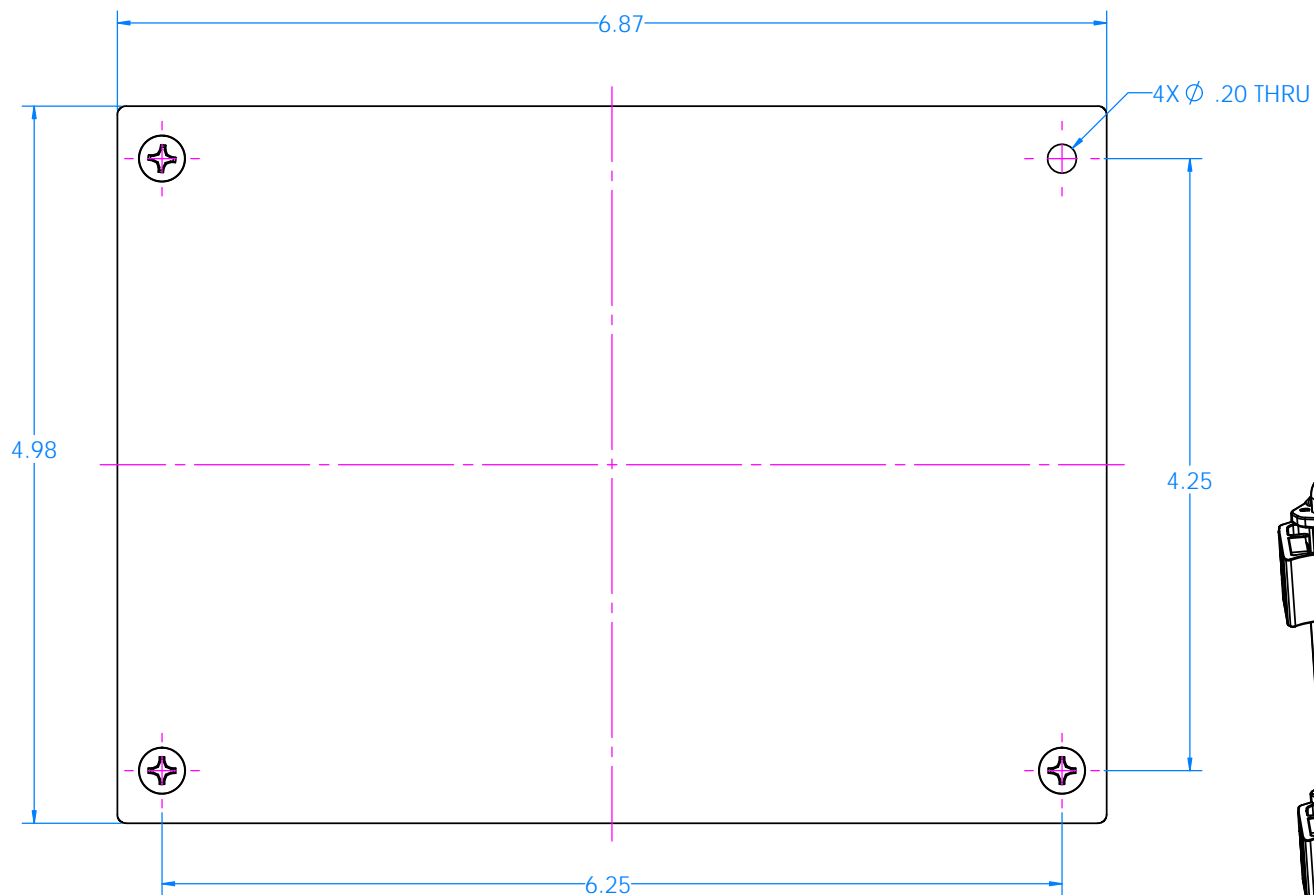


PARTS INCLUDED		
P/N	Qty.	Description
71040	1	Top Aluminum Panel
6029	4	SS #10 X 3/8" Pan HL Screw

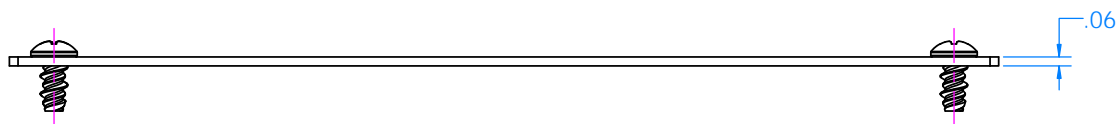
71040 AP-1 Main Alum Panel I152HL and I152HS



7100B Bottom Panel Kit for I152HL and I152HS

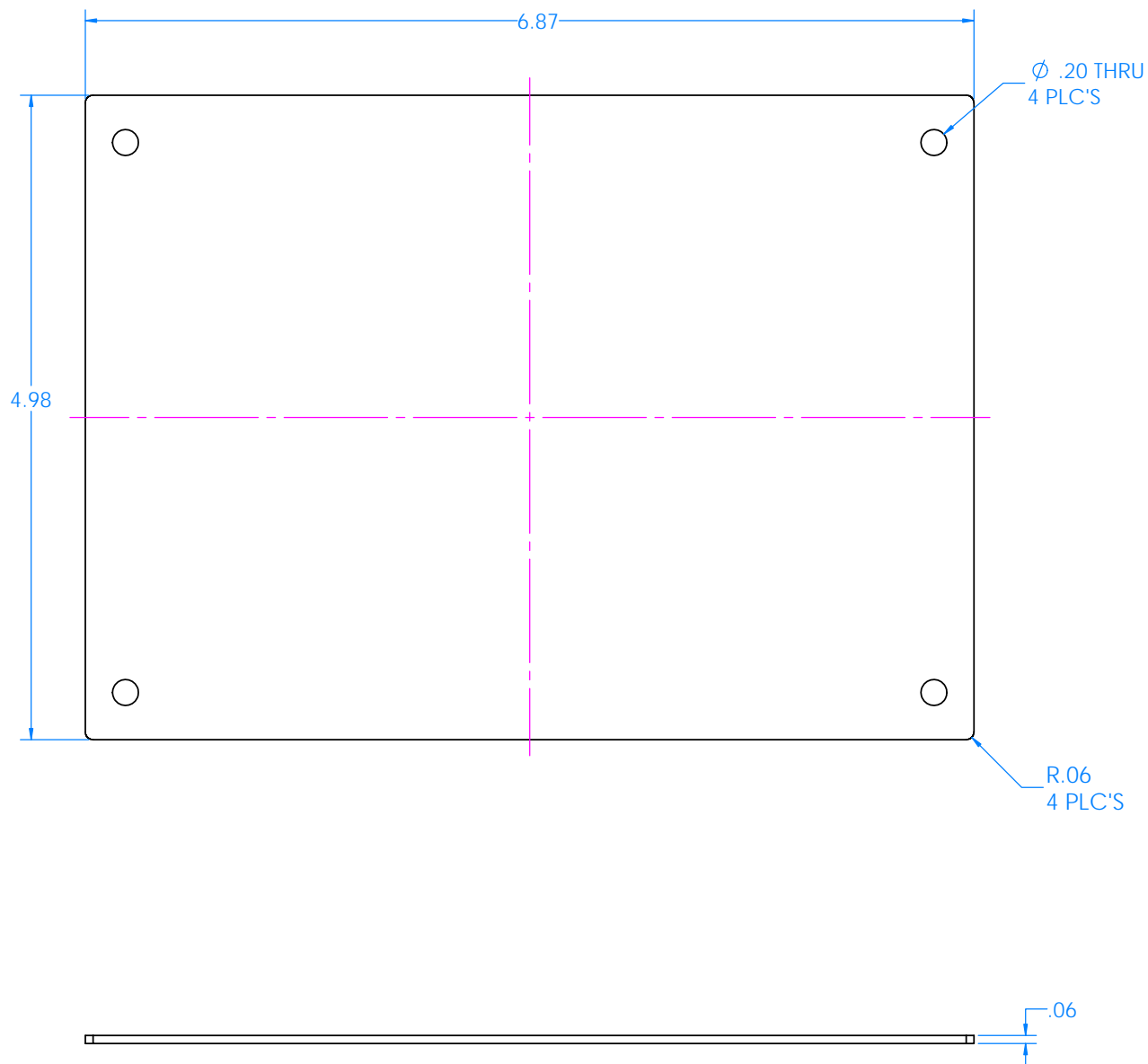


OPTIONAL ACCESSORY

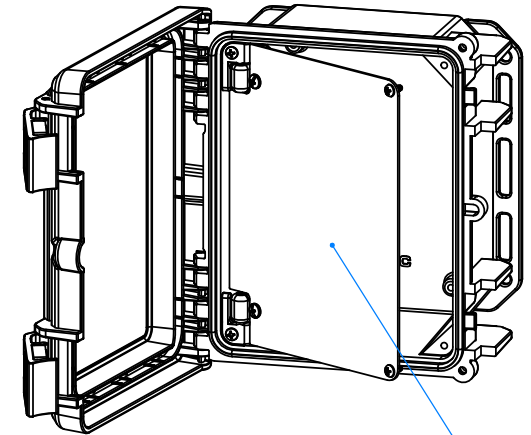
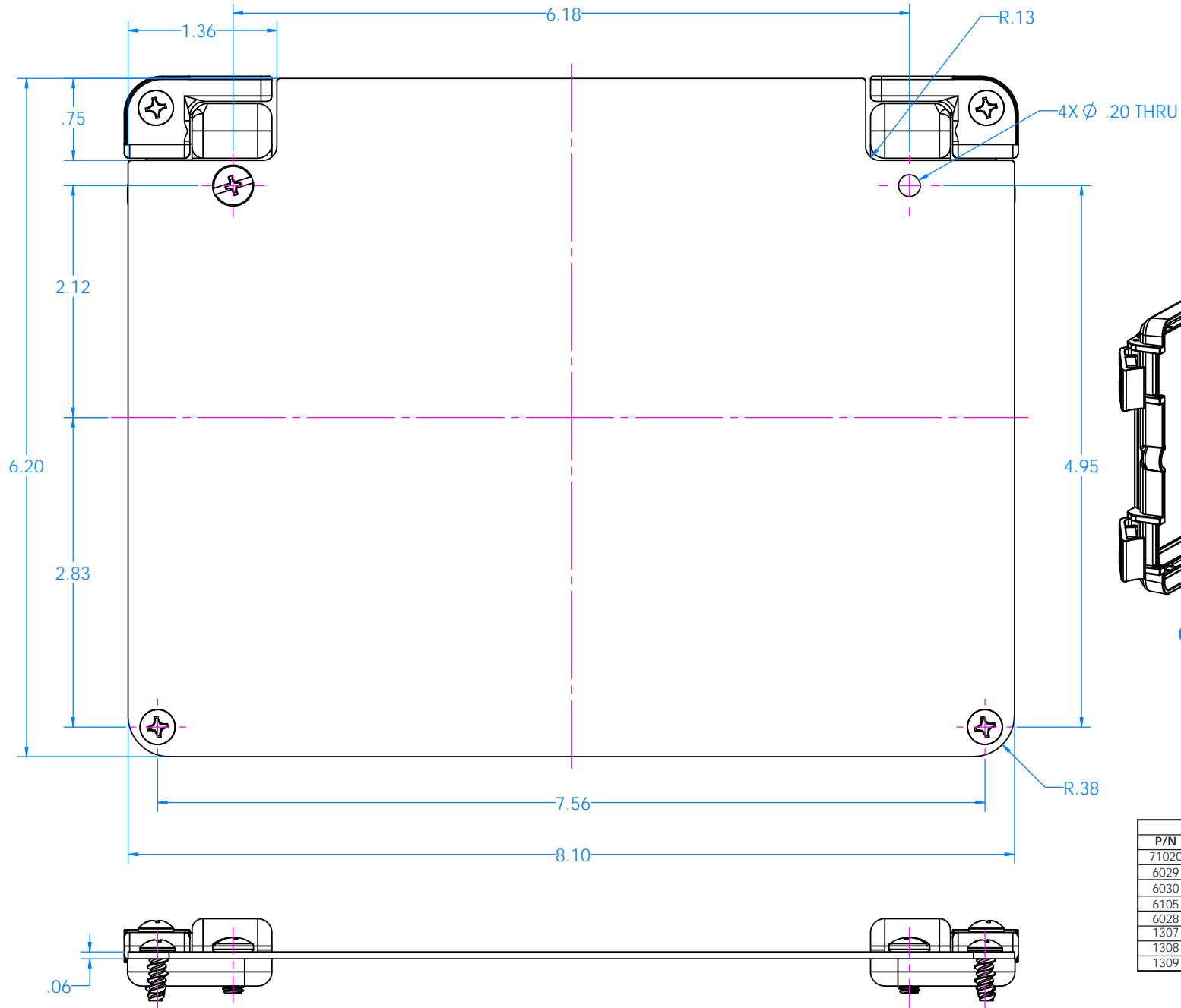


PARTS INCLUDED		
P/N	Qty.	Description
71000	1	Bottom Aluminum Panel
6029	4	SS #10 X 3/8" Pan HL Screw

7000 AP-3 Bottom Alum Panel I152HL and I152HS



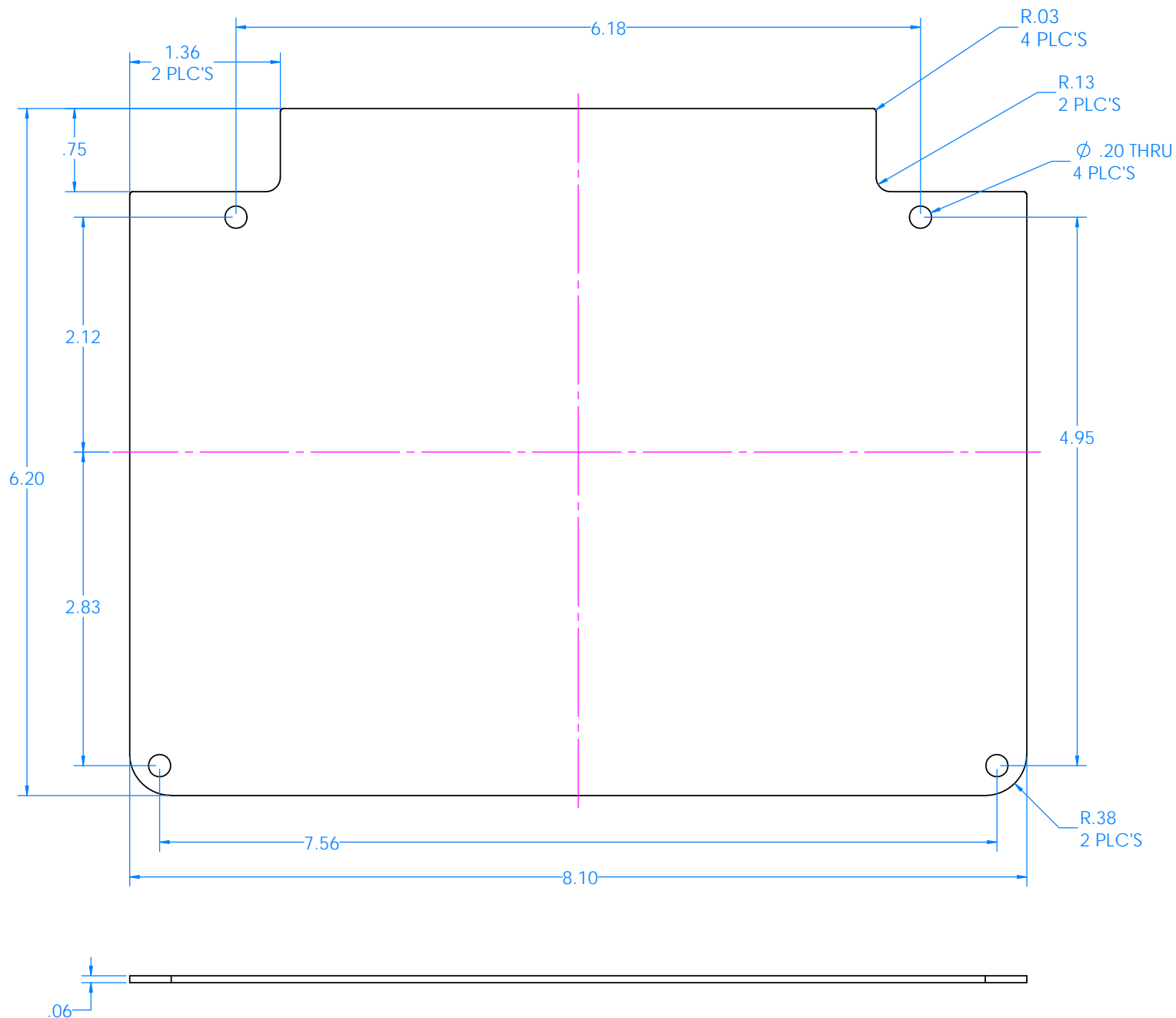
7100TH Hinged Top Panel Kit for I152HL and I152HS



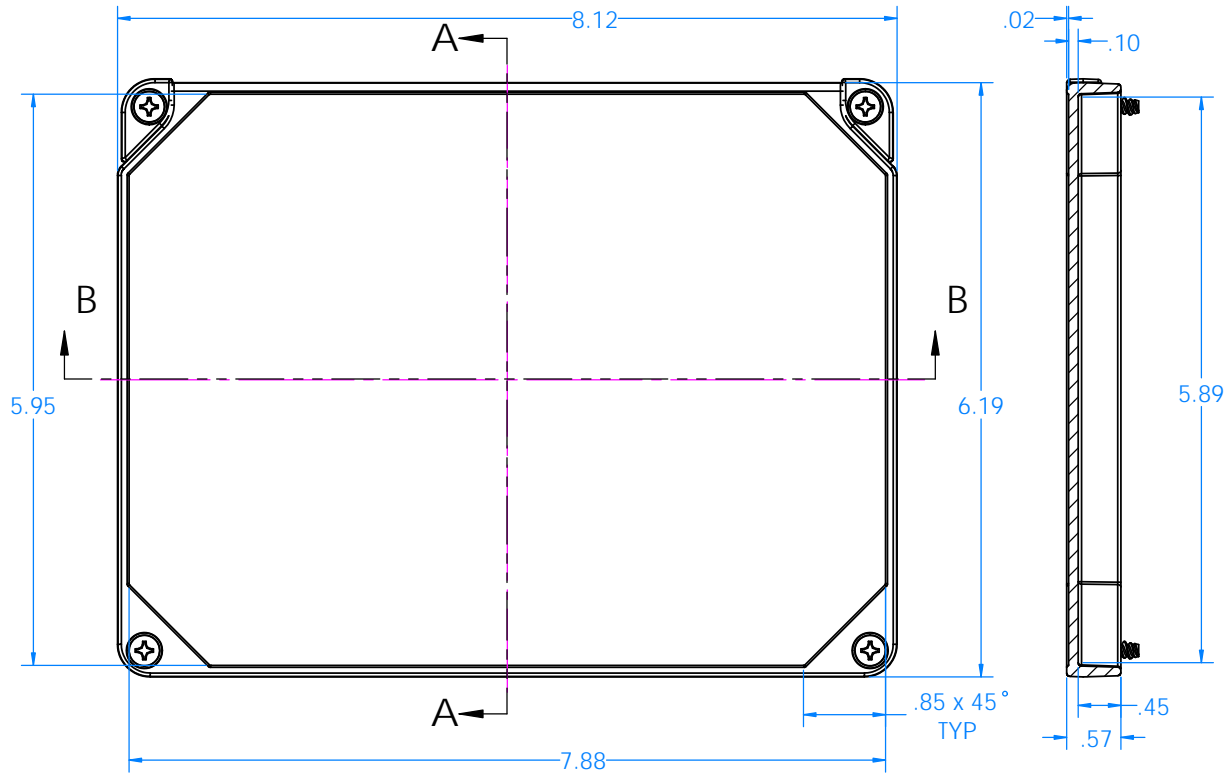
OPTIONAL ACCESSORY

PARTS INCLUDED		
P/N	Qty.	Description
71020	1	Hinged Top Aluminum Panel
6029	2	SS #10 X 3/8" Pan HL Screw
6030	2	SS #10-32 X 3/8" Pan Combo Screw HL Screw
6105	2	SS #10-32 X1/8" Nut
6028	2	SS #10 X 5/8" Pan Combo HL Screw
1307	2	Hinge Pin
1308	1	Panel Hinge A
1309	1	Panel Hinge B

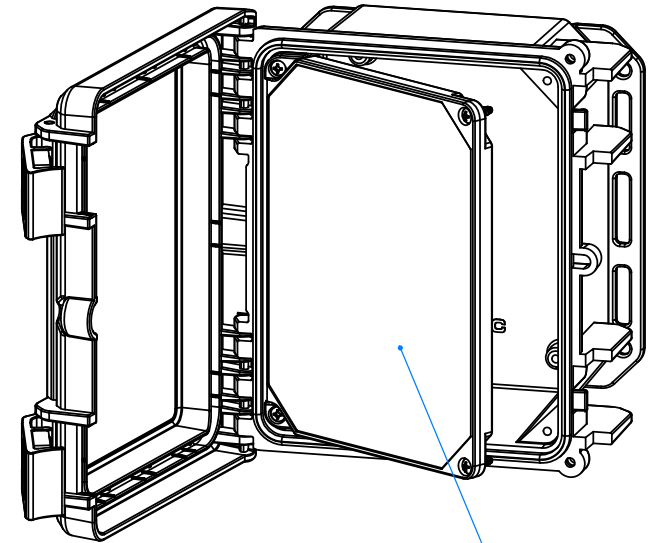
71020 AP-2 Hinged Alum Panel I152HL and I152HS



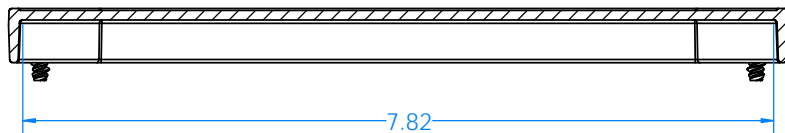
7100HP Hinged Top Plastic Panel Kit for 152HL and 152HS



SECTION
A-A



OPTIONAL ACCESSORY



SECTION
B-B

Parts Included		
P/N	Qty.	Description
71021	1	Hinged Top Plastic Panel
1310	1	Hinge - Left
1311	1	Hinge - Right
6028	4	SS #10 X 5/8" Pan Combo H/L Screw

71021 Hinged Top Plastic Panel

152HL and 152HS

