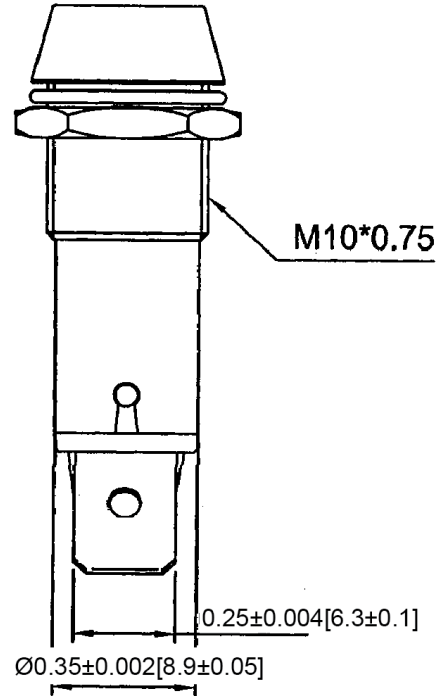
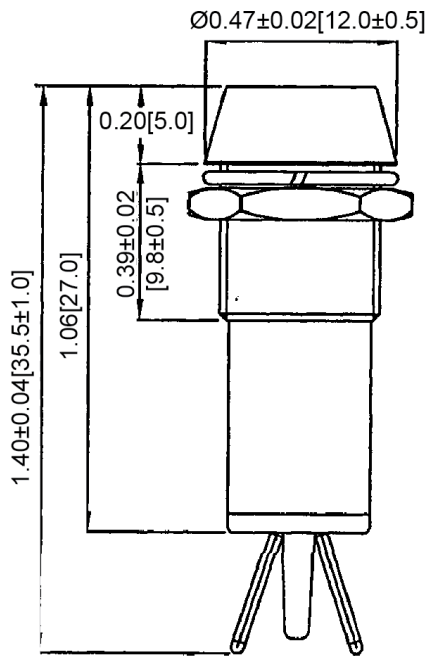


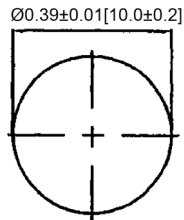
Mechanical Dimensions: Inches [mm]

Tolerances ± 0.012 [0.3] Unless Otherwise Specified

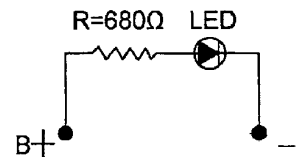


LED Color	Green
Lens Color	Green

Mounting Hole



Circuit Diagram



Electrical Specifications

Voltage Rating	12VDC
Insulation Resistance	DC 500V 100M ohms
Dielectric Strength	AC 1500V 1 min
Operating Temperature	-20°C ~ 80°C

Material Specifications

LED Size	5mm
Body	Nylon (UL94V-2)
Base	PF (UL94V-1)
Terminal	Brass, Nickel Plated

Rev **Date of issue** **Revision Notes**

Designed **Approved**

A	11-30-2020	Initial Drawing	RC	OF
---	------------	-----------------	----	----