

M29504/15-4171C (CAGE Code 6FBA1)

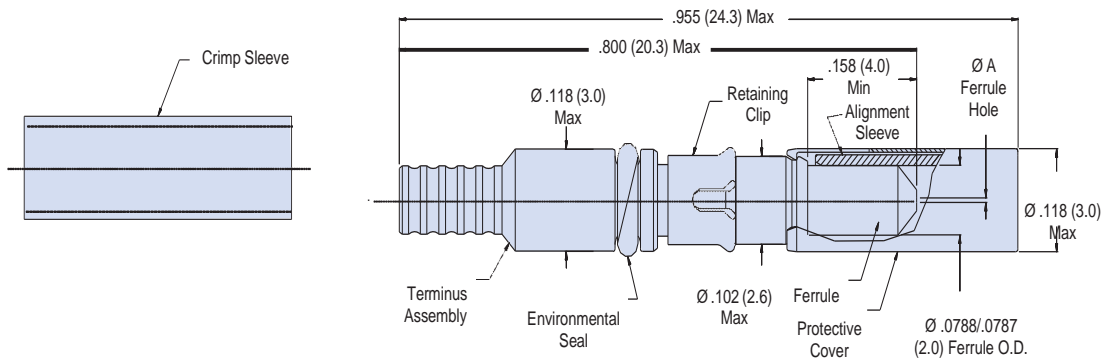
181-040 Commercial Part Number

Size 16 M29504/15 fiber optic socket terminus for MIL-PRF-28876 connector

Part Number	ØA (Microns)	Fiber Type	Fiber Size Core Cladding (Microns)
M29504/15-4171C	126	Multi-Mode	50/125, 62.5/125

Tools and Accessories

Part Number	Description
265-008	Crimp Sleeve Ø 2.4mm Max Jacket (Mil-Spec Type)
265-010	Alignment Sleeve Assembly
182-012	Crimp Tool
182-013	Insertion Tool, Straight
182-014	Insertion Tool, 90°
182-015	Removal Tool
182-016	Alignment Sleeve Assembly Insertion/Removal Tool
182-035	Hand Polishing Tool



Material and Finish

Alignment Sleeve, Ferrule: Zirconia Ceramic. Protective cover: Spring Alloy / Nickel. Terminus Assembly: Stainless Steel / Passivate. Retaining Clip: Spring Alloy. Seal: Fluorosilicone.

Crimp Sleeve: Brass Alloy / Nickel.

Notes

- Crimp sleeve is supplied with terminus assembly and may be ordered separately (see Table II). For terminus less crimp sleeve omit **C** from end of part number.
- Alignment sleeve assembly is supplied with terminus assembly (packaged loose) and may be ordered separately (see accessories). For terminus less alignment sleeve assembly, add **N** to end of part number (e.g. 181-040-1260**CN**).
- Dummy Terminus: Part Number 181-051 or M29504/3-4038.