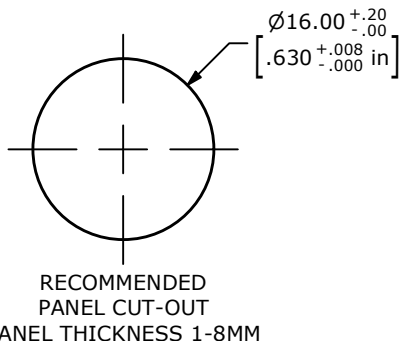
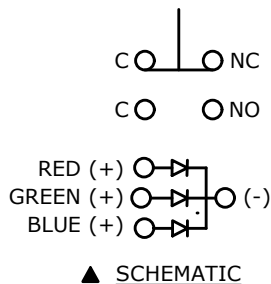
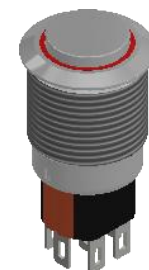
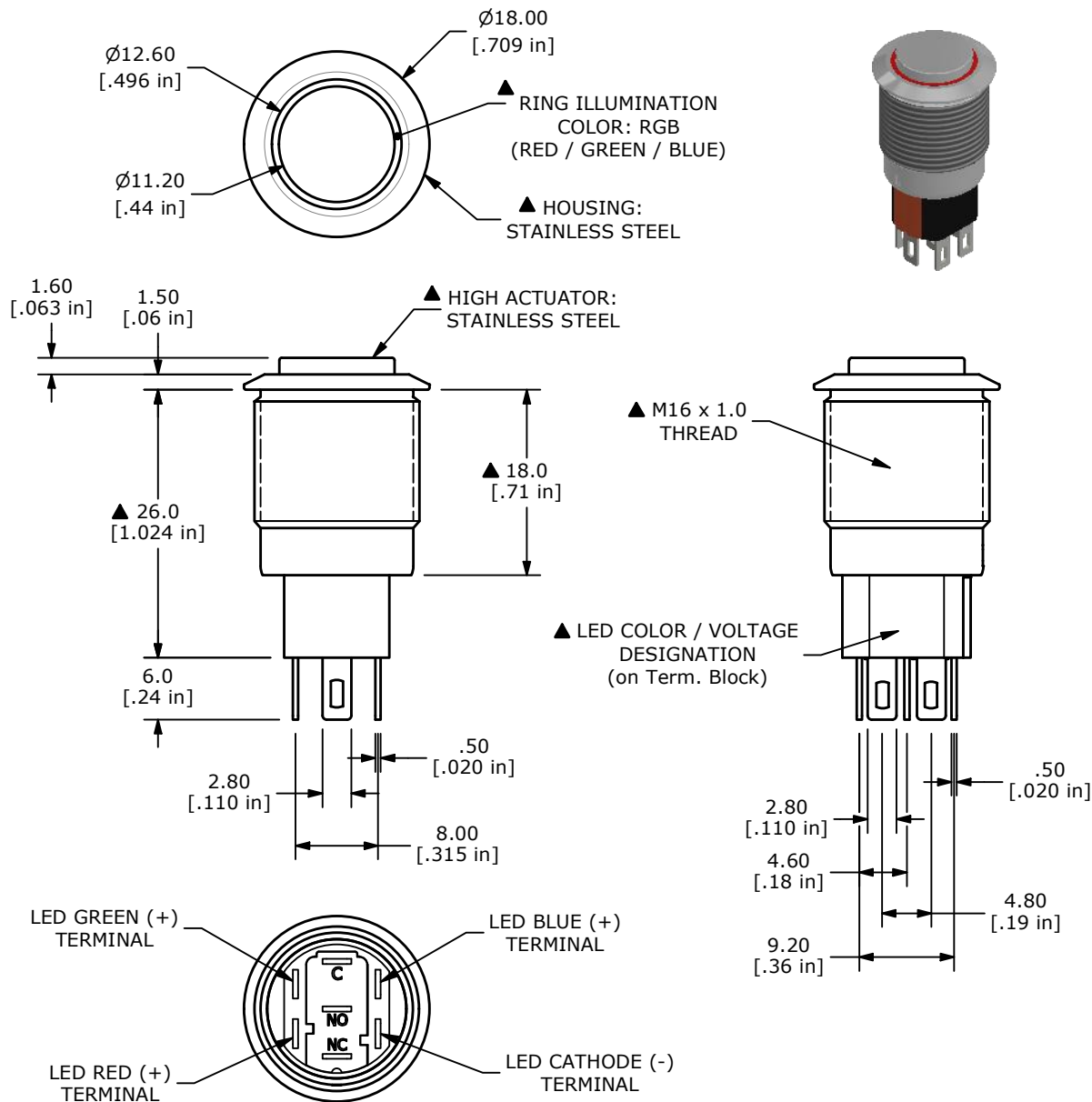


SWITCH FUNCTION	
POS. 1	POS. 2
ON	ON
C - NC	C - NO



NOTE:

- ALL DIMENSIONS IN mm [INCH]
- GENERAL TOLERANCE: X.X = ±0.4
X.XX = ±0.25
- TERMINAL NUMBERS FOR REF ONLY
- CONTACT MATERIAL: SILVER
- RATING: 2A 36VDC
- ELECTRIC LIFE: 50,000 MAKE-AND-BREAK CYCLES AT FULL LOAD.
- INSULATION RESISTANCE: 1,000 MΩ MIN.
- DIELECTRIC STRENGTH: 1,500 VAC MIN. FOR 1 MINUTE
- CONTACT RESISTANCE: 50mΩ MAX.
- OPERATING TEMP.: -25°C to 55°C
- TRAVEL: 3.0mm
- ▲ DENOTES CRITICAL PARAMETER
- ACTUATION FORCE: 1.7N NOMINAL
- INGRESS PROTECTION: IP65
- HARDWARE SUPPLIED: O-RING AND HEXNUT
- ▲ LAMP VOLTAGE: BASE VOLTAGE
1.8V RED; 2.8V GREEN; 2.8V BLUE



C	24575	UPDATE THREAD LENGTH TO 13.4	11/2/20	JM
B	23342	change location of color/voltage callout	5/2/18	MW
A	23163	New Release	1/12/18	RC
REV	PCR NO	DESCRIPTION	DATE	BY



TITLE PVA3H230SS3R1				
SCALE	DATE	DR	DWG	REV
3:2	1/12/2018	RC	52-PVA3H230SS3R1	C

THE INFORMATION CONTAINED IN THIS DOCUMENT IS PROPRIETARY TO E-SWITCH AND IS NOT TO BE COPIED OR TRANSFERRED