

THIS DRAWING IS UNPUBLISHED.

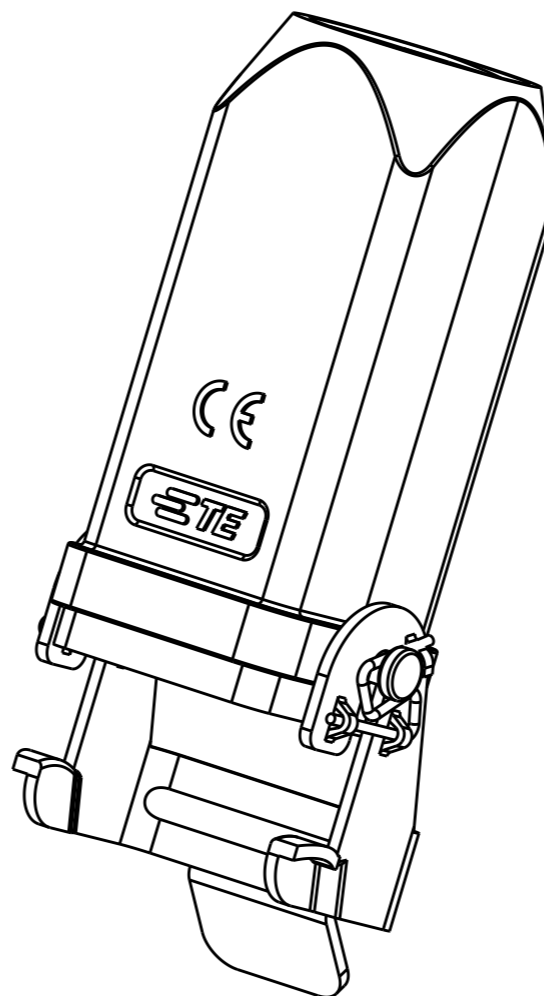
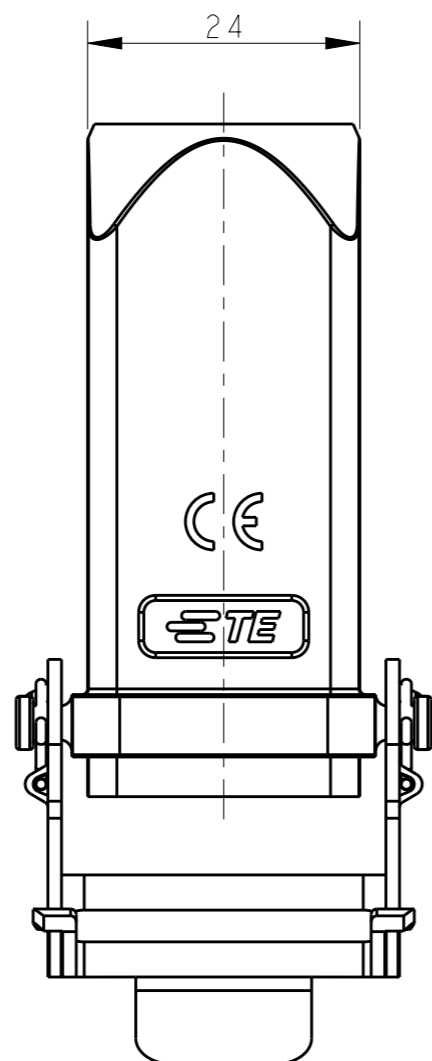
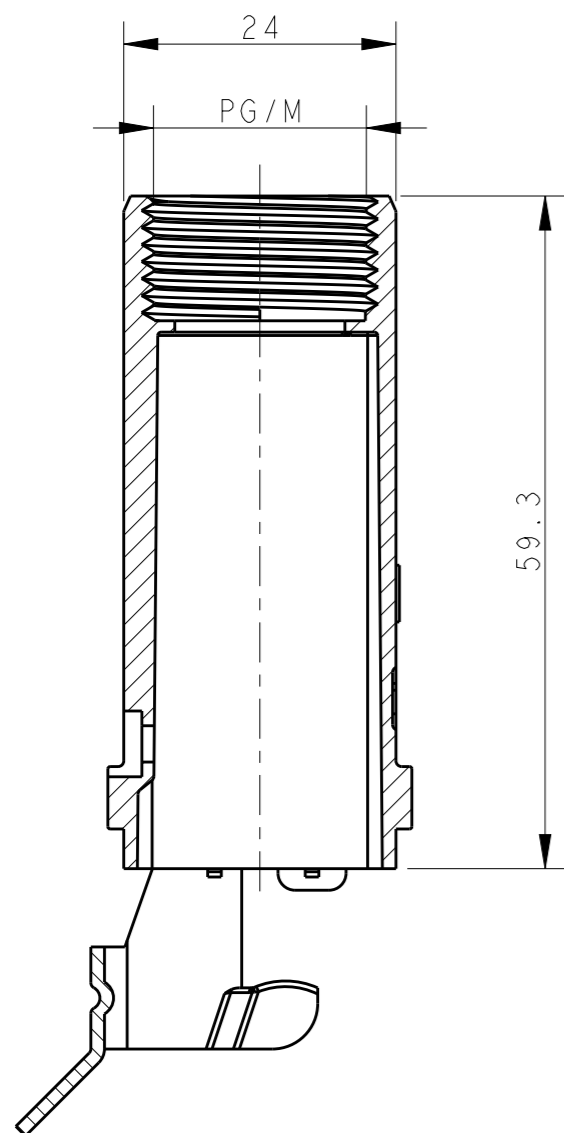
RELEASED FOR PUBLICATION

20

© COPYRIGHT 20 BY - ALL RIGHTS RESERVED.

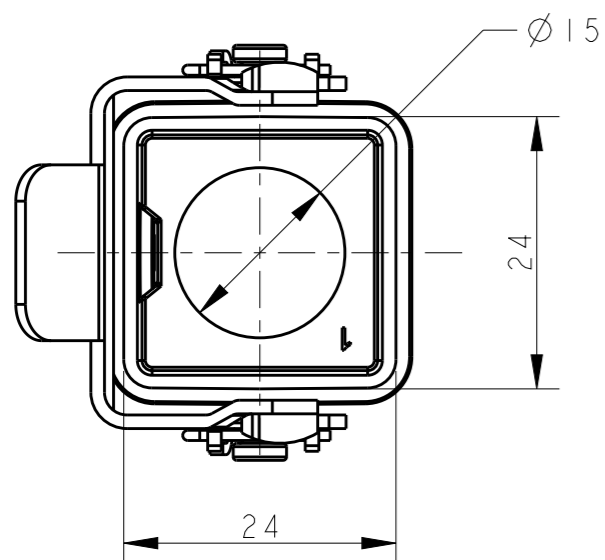
REVISIONS

P	LTR	DESCRIPTION	DATE	DWN	APVD
	A	INITIAL RELEASE	04MAY2015	DL	CW
	B	ECR-20-007782	24NOV2020	BS	CW




NOTES:
 1. TECHNICAL CHARACTERISTICS:
 BODY MATERIAL: DIE CAST ZINC ALLOY
 SURFACE TREATMENT: NI PLATED
 DEGREE OF PROTECTION: IP65 (MATED)

注释:
 1. 技术参数:
 主体材料: 锌合金
 表面处理: 镀镍
 防护等级: IP65(配合)



T1739035120-000	H3A-MTGVB-M20-EMC	M20
ASSEMBLY PART NUMBER	ASSEMBLY PART DESCRIPTION	PG/M

THIS DRAWING IS A CONTROLLED DOCUMENT.		DWN 04MAY2015 DAVID LI	 TE Connectivity NAME H3A-MTGVB-M20-EMC				
DIMENSIONS: mm		CHK 04MAY2015 CHRIS WANG					
TOLERANCES UNLESS OTHERWISE SPECIFIED:		APVD 04MAY2015 XU XIANG					
0 PLC ±- 1 PLC ±- 2 PLC ±- 3 PLC ±- 4 PLC ±- ANGLES ±-		PRODUCT SPEC 108-137012					
MATERIAL -		APPLICATION SPEC 114-137012	SIZE A3	CAGE CODE -	DRAWING NO. ©-T1739035120000	RESTRICTED TO	
FINISH -		WEIGHT -	CUSTOMER DRAWING		SCALE 3:2	SHEET 1 OF 1	REV B