

ULC1001 Configurable Ultrasonic PWM Modulator With I/V Sense Amplifiers

1 Features

- Integrated Programmable Cleaning Modes
 - Water (expelling)
 - Deice (melting and expelling)
 - Mud (dehydrating and expelling)
 - Auto-Cleaning (detecting and expelling)
 - Custom Cleaning Modes
- Embedded Algorithms
 - Lens System Calibration
 - Automatic Material Detection
 - Power Regulation
 - System Diagnostics
- System Diagnostics
 - DRV290x Fault Reporting
 - Lens System Fault
 - Transducer Temperature Regulation
- Wide Drive Frequency Range
 - High-Efficiency Direct Drive (25 kHz - 5 MHz)
 - AD Modulation (<50 kHz)
- I²C User Interface
- Clock Source Required
 - External Oscillator (10 MHz, 5 ppm recommended)
- Power Supplies
 - IOVDD: 3.3 V
- 32-pin, QFN-HR Package

2 Applications

- Thermal Imaging Camera
- Traffic Monitoring Camera
- Machine Vision Camera
- Wireless Security Camera
- Drone Vision

3 Description

The ULC1001 is a configurable PWM modulator with current and voltage sensing capabilities specifically for piezo based lens cleaning systems.

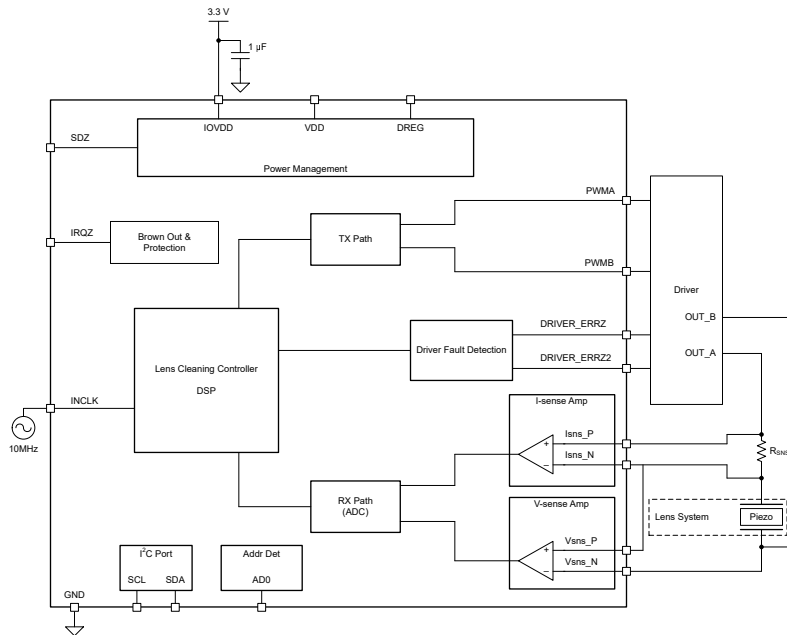
An on-chip, low-latency DSP supports Texas Instruments' proprietary algorithms designed for lens cleaning. The ULC1001 and DRV29xx work together to create an Ultrasonic Lens Cleaning system.

The ULC1001 device is available in a 32-pin QFN-HR package for a compact PCB footprint.

Device Information⁽¹⁾

PART NUMBER	PACKAGE	BODY SIZE (NOM)
ULC1001	HRQFN	4.5 mm × 5.0 mm

(1) For all available packages, see the orderable addendum at the end of the data sheet.



Simplified Block Diagram



Table of Contents

1 Features	1	5 Mechanical, Packaging, and Orderable Information	3
2 Applications	1	5.1 Package Option Addendum.....	4
3 Description	1	5.2 Tape and Reel Information.....	5
4 Revision History	2		

4 Revision History

NOTE: Page numbers for previous revisions may differ from page numbers in the current version.

Changes from Revision * (December 2020) to Revision A (December 2022)	Page
• Updated device status to production data.....	1

5 Mechanical, Packaging, and Orderable Information

The following pages include mechanical, packaging, and orderable information. This information is the most current data available for the designated devices. This data is subject to change without notice and revision of this document. For browser-based versions of this data sheet, refer to the left-hand navigation.

5.1 Package Option Addendum

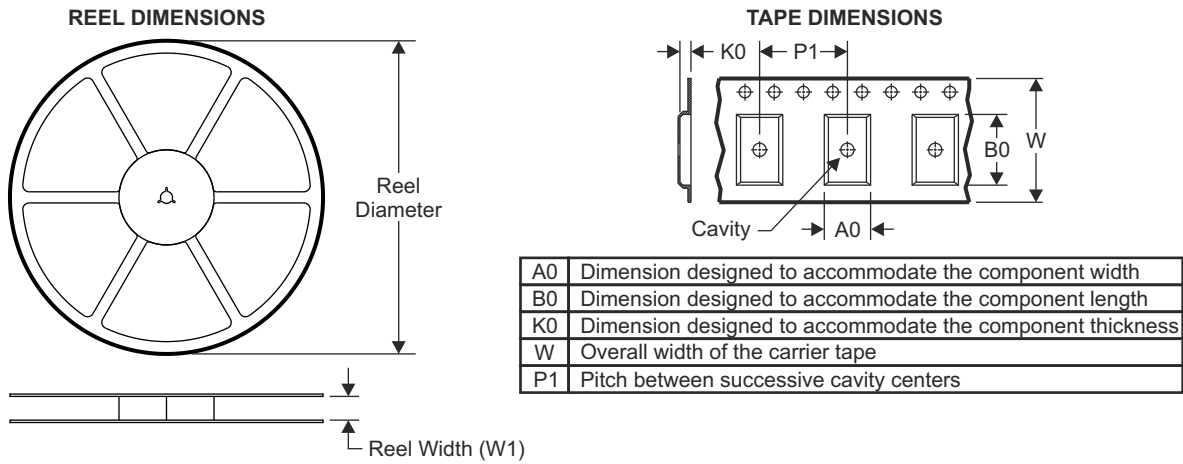
Packaging Information

Orderable Device	Status	Package Type	Package Drawing	Pins	Package Qty	Eco Plan	Lead/Ball Finish	MSL Peak Temp	Op Temp (°C)	Device Marking
ULC1001RQTR	ACTIVE	VQFN-HR	RQT	32	3000	RoHS & Green	NIPDAU	Level-1-260C-UNLIM	-40 to 125	1001 , ULC

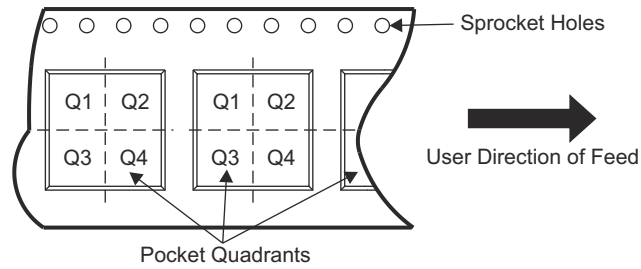
Important Information and Disclaimer: The information provided on this page represents TI's knowledge and belief as of the date that it is provided. TI bases its knowledge and belief on information provided by third parties, and makes no representation or warranty as to the accuracy of such information. Efforts are underway to better integrate information from third parties. TI has taken and continues to take reasonable steps to provide representative and accurate information but may not have conducted destructive testing or chemical analysis on incoming materials and chemicals. TI and TI suppliers consider certain information to be proprietary, and thus CAS numbers and other limited information may not be available for release.

In no event shall TI's liability arising out of such information exceed the total purchase price of the TI part(s) at issue in this document sold by TI to Customer on an annual basis.

5.2 Tape and Reel Information

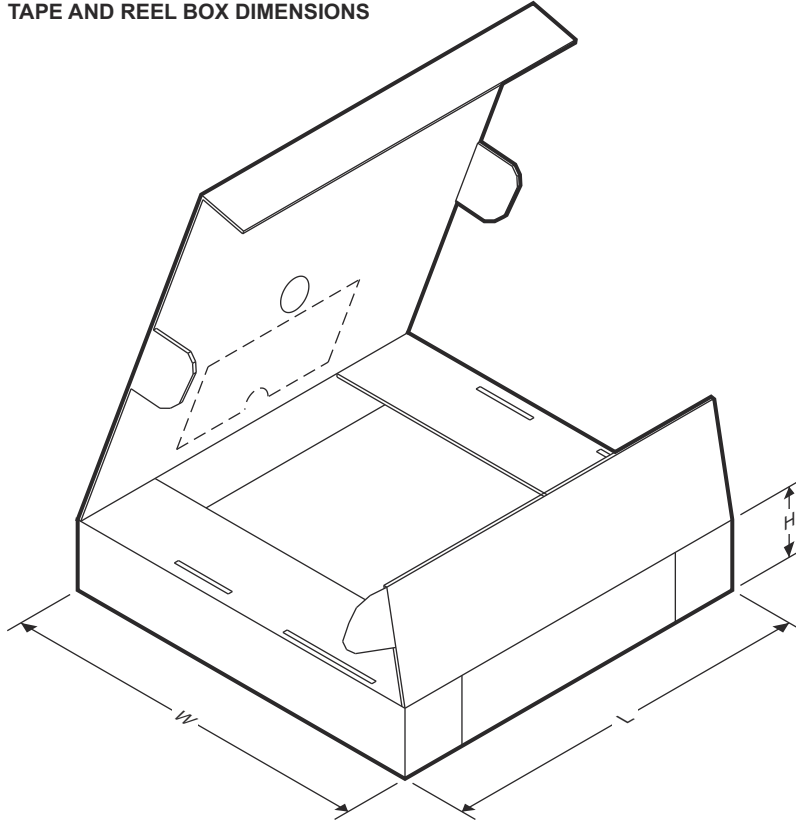


QUADRANT ASSIGNMENTS FOR PIN 1 ORIENTATION IN TAPE

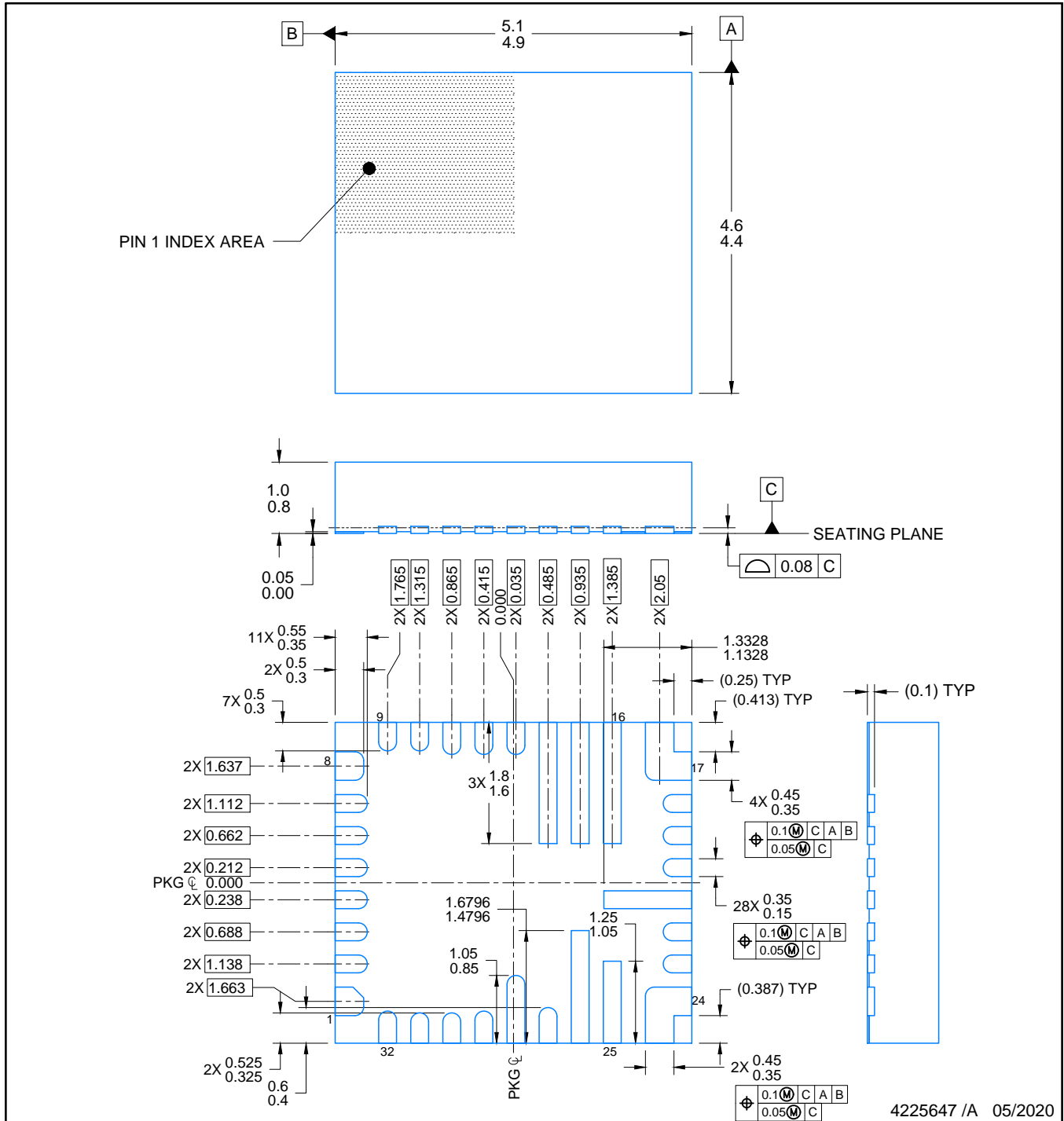


Device	Package Type	Package Drawing	Pins	SPQ	Reel Diameter (mm)	Reel Width W1 (mm)	A0 (mm)	B0 (mm)	K0 (mm)	P1 (mm)	W (mm)	Pin1 Quadrant
ULC1001RQTR	VQFN-HR	RTQ	32		330.0	12.4	4.8	5.3	1.15	8.0	12.0	Q1

TAPE AND REEL BOX DIMENSIONS

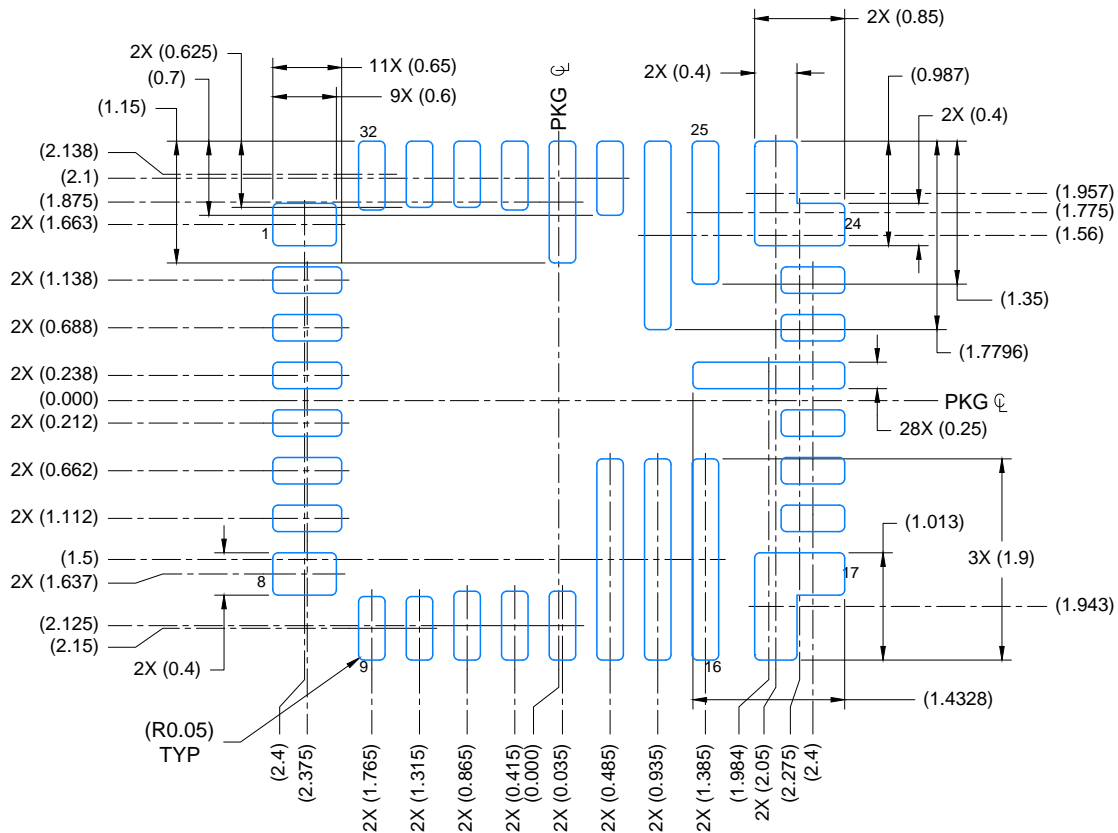


Device	Package Type	Package Drawing	Pins	SPQ	Length (mm)	Width (mm)	Height (mm)
ULC1001RQTR	VQFN-HR	RTQ	32	3000	367.0	367.0	35.0

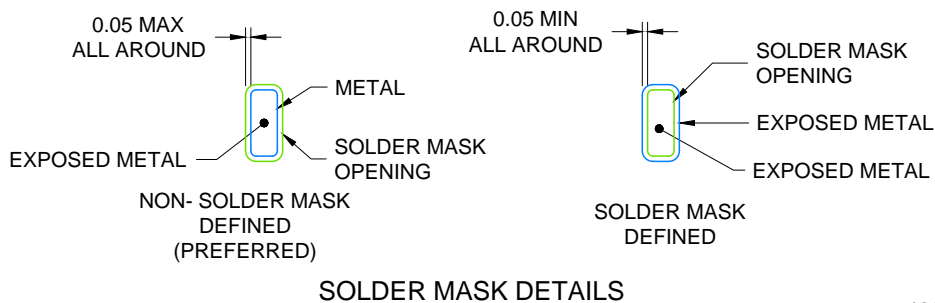


NOTES:

1. All linear dimensions are in millimeters. Any dimensions in parenthesis are for reference only. Dimensioning and tolerancing per ASME Y14.5M.
2. This drawing is subject to change without notice.



LAND PATTERN EXAMPLE
EXPOSED METAL SHOWN
SCALE: 14X



SOLDER MASK DETAILS

4225647 /A 05/2020

NOTES: (continued)

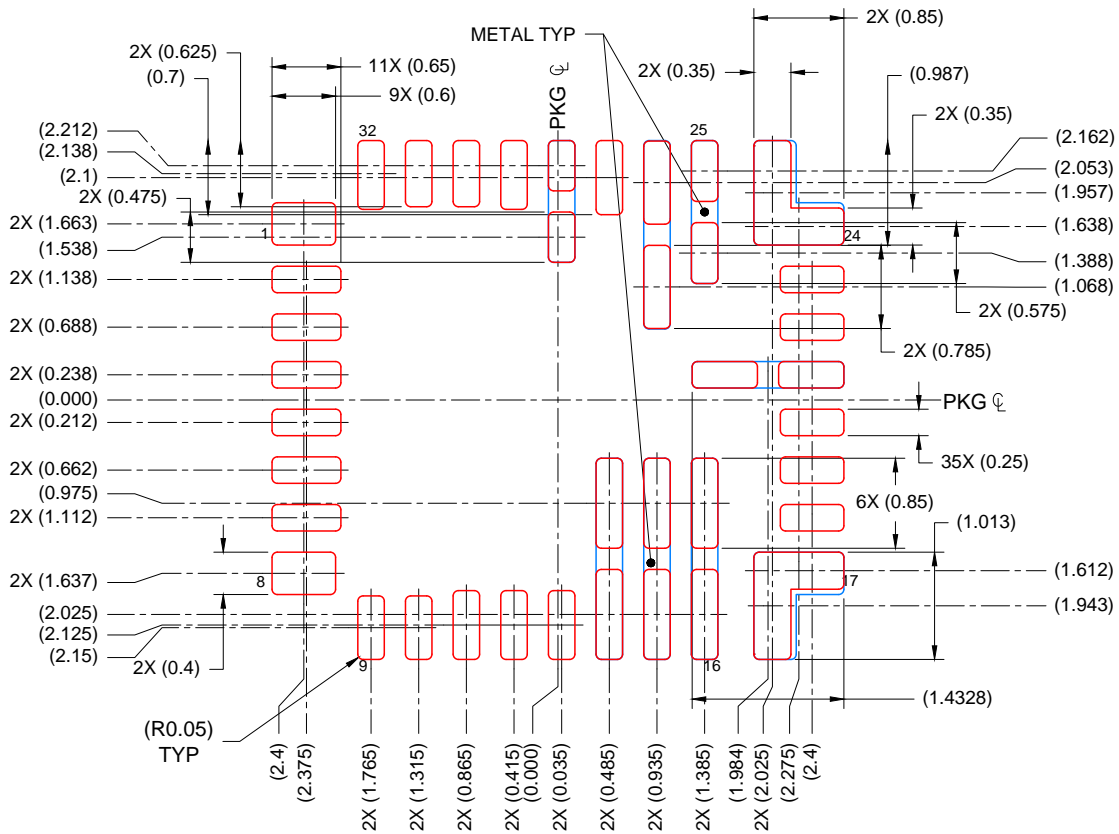
3. For more information, see Texas Instruments literature number SLUA271 (www.ti.com/lit/sluea271) .
4. Solder mask tolerances between and around signal pads can vary based on board fabrication site.

EXAMPLE STENCIL DESIGN

VQFN-HR - 1 mm max height

RQT0032A

PLASTIC QUAD FLATPACK- NO LEAD



SOLDER PASTE EXAMPLE
 BASED ON 0.1 mm THICK STENCIL
 SCALE: 14X

PRINTED COVERAGE BY AREA
 PAD 14,15,16: 89%
 PAD 21: 85%
 PAD 17& 24: 90%
 PAD 25: 84%
 PAD 26: 88%
 PAD 28: 82%

4225647 /A 05/2020

NOTES: (continued)

5. Laser cutting apertures with trapezoidal walls and rounded corners may offer better paste release. IPC-7525 may have alternate design recommendations.

IMPORTANT NOTICE AND DISCLAIMER

TI PROVIDES TECHNICAL AND RELIABILITY DATA (INCLUDING DATA SHEETS), DESIGN RESOURCES (INCLUDING REFERENCE DESIGNS), APPLICATION OR OTHER DESIGN ADVICE, WEB TOOLS, SAFETY INFORMATION, AND OTHER RESOURCES "AS IS" AND WITH ALL FAULTS, AND DISCLAIMS ALL WARRANTIES, EXPRESS AND IMPLIED, INCLUDING WITHOUT LIMITATION ANY IMPLIED WARRANTIES OF MERCHANTABILITY, FITNESS FOR A PARTICULAR PURPOSE OR NON-INFRINGEMENT OF THIRD PARTY INTELLECTUAL PROPERTY RIGHTS.

These resources are intended for skilled developers designing with TI products. You are solely responsible for (1) selecting the appropriate TI products for your application, (2) designing, validating and testing your application, and (3) ensuring your application meets applicable standards, and any other safety, security, regulatory or other requirements.

These resources are subject to change without notice. TI grants you permission to use these resources only for development of an application that uses the TI products described in the resource. Other reproduction and display of these resources is prohibited. No license is granted to any other TI intellectual property right or to any third party intellectual property right. TI disclaims responsibility for, and you will fully indemnify TI and its representatives against, any claims, damages, costs, losses, and liabilities arising out of your use of these resources.

TI's products are provided subject to [TI's Terms of Sale](#) or other applicable terms available either on [ti.com](https://www.ti.com) or provided in conjunction with such TI products. TI's provision of these resources does not expand or otherwise alter TI's applicable warranties or warranty disclaimers for TI products.

TI objects to and rejects any additional or different terms you may have proposed.

Mailing Address: Texas Instruments, Post Office Box 655303, Dallas, Texas 75265
Copyright © 2023, Texas Instruments Incorporated