

Edgemax LED Module



Features

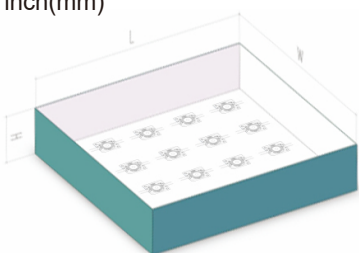
- Chain of 30 LED modules with single LED each.
- High efficiency LED.
- High color consistency.
- Beam characteristic: 160°.
- Protection class of LED module: IP67.
- Flexible chain, can be split between any module.
- Mounting with screw or remounted double-sided adhesive tape possible.
- Fully integrated heat sink.
- Nominal life-time up to 50,000 h (at tc 50°C).
- Best for 120~180mm depth light boxes and channel letters.
- Warranty : 5 years.

Specification

| | |
|------------------------|-------------------|
| Dimension | 1.6*1.4"(41*36mm) |
| Power | 1.44W±10% |
| Working voltage | 12V |
| Driving mode | Constant current |
| Center distance | 8.9"(225mm) |
| Cascading | 30pcs |
| Working temp | -25~+50°C |
| Storage temp | -40~+85°C |
| IP grade | IP67 |

Application notes

Unit: inch(mm)



WLM-LED-ABS-12V-041036-2835-1

Technical data

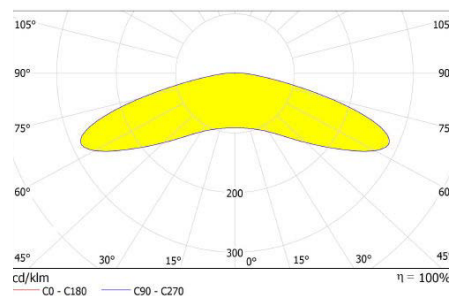
| | |
|--|-------|
| Color temperature or Wavelength | 6500K |
| CRI | >70 |
| Typ.Flux per module | 144lm |

Application data

| | |
|-------------------------------------|-----------------|
| Module number per Chain | 30pcs |
| Max. module number per Chain | 30pcs |
| Distance of modules(wire) | 7.3"(185mm) |
| Max.temperature on module tc | 65°C |
| Risk group(EN 62471:2008) | 1 |
| Certification list | CE/ENEC/RoHS/UL |

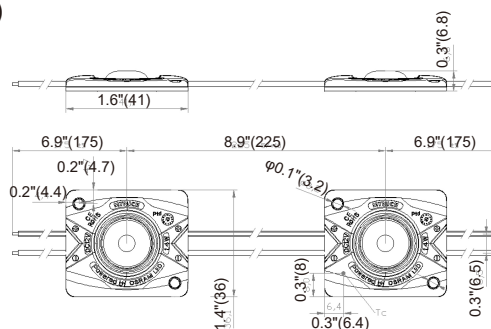
Light distribution

Beam characteristic 160°



Profile drawings

Unit: inch(mm)



Packaging information

| Weight per pc | Packaging,low volume | Packaging,high volume |
|---------------|----------------------|-----------------------|
| 14.5g | 90pc(s) 1.3kg | 1440 pc(s) 23.0 kg |

| | | Depth | Brightness |
|----------------------|-------------------|---------------|------------|
| 1m² Light Box | 12 Modules | H=2.4"(60mm) | 2600 lux |
| | | H=2.8"(70mm) | 2300 lux |
| | | H=3.1"(80mm) | 2050 ux |
| | | H=3.5"(90mm) | 1650 lux |
| | | H=3.9"(100mm) | 1350 lux |