

# XU5M18AB20D

Photoelectric sensors XU, XU5, diffuse, analog,  
Sn 0.4 m, 12...24VDCM12



## Main

Range of Product	Telemecanique Photoelectric sensors XU
Series name	Application material handling
Electronic sensor type	Photo-electric sensor
Sensor name	XU5
Sensor design	Cylindrical M18
Detection system	Diffuse
Material	Metal
Line of sight type	Axial
Type of output signal	Analogue
Supply circuit type	DC
Wiring Technique	3-wire
Discrete output type	PNP
Analogue output range	4...20 mA
Electrical connection	1 male connector M12, 4 pins
Product Specific Application	-
Emission	Infrared diffuse
[Sn] nominal sensing distance	0.16...1.31 ft (0.05...0.4 m) diffuse

## Complementary

Enclosure Material	Nickel Plated Brass
Lens material	PMMA
Maximum sensing distance	1.31 ft (0.4 m)
Add on output	With analogue output
Status LED	1 LED green)output state
[Us] rated supply voltage	12...24 V DC reverse polarity protection
Supply voltage limits	10...30 V DC
Switching capacity in mA	4...20 mA
Switching frequency	<= 20 Hz
Current consumption	<= 30 mA no-load
Maximum delay first up	50 ms
Setting-up	Sensitivity adjustment with potentiometer
Diameter	0.71 in (18 mm)
Length	3.74 in (95 mm)
Net Weight	0.17 lb(US) (0.075 kg)

## Environment

Product Certifications	CE UL CSA
Ambient air temperature for operation	-13...131 °F (-25...55 °C)
Ambient Air Temperature for Storage	-40...158 °F (-40...70 °C)
Vibration resistance	25 gn +/- 2 mm 10...55 Hz) IEC 60068-2-6
Shock resistance	30 gn 11 ms) IEC 60068-2-27
IP degree of protection	IP67 IEC 60529

## Ordering and shipping details

Category	22481-SENSORS, PHOTOELECTRIC
Discount Schedule	DS2
GTIN	3389110077261
Nbr. of units in pkg.	1
Package weight(Lbs)	3.10 oz (88.0 g)
Returnability	No
Country of origin	FR

## Packing Units

Unit Type of Package 1	PCE
Package 1 Height	2.52 in (6.4 cm)
Package 1 width	3.62 in (9.2 cm)
Package 1 Length	1.65 in (4.2 cm)
Unit Type of Package 2	S01
Number of Units in Package 2	22
Package 2 Weight	4.75 lb(US) (2.154 kg)
Package 2 Height	5.91 in (15 cm)
Package 2 width	5.91 in (15 cm)
Package 2 Length	15.75 in (40 cm)

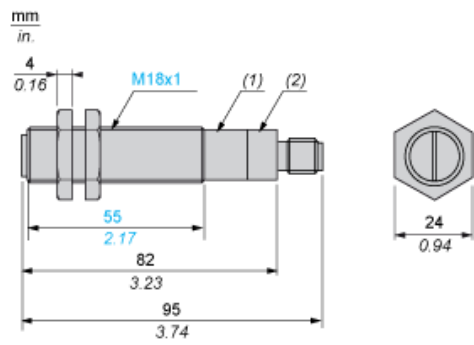
## Offer Sustainability

Sustainable offer status	Green Premium product
California proposition 65	WARNING: This product can expose you to chemicals including: Diisononyl phthalate (DINP), which is known to the State of California to cause cancer, and Di-isodecyl phthalate (DIDP), which is known to the State of California to cause birth defects or other reproductive harm. For more information go to <a href="http://www.P65Warnings.ca.gov">www.P65Warnings.ca.gov</a>
REACH Regulation	<a href="#">REACH Declaration</a>
EU RoHS Directive	Pro-active compliance (Product out of EU RoHS legal scope) <a href="#">EU RoHS Declaration</a>
Mercury free	Yes
RoHS exemption information	<a href="#">Yes</a>
Environmental Disclosure	<a href="#">Product Environmental Profile</a>
Circularity Profile	<a href="#">End Of Life Information</a>

## Contractual warranty

Warranty	18 months
----------	-----------

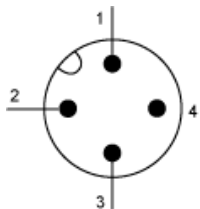
## Dimensions



- (1) Potentiometer
- (2) Green LED

## Connections and Schemes

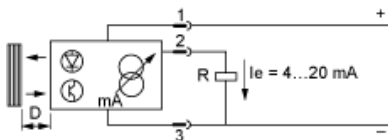
### Connector Scheme



- 1: (+)
- 2: Analogue output
- 3: (-)

### Wiring Schemes

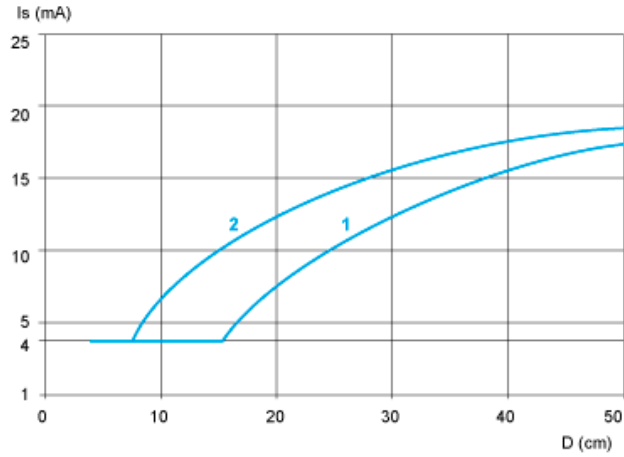
Output Current



Curves

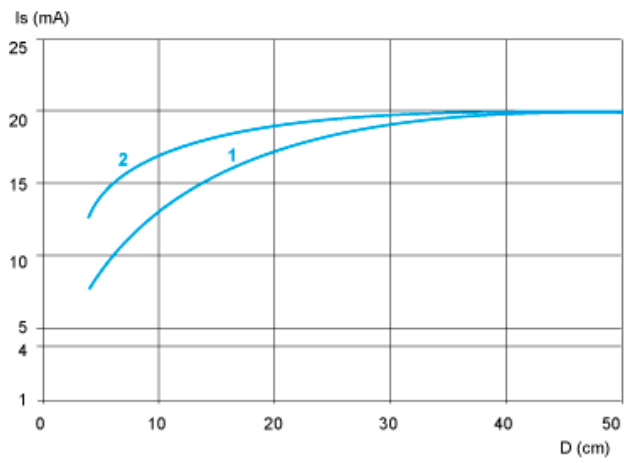
Output Signal (Related to Distance of Object)

Potentiometer Set at Maximum



- 1 : White 90% object
- 2 : Grey 15% object

Potentiometer Set at Minimum



- 1 : White 90% object
- 2 : Grey 15% object