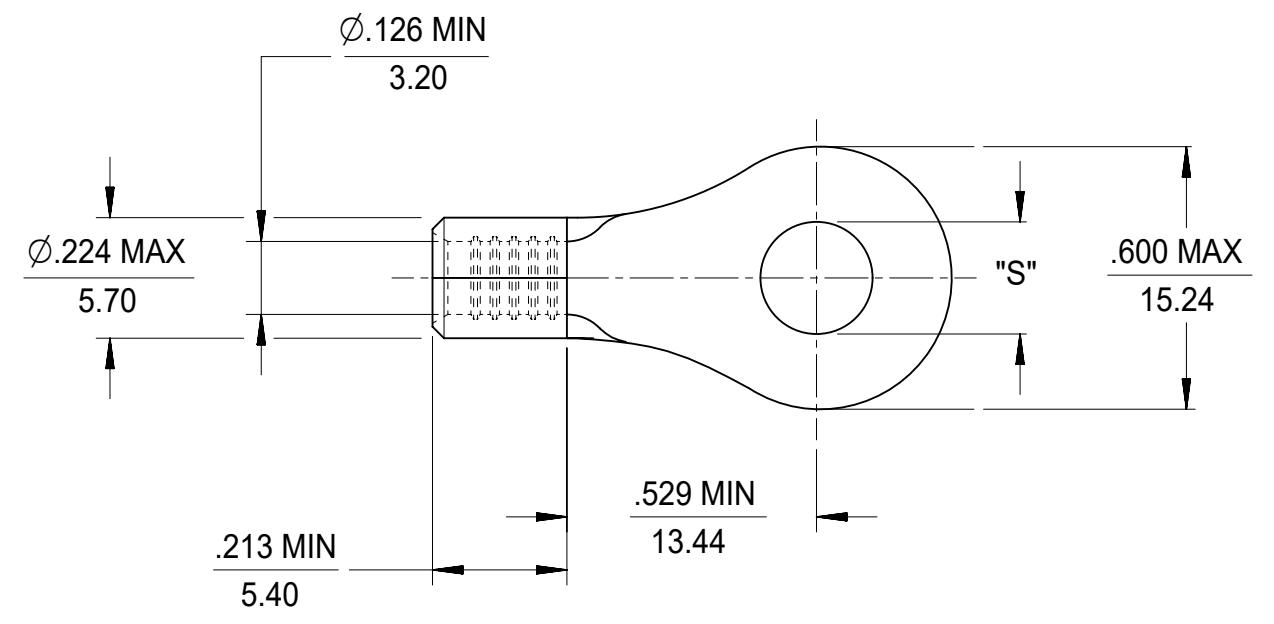
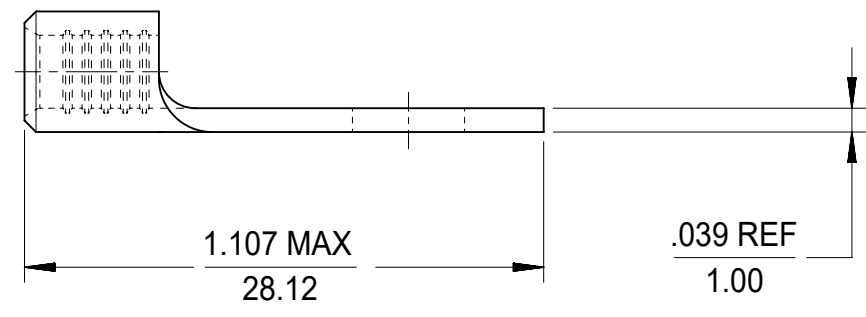


MAT'L NO.	ENG NO.	STUD SIZE	"S" MAX	DESCRIPTION
192030492	C-S-140-38	3/8	.416 (10.57)	LOOSE PIECE

B1



B1



NOTE(S):

1. MATERIAL: STEEL
2. WIRE SIZE: 12-10 AWG (4.0-6.0 MM²)
3. FINISH: NICKEL PLATING
4. PART IS RoHS COMPLIANT.

FUNCTIONAL SYMBOLS	THIS DRAWING CONTAINS INFORMATION THAT IS PROPRIETARY TO MOLEX ELECTRONIC TECHNOLOGIES, LLC AND SHOULD NOT BE USED WITHOUT WRITTEN PERMISSION										
	DIMENSION UNITS		SCALE		CURRENT REV DESC: RMV OBSO PN: 192030292					molex	
	INCH/MM		4:1								
	GENERAL TOLERANCES (UNLESS SPECIFIED)										
4 PLACES		±		±		EC NO: 712677					
3 PLACES		±		±		DRWN: DMYRICK 2022/06/30					
2 PLACES		±		±		CHKD: JMACNEIL 2022/06/30					
1 PLACE		±		±		APPR: JMACNEIL 2022/06/30					
0 PLACES		±		±		INITIAL REVISION:					
ANGULAR TOL		±	°			DRWN: EHILE 2006/09/28					
						APPR: JMACNEIL 2006/09/29					
DRAFT WHERE APPLICABLE MUST REMAIN WITHIN DIMENSIONS		THIRD ANGLE PROJECTION		DRAWING		SERIES		MATERIAL NUMBER		CUSTOMER	
		B-SIZE		19203		SEE CHART		GENERAL MARKET		1 OF 1	

DOCUMENT STATUS	P1	RELEASE DATE	2022/06/30	17:49:07
-----------------	----	--------------	------------	----------