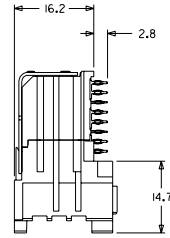
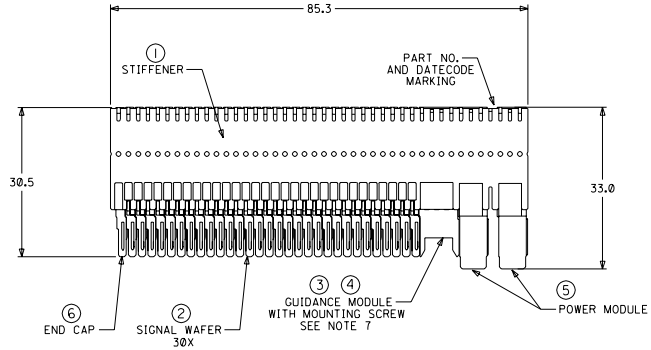
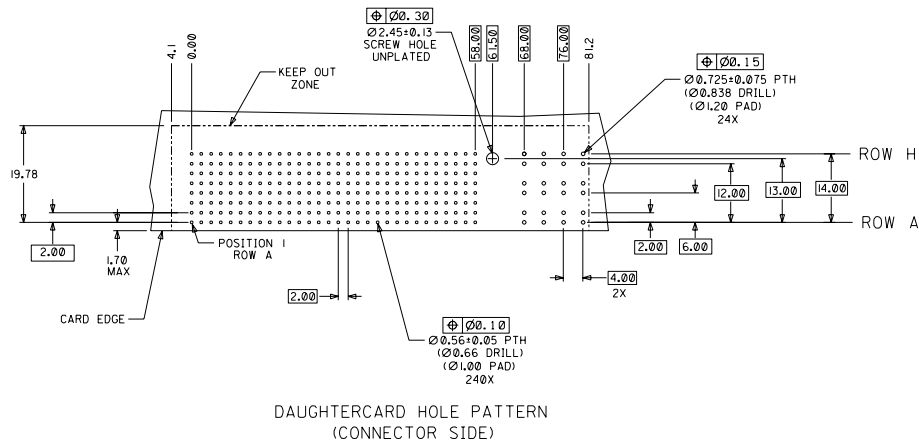
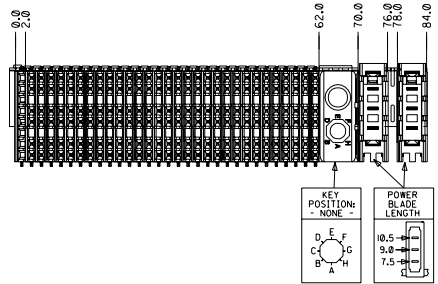


CUSTOMER: STARENT



- NOTES: (UNLESS OTHERWISE SPECIFIED)
- MATERIALS: HOUSING - LIQUID CRYSTAL POLYMER (LCP), GLASS-FILLED, UL94V-0, BLACK.  
TERMINALS - HIGH PERFORMANCE COPPER ALLOY, STIFFENER - STAINLESS STEEL.
  - FINISH: SELECTIVE GOLD (Au) IN CONTACT AREA, 0.00076mm MINIMUM THICKNESS; SELECTIVE TIN/LEAD (Sn/Pb) ON PCB TAILS, NICKEL (Ni) OVERALL.
  - REFER TO MOLEX PRODUCT SPECIFICATION PS-74031-999 FOR PERFORMANCE SPECIFICATIONS.
  - REFER TO MOLEX DOCUMENT SD-74681-002 FOR ADDITIONAL DETAIL ON THE HSD SIGNAL WAFER.
  - REFER TO MOLEX DOCUMENT SD-74037-006 FOR ADDITIONAL DETAIL ON THE GUIDANCE MODULE.
  - REFER TO MOLEX DOCUMENT SD-74026-002 FOR ADDITIONAL DETAIL ON THE POWER MODULE.
  - MOUNTING SCREWS WILL BE BAGGED WITH EACH CONNECTOR.
  - PARTS ARE PACKAGED IN TUBES PER PK-70873-5041.



ITEM	PART NUMBER	DESCRIPTION	QTY
1	74046-0085	STIFFENER	1
2	74681-0001	HSD8 WAFER	30
3	74037-0008	POLARIZING/GUIDE MODULE	1
4	73726-0000	GUIDE MODULE MNTG SCREW	1
5	74026-8123	POWER MODULE	2
6	74038-1001	END CAP	1

STARENT PART NO.: 121-00-0060

ADDED PART NO. IEC NO. UDT2002-1338 DRAWN: ATP 02/05/06 CHECKED: LAURX 02/05/06 APPR: BIXLER 02/05/06	QUALITY SYMBOLS MAJOR CRITICAL	GENERAL TOLERANCES: (UNLESS SPECIFIED):	SCALE: 2:1 DESIGN UNITS: <input type="checkbox"/> MM <input type="checkbox"/> INCH	DIMENSIONS: <input type="checkbox"/> MM <input type="checkbox"/> INCH <input type="checkbox"/> INCH ONLY	SHT REV
		4 PLACES ±0. -- ±. -- 3 PLACES ±0. -- ±. -- 2 PLACES ±0. -- ±. -- 1 PLACE ±0. -- ±. --	DRAWN BY & DATE ATP 01/07/05 CHECKED BY & DATE LAURX 01/07/05 APPROVED BY & DATE BIXLER 01/07/05	ANGLUAR: ± 2°	TITLE: 8 ROW HSD DAUGHTERCARD ASSEMBLY SALES DRAWING
C	DESCRIPTION	CAD FILENAME SD-74680-045	MATERIAL NO. 746800045	DRAWING NO. SD-74680-045	SHEET NO. 1 OF 1
DRAFT WHERE APPLICABLE MUST REMAIN WITHIN DIMENSIONS		THIS DRAWING CONTAINS INFORMATION THAT IS PROPRIETARY TO MOLEX INCORPORATED AND SHOULD NOT BE USED WITHOUT WRITTEN PERMISSION.			