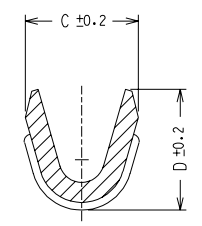
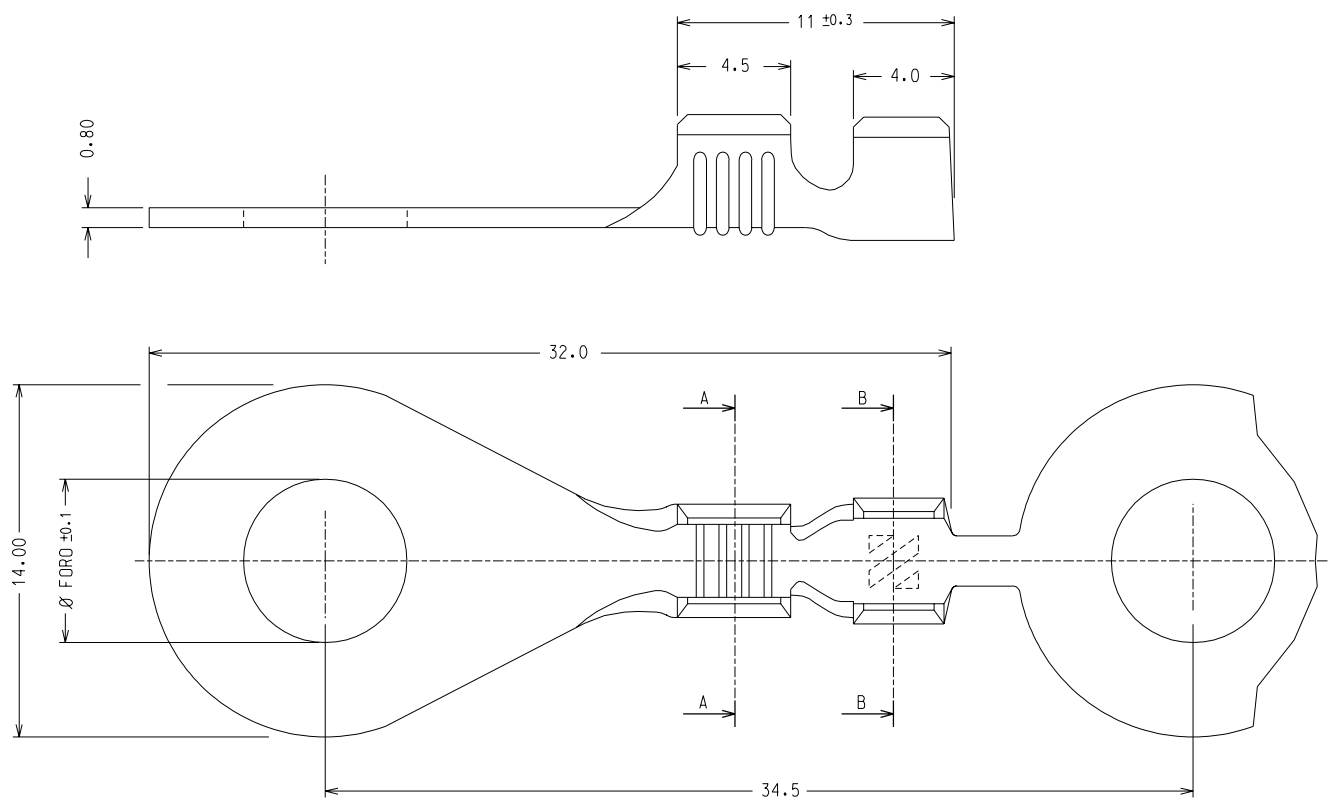


SECTION B - B



SECTION A - A



CODICE P/N	SEZ. RAME WIRE RANGE	∅ ISOLANTE INS. RANGE	MATERIALE MATERIAL	FINITURA PLATING	∅ FORO ∅ HOLE	A	B	C	D
94519-5221	1.0 - 2.5	1.9 - 3.0	OTTONE BRASS	STAGNATO TIN	6.5	5.0	4.9	4.5	4.8
94519-5241					8.4				
94519-5321	4.0 - 6.0	3.4 - 4.3			6.5	6.9	7.4	5.7	6.0
94519-5341					8.4				

EC N° Z2004-0224 CZUIN 2004/04/28 A I LTR	REVISIONS 3 PLACE ± 2 PLACE ± 0.1 1 PLACE ± 0.2	DIMENSIONS SHOWN (METRIC) INCH UNLESS OTHERWISE SPECIFIED TOLERANCES ANGULAR ± 2° INCH (METRIC)		DRWG BY Gottardo	CAD/CAM FILENAME 945195XS	THIS DRAWING CONTAINS INFORMATION THAT IS PROPRIETARY TO MOLEX INC AND SHOULD NOT BE USED WITHOUT WRITTEN PERMISSION	
		DESIGN DIMENSION (PRIMARY) ∅ (MM) □ IN		CHK'D BY Previato	TITLE CAPOCORDA AD OCCHIELLO PER CAVI CON ISOLANTE RIDOTTO RING TONGUE TERMINAL FOR REDUCED INSULATION CABLES		
		EQUIVALENT DIMENSION (SECONDARY) □ (MM) □ IN.		APP'D BY Previato	MOLEX MOLEX INCORPORATED		SHEET NO. DATE 1 / 1 08-02-93
				SCALE 5 : 1	PART NO. VEDI TABELLA see chart		DWG NO. SD-94519-001

