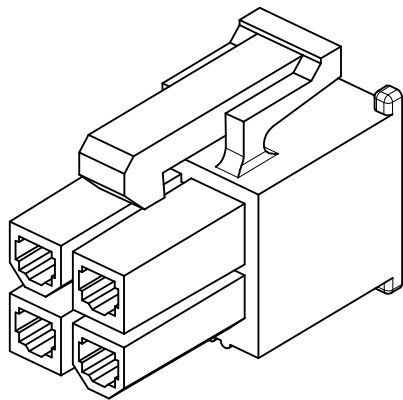
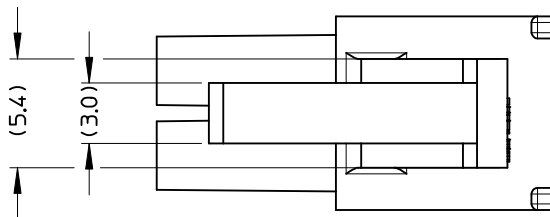
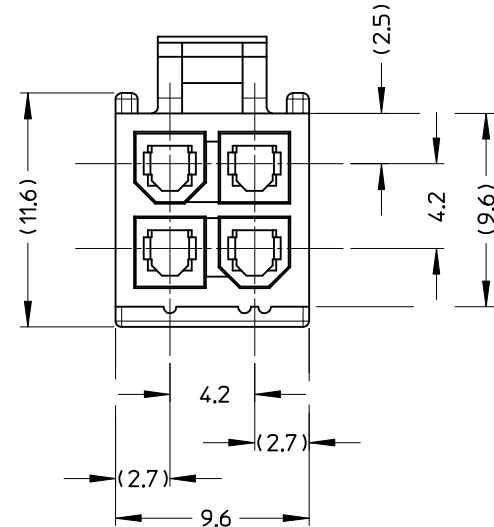
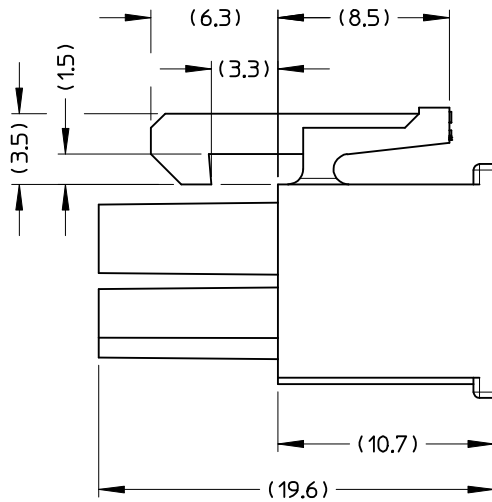


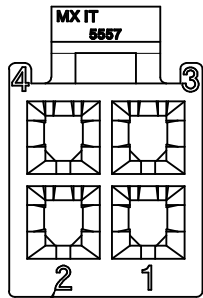
CIRCUIT NO.



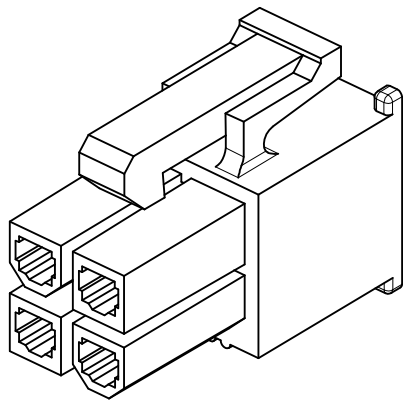
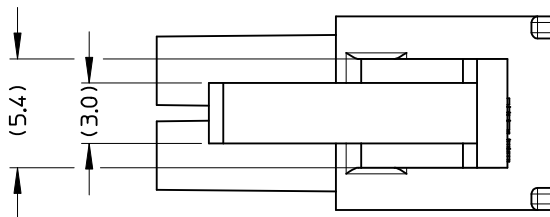
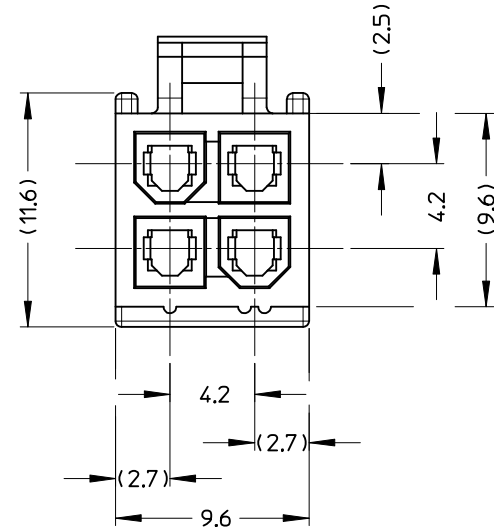
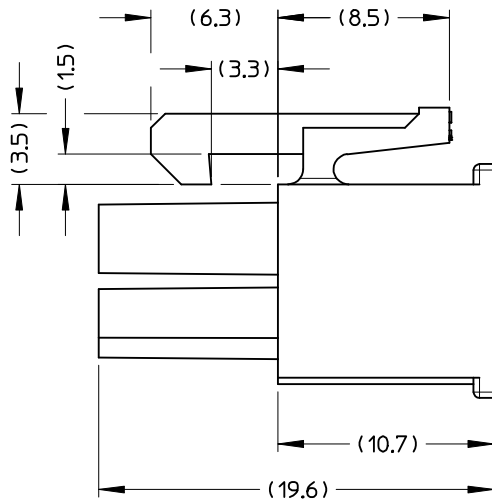
NOTES:

- 1) MATERIAL: PA46 UL 94 V2
- 2) COLOR: BLACK
- 3) ACCEPTS TERMINALS 5556 SERIES
- 4) MATES WITH 5559, 5566, 5569, 501566 SERIES
- 5) REFERENCE SPECIFICATION: PS-5557-003
- 6) THE HOUSING SHALL WITHSTAND 1000 HOURS @ 105°C WITHOUT LOOSING ITS FUNCTIONALITY
- 7) DIMENSIONS BETWEEN BRACKETS ARE FOR REFERENCE ONLY
- 8) PACKAGING: PLASTIC BAGS IN CARTON BOXES (S.P.Q.: 10000 PCS/BOX)
 Plastic bags are sealed and contain water for part moisturizing (according to AS-45499-001 norm).
 Customer shall moisturize parts (according to AS-45499-001 norm) in case partial bags are re-sealed at their site.

EC NO: Z2018-0006 DRWN:LSANTISS 2017/08/02 CHKD:LSANTISS 2017/08/03 APPR:PZANGIROLAMI 2017/08/03	QUALITY SYMBOLS	GENERAL TOLERANCES (UNLESS SPECIFIED)		DIMENSION STYLE MM ONLY		SCALE 4:1	DESIGN UNITS METRIC	FIRST ANGLE PROJECTION
	▽=0	mm	INCH	DRAWN BY	DATE	TITLE		
	∇=0	4 PLACES ± ---	± ---	SBARBIERI	2005/12/20	MINI-FIT RECEPTACLE 4 CKT FOR HIGH TEMPERATURE MOLEX INCORPORATED		
		3 PLACES ± ---	± ---	CHECKED BY	DATE			
	2 PLACES ± ---	± ---	RSANDANO	2005/12/20	DOCUMENT NO.			
	1 PLACE ± 0.2	± ---	APPROVED BY	DATE	SHEET NO.			
		ANGULAR ± 3 °		FBISELLO	2005/12/20	1 OF 1		
		DRAFT WHERE APPLICABLE MUST REMAIN WITHIN DIMENSIONS		MATERIAL NO.	94557-9004		SD-94557-001	
				SIZE	THIS DRAWING CONTAINS INFORMATION THAT IS PROPRIETARY TO MOLEX INCORPORATED AND SHOULD NOT BE USED WITHOUT WRITTEN PERMISSION			
				A3				



CIRCUIT NO. _____



NOTES:

- 1) MATERIAL: PA46 UL 94 V2
- 2) COLOR: BLACK
- 3) ACCEPTS TERMINALS 5556 SERIES
- 4) MATES WITH 5559, 5566, 5569, 501566 SERIES
- 5) REFERENCE SPECIFICATION: PS-5557-003
- 6) THE HOUSING SHALL WITHSTAND 1000 HOURS @ 105°C WITHOUT LOOSING ITS FUNCTIONALITY
- 7) DIMENSIONS BETWEEN BRACKETS ARE FOR REFERENCE ONLY
- 8) PACKAGING: PLASTIC BAGS IN CARTON BOXES (S.P.Q.: 10000 PCS/BOX)
 Plastic bags are sealed and contain water for part moisturizing (according to AS-45499-001 norm).
 Customer shall moisturize parts (according to AS-45499-001 norm) in case partial bags are re-sealed at their site.

EC NO: Z2018-0006 DRWN:LSANTISS 2017/08/02 CHKD:LSANTISS 2017/08/03 APPR:PZANGIROLAMI 2017/08/03	QUALITY SYMBOLS	GENERAL TOLERANCES (UNLESS SPECIFIED)		DIMENSION STYLE MM ONLY		SCALE 4:1	DESIGN UNITS METRIC	FIRST ANGLE PROJECTION
	▽=0	mm	INCH	DRAWN BY	DATE	TITLE		
	∇=0	4 PLACES ± ---	± ---	SBARBIERI	2005/12/20	MINI-FIT RECEPTACLE		
		3 PLACES ± ---	± ---	CHECKED BY	DATE	4 CKT		
	2 PLACES ± ---	± ---	RSANDANO	2005/12/20	FOR HIGH TEMPERATURE			
	1 PLACE ± 0.2	± ---	APPROVED BY	DATE	MOLEX INCORPORATED			
		ANGULAR ± 3 °		FBISELLO	2005/12/20	DOCUMENT NO.		SHEET NO.
		DRAFT WHERE APPLICABLE MUST REMAIN WITHIN DIMENSIONS		MATERIAL NO. 94557-9004		SD-94557-001		1 OF 1
				SIZE A3	THIS DRAWING CONTAINS INFORMATION THAT IS PROPRIETARY TO MOLEX INCORPORATED AND SHOULD NOT BE USED WITHOUT WRITTEN PERMISSION			