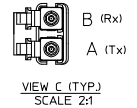
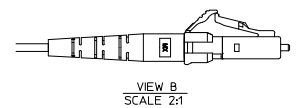
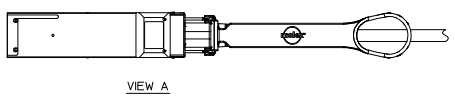
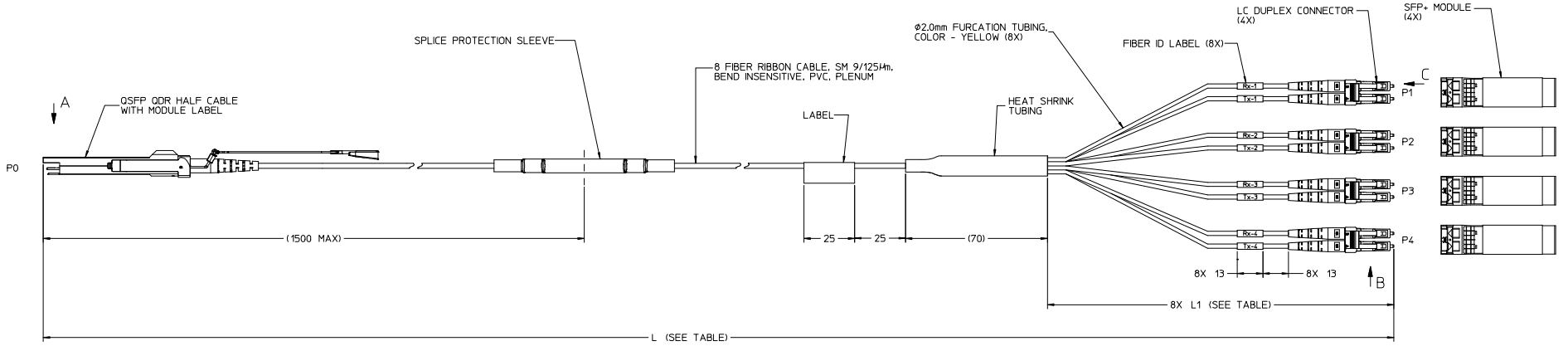


PART NUMBER	OVERALL LENGTH - L (mm)	BREAKOUT LENGTH - L1 (mm)
106414-0022	1250 ⁺²⁰⁰ ₋₀	250 ⁺⁰ ₋₅₀
106414-0023	2000 ⁺²⁰⁰ ₋₀	1000 ⁺⁰ ₋₁₀₀
106414-0024	3250 ⁺²⁰⁰ ₋₀	250 ⁺⁰ ₋₅₀
106414-0025	4000 ⁺⁵⁰⁰ ₋₀	1000 ⁺⁰ ₋₁₀₀
106414-0026	4250 ⁺⁵⁰⁰ ₋₀	250 ⁺⁰ ₋₅₀
106414-0027	5000 ⁺⁵⁰⁰ ₋₀	1000 ⁺⁰ ₋₁₀₀
106414-0028	5250 ⁺⁵⁰⁰ ₋₀	250 ⁺⁰ ₋₅₀
106414-0029	6000 ⁺⁶⁰⁰ ₋₀	1000 ⁺⁰ ₋₁₀₀
106414-0034	3000 ⁺²⁰⁰ ₋₀	1000 ⁺⁰ ₋₁₀₀
106414-0035	10000 ⁺¹⁰⁰⁰ ₋₀	2000 ⁺⁰ ₋₁₀₀

CONNECTIONS			
	FROM	TO	
CHANNEL	FIBER COLOR	FIBER ID LABEL	CONNECTOR
P0-1	BLUE	Rx-1	P1-B
P0-2	ORANGE	Rx-2	P2-B
P0-3	GREEN	Rx-3	P3-B
P0-4	BROWN	Rx-4	P4-B
P0-5	SLATE	Tx-4	P4-A
P0-6	WHITE	Tx-3	P3-A
P0-7	RED	Tx-2	P2-A
P0-8	BLACK	Tx-1	P1-A

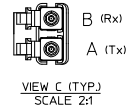
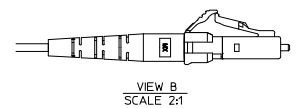
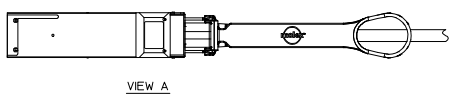
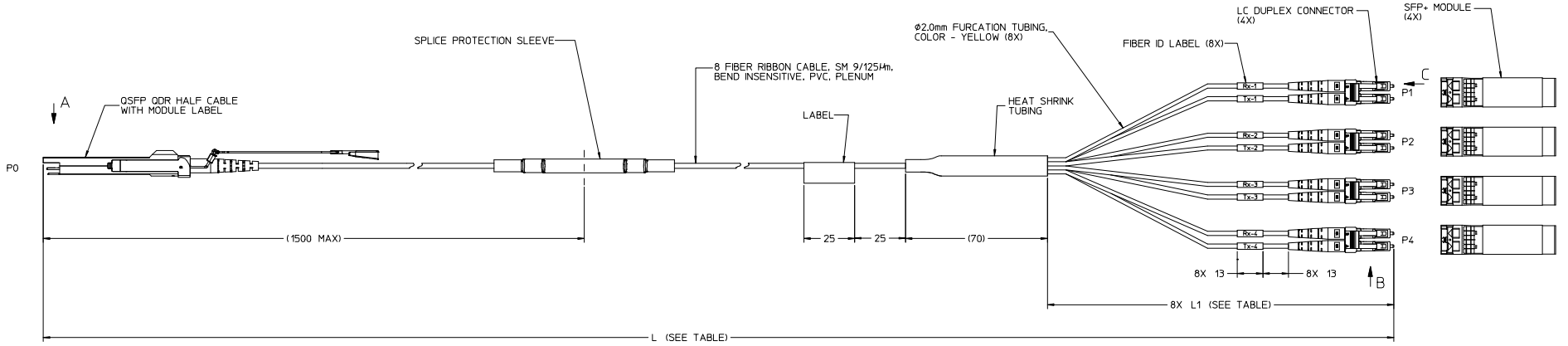


- NOTES:
- DUST CAPS ARE NOT SHOWN BUT INCLUDED.
 - AOC WITH LC CONNECTORS PIGTAIL MAXIMUM INSERTION LOSS BUDGET: (4.35dB AOC LINK MARGIN) - (-0.35dB MAX LC CONNECTOR LOSS) = 4.0dB
 - LABEL IS PRINTED WITH MOLEX PART NUMBER AND SERIAL NUMBER.

ENTER DESCRIPTION IEC NO: MF2015-0324 DRAWN BY: MAGHAYERE CHKD: GUMIN APPR: GUMIN DATE: 2014/12/09	QUALITY SYMBOLS ▽=0 ▽=0	GENERAL TOLERANCES (UNLESS SPECIFIED) <table border="1"> <thead> <tr> <th></th> <th>mm</th> <th>INCH</th> </tr> </thead> <tbody> <tr> <td>4 PLACES</td> <td>±---</td> <td>±---</td> </tr> <tr> <td>3 PLACES</td> <td>±---</td> <td>±---</td> </tr> <tr> <td>2 PLACES</td> <td>±---</td> <td>±---</td> </tr> <tr> <td>1 PLACE</td> <td>±---</td> <td>±---</td> </tr> <tr> <td>0 PLACE</td> <td>±---</td> <td>±---</td> </tr> </tbody> </table>		mm	INCH	4 PLACES	±---	±---	3 PLACES	±---	±---	2 PLACES	±---	±---	1 PLACE	±---	±---	0 PLACE	±---	±---	DIMENSION STYLE MM ONLY	SCALE 1:1	DESIGN UNITS METRIC	THIRD ANGLE PROJECTION
		mm	INCH																					
	4 PLACES	±---	±---																					
	3 PLACES	±---	±---																					
2 PLACES	±---	±---																						
1 PLACE	±---	±---																						
0 PLACE	±---	±---																						
DRAFT WHERE APPLICABLE MUST REMAIN WITHIN DIMENSIONS	ANGULAR ±1/2°	DRAWN BY MAGHAYERE	DATE 2013/12/19	CHECKED BY GUMIN	DATE 2014/02/28	TITLE KIT: QSFP QDR-4XLCB BOUT WITH 4X SFP+MODULE																		
MATERIAL NO. SEE TABLE	DOCUMENT NO. SD-106414-0022																							
SIZE D THIS DRAWING CONTAINS INFORMATION THAT IS PROPRIETARY TO MOLEX INCORPORATED AND SHOULD NOT BE USED WITHOUT WRITTEN PERMISSION	SHEET NO. 1 OF 1																							

PART NUMBER	OVERALL LENGTH - L (mm)	BREAKOUT LENGTH - L1 (mm)
106414-0022	1250 ⁺²⁰⁰ ₋₀	250 ⁺⁰ ₋₅₀
106414-0023	2000 ⁺²⁰⁰ ₋₀	1000 ⁺⁰ ₋₁₀₀
106414-0024	3250 ⁺²⁰⁰ ₋₀	250 ⁺⁰ ₋₅₀
106414-0025	4000 ⁺⁵⁰⁰ ₋₀	1000 ⁺⁰ ₋₁₀₀
106414-0026	4250 ⁺⁵⁰⁰ ₋₀	250 ⁺⁰ ₋₅₀
106414-0027	5000 ⁺⁵⁰⁰ ₋₀	1000 ⁺⁰ ₋₁₀₀
106414-0028	5250 ⁺⁵⁰⁰ ₋₀	250 ⁺⁰ ₋₅₀
106414-0029	6000 ⁺⁶⁰⁰ ₋₀	1000 ⁺⁰ ₋₁₀₀
106414-0034	3000 ⁺²⁰⁰ ₋₀	1000 ⁺⁰ ₋₁₀₀
106414-0035	10000 ⁺¹⁰⁰⁰ ₋₀	2000 ⁺⁰ ₋₁₀₀

CONNECTIONS			
	FROM	TO	
CHANNEL	FIBER COLOR	FIBER ID LABEL	CONNECTOR
P0-1	BLUE	Rx-1	P1-B
P0-2	ORANGE	Rx-2	P2-B
P0-3	GREEN	Rx-3	P3-B
P0-4	BROWN	Rx-4	P4-B
P0-5	SLATE	Tx-4	P4-A
P0-6	WHITE	Tx-3	P3-A
P0-7	RED	Tx-2	P2-A
P0-8	BLACK	Tx-1	P1-A



- NOTES:
- DUST CAPS ARE NOT SHOWN BUT INCLUDED.
 - AOC WITH LC CONNECTORS PIGTAIL MAXIMUM INSERTION LOSS BUDGET: (4.35dB AOC LINK MARGIN) - (-0.35dB MAX LC CONNECTOR LOSS) = 4.0dB
 - LABEL IS PRINTED WITH MOLEX PART NUMBER AND SERIAL NUMBER.

ENTER DESCRIPTION IEC NO: MF2015-0324 DRAWN BY: MAGHAYERE CHKD: GUMIN APPR: GUMIN DATE: 2014/12/09	QUALITY SYMBOLS ▽=0 ▽=0	GENERAL TOLERANCES (UNLESS SPECIFIED) <table border="1"> <thead> <tr> <th></th> <th>mm</th> <th>INCH</th> </tr> </thead> <tbody> <tr> <td>4 PLACES</td> <td>±---</td> <td>±---</td> </tr> <tr> <td>3 PLACES</td> <td>±---</td> <td>±---</td> </tr> <tr> <td>2 PLACES</td> <td>±---</td> <td>±---</td> </tr> <tr> <td>1 PLACE</td> <td>±---</td> <td>±---</td> </tr> <tr> <td>0 PLACE</td> <td>±---</td> <td>±---</td> </tr> </tbody> </table>		mm	INCH	4 PLACES	±---	±---	3 PLACES	±---	±---	2 PLACES	±---	±---	1 PLACE	±---	±---	0 PLACE	±---	±---	DIMENSION STYLE MM ONLY	SCALE 1:1	DESIGN UNITS METRIC	THIRD ANGLE PROJECTION
		mm	INCH																					
	4 PLACES	±---	±---																					
	3 PLACES	±---	±---																					
2 PLACES	±---	±---																						
1 PLACE	±---	±---																						
0 PLACE	±---	±---																						
DRAFT WHERE APPLICABLE MUST REMAIN WITHIN DIMENSIONS	ANGULAR ±1/2°	DRAWN BY MAGHAYERE	DATE 2013/12/19	CHECKED BY GUMIN	DATE 2014/02/28	TITLE KIT: QSFP ODR-4XLCB BOUT WITH 4X SFP+MODULE																		
MATERIAL NO. SEE TABLE	DOCUMENT NO. SD-106414-0022																							
SIZE D THIS DRAWING CONTAINS INFORMATION THAT IS PROPRIETARY TO MOLEX INCORPORATED AND SHOULD NOT BE USED WITHOUT WRITTEN PERMISSION	SHEET NO. 1 OF 1																							