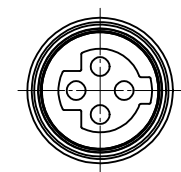
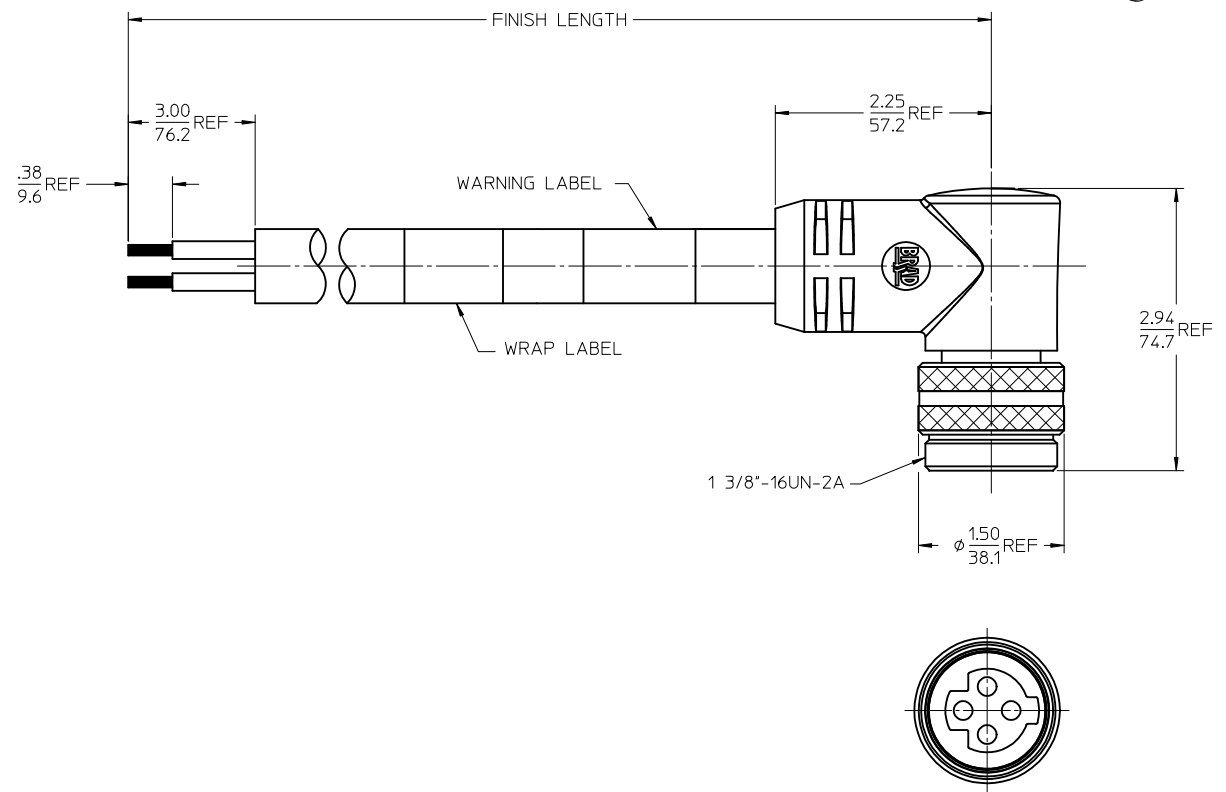
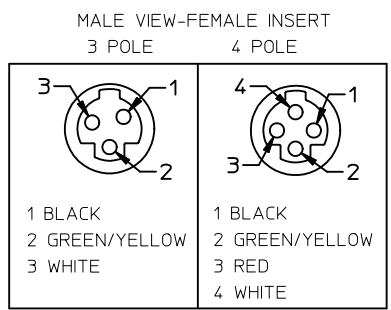
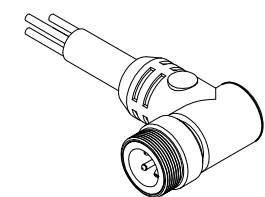


POLES	MATERIAL NO.	ENG. NO.	AMPS	LENGTH
3	1300630201	C03107A48M020	30	2M +89-0MM (6'7"+3.50-0)
4	1300630189	C04107A48M020	25	2M +89-0MM (6'7"+3.50-0)



SPECS:
OVERMOLD: GRAY PVC
INSERT: BLACK PVC
COUPLING NUT: ANODIZED ALUMINUM
CABLE: #10AWG GRAY PVC
DUAL RATED UL TC/OPEN WIRING & STOOO
ELECTRICAL: 600V AC/DC

CREATE DOC EC NO: WNAZ010-0435 DRWN:BRUPERT 2010/01/14 CHKD:WOODMAN 2010/01/15 APPR: JFMURPHY 2010/01/15	QUALITY SYMBOLS ▽=0 ▽=0	GENERAL TOLERANCES (UNLESS SPECIFIED)		DIMENSION STYLE IN/MM	SCALE 1:2	DESIGN UNITS INCH	THIRD ANGLE PROJECTION	
		4 PLACES ± --- ± ---	3 PLACES ± --- ± ---	DRAWN BY B. RUPERT	DATE 01/12/2010	TITLE QUICK CHANGE MALE 90 DEG. ALT KEY 3 & 4 POLE PORTABLES		
REV A	DESCRIPTION	2 PLACES ± --- ± ---	1 PLACE ± --- ± ---	CHECKED BY B. WOODMAN	DATE 01/12/2010	MOLEX INCORPORATED		
		ANGULAR ±1/2°		APPROVED BY JFMURPHY	DATE 2010/01/15			
DRAFT WHERE APPLICABLE MUST REMAIN WITHIN DIMENSIONS		SEE CHART		THIS DRAWING CONTAINS INFORMATION THAT IS PROPRIETARY TO MOLEX INCORPORATED AND SHOULD NOT BE USED WITHOUT WRITTEN PERMISSION				