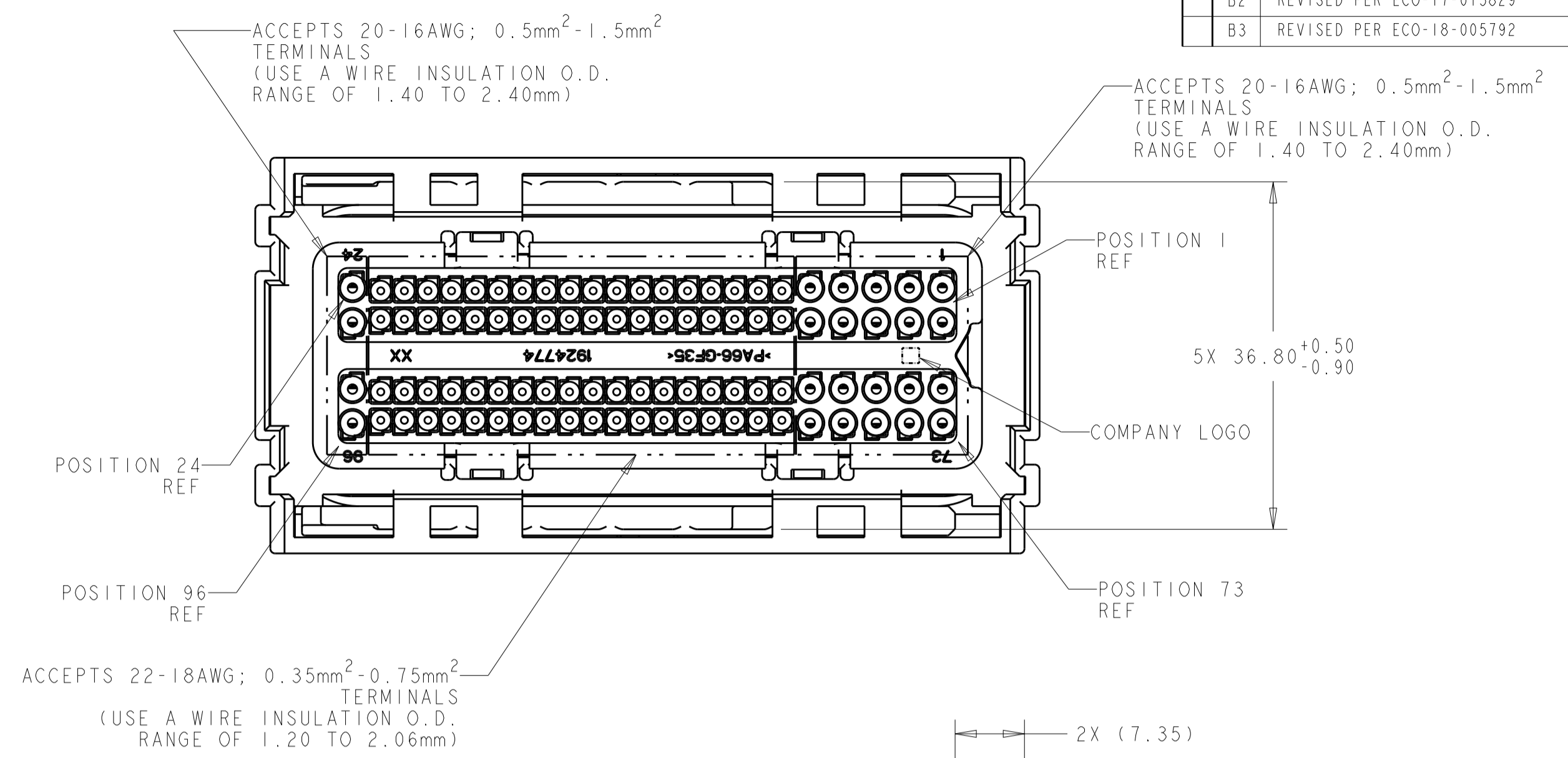
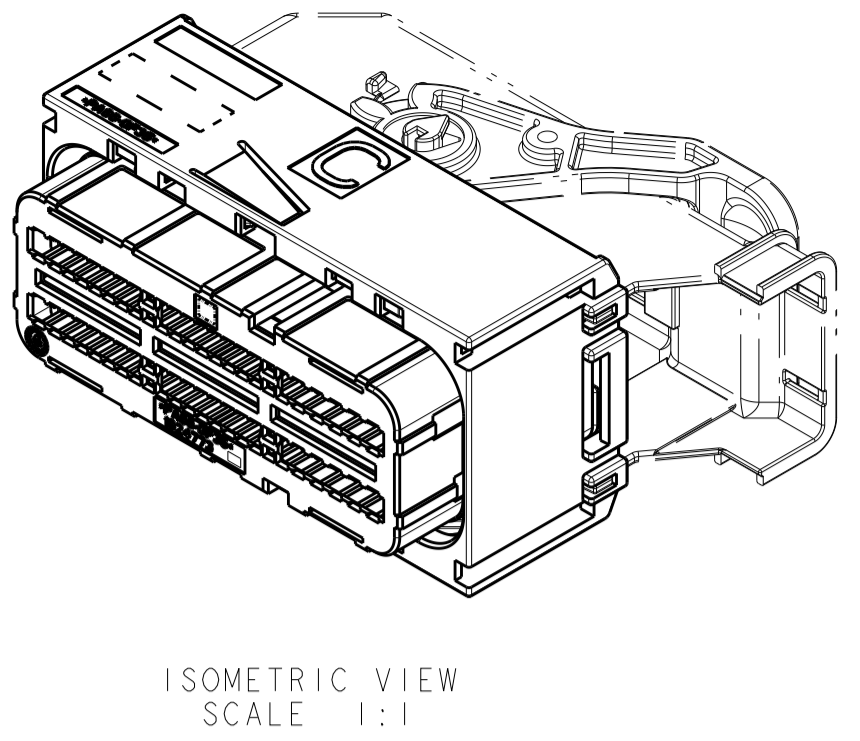
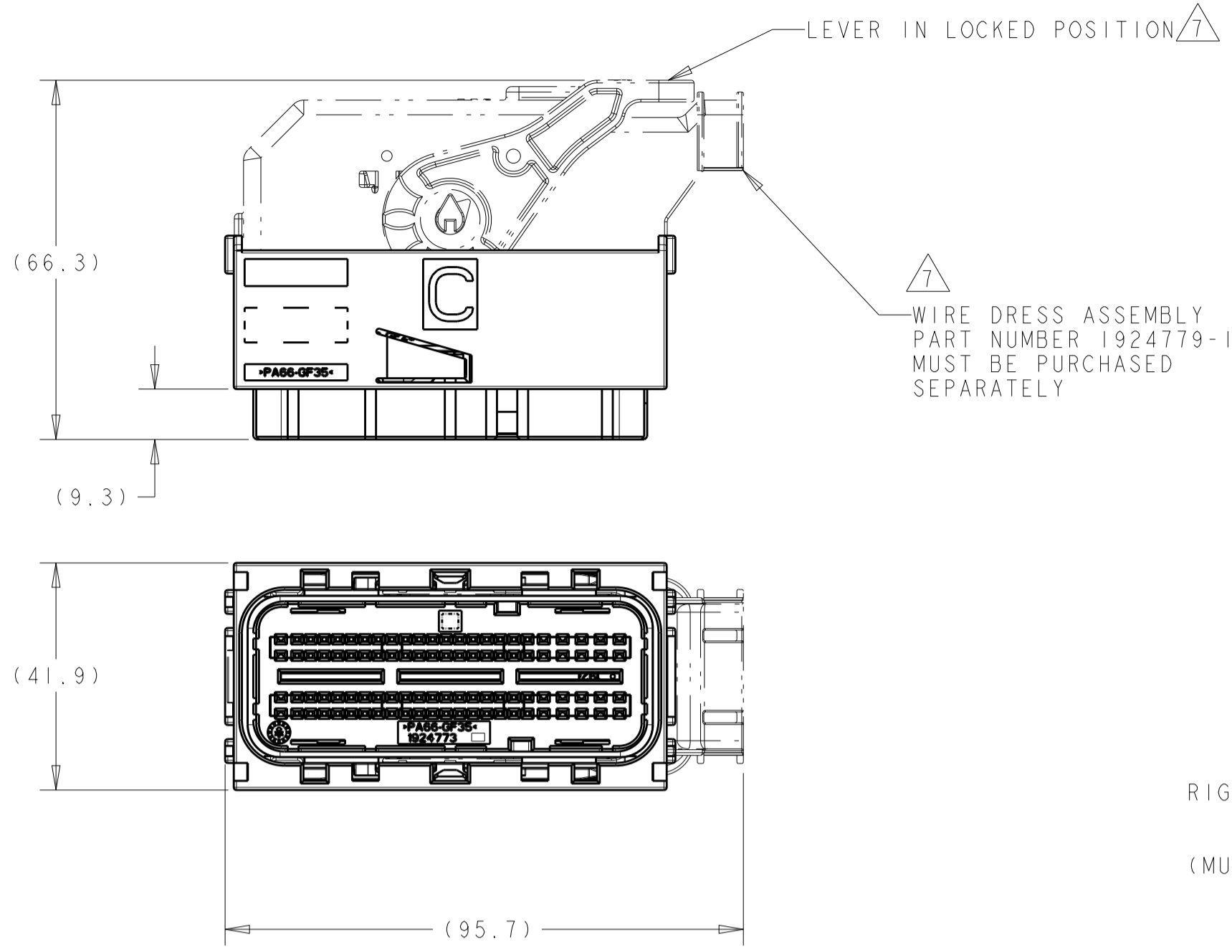
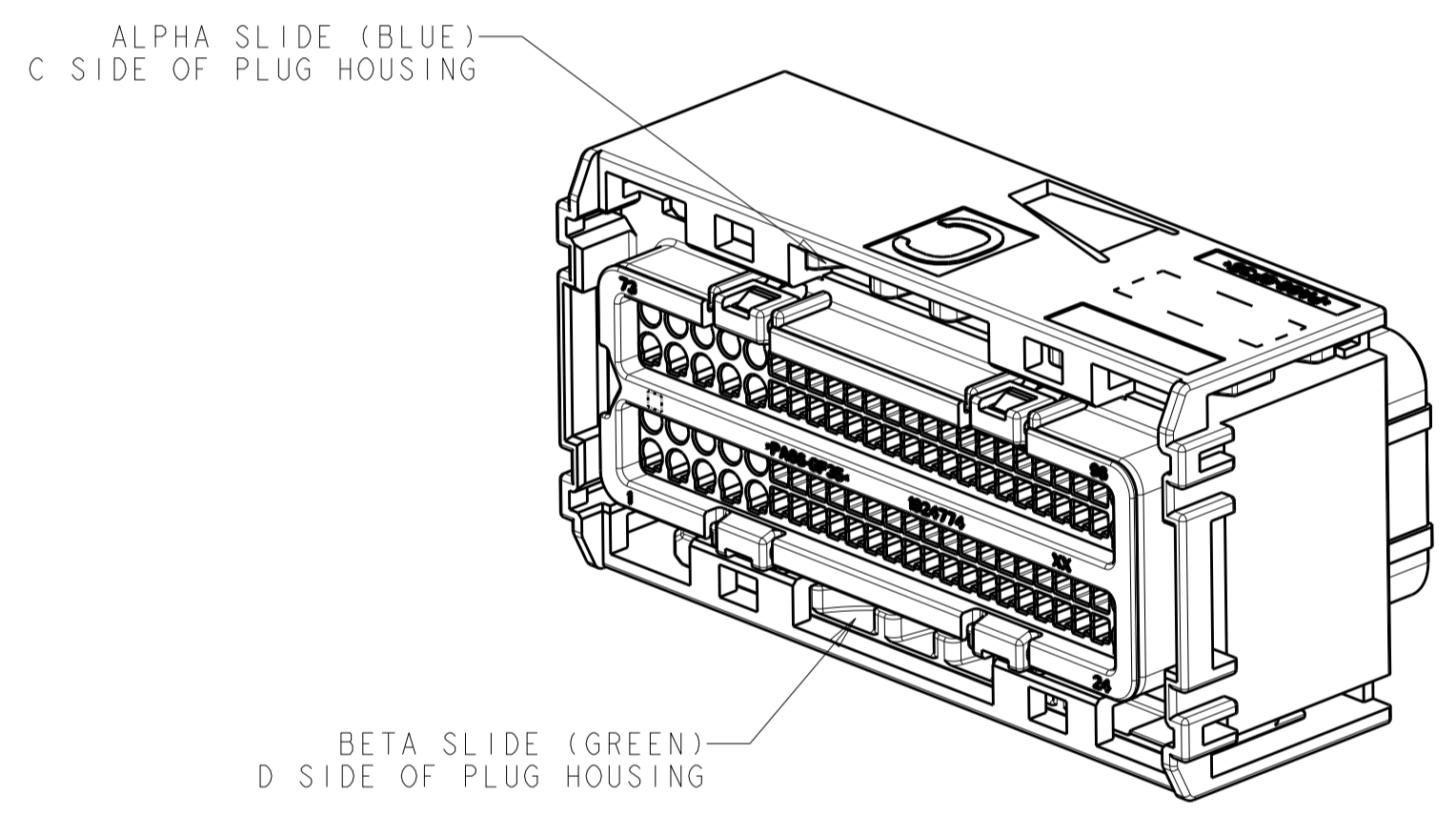


REVISIONS				
P.	LTN	DESCRIPTION	DATE	OWN APVD
B		REVISED PER ECO-16-005492	11APR2016	DLD WEM
B1		REVISED PER ECO-17-003168	07MAR2017	DD GK
B2		REVISED PER ECO-17-015829	01NOV2017	JMS GK
B3		REVISED PER ECO-18-005792	13APR2018	JMS GM

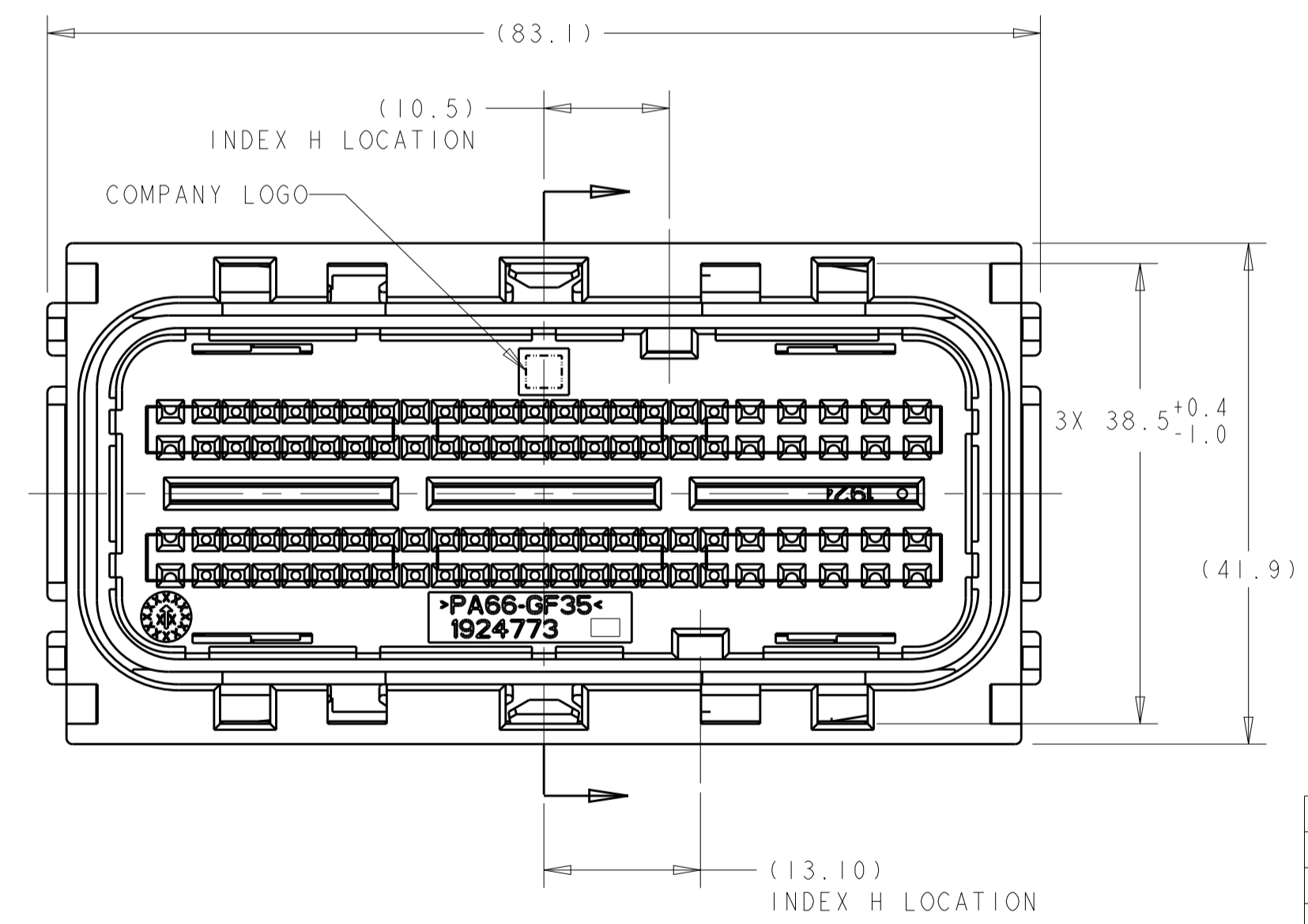
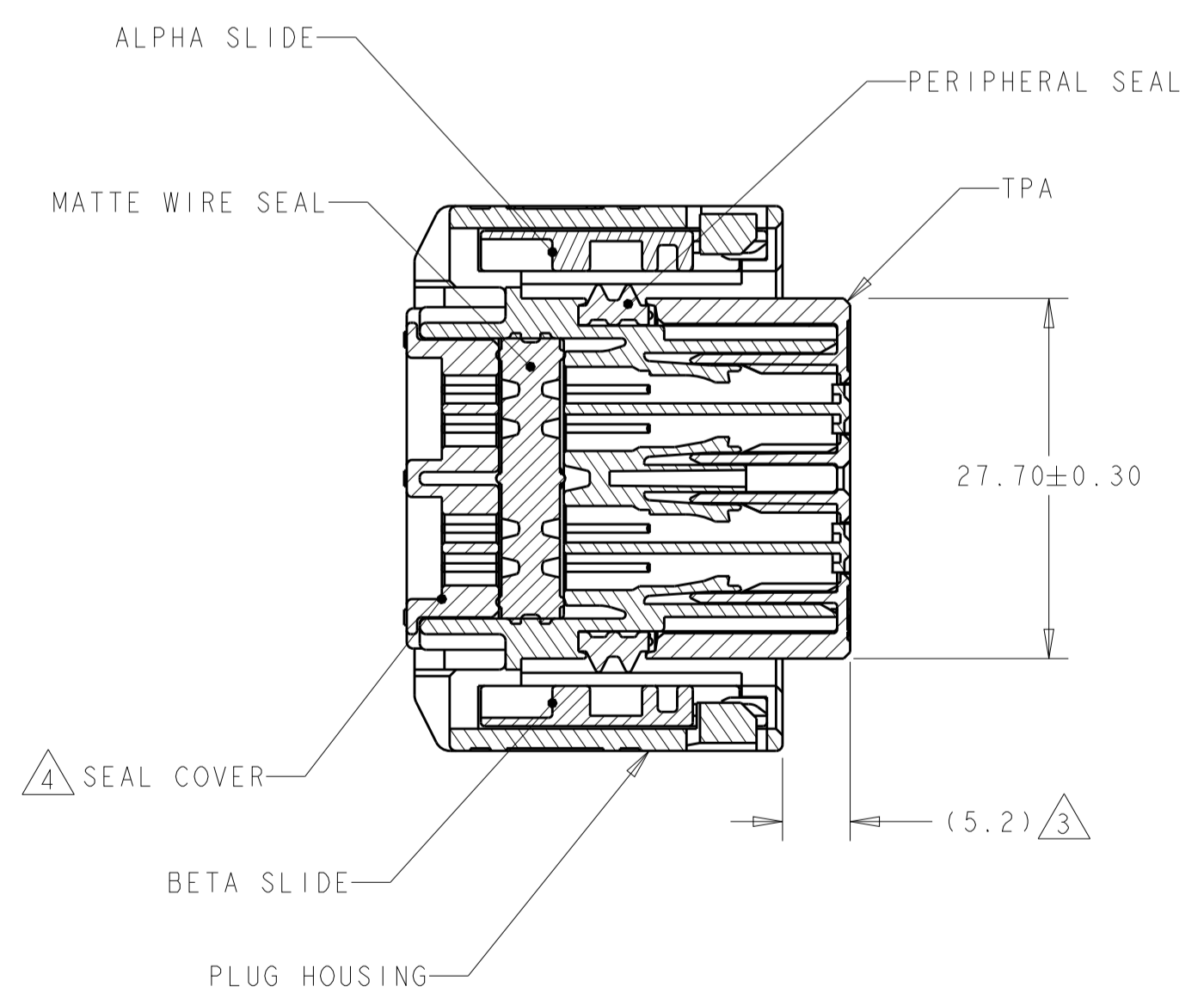


RIGHT EXIT PLUG ASSEMBLY SHOWN WITH OPTIONAL WIRE DRESS ASSEMBLY (MUST BE PURCHASED SEPARATELY) SCALE 1:1

ASSEMBLY PART NUMBER AND DATE CODE MARKING



(METHOD FOR IDENTIFYING EXIT ORIENTATION)



- ¹ PLUG HOUSING AND SEAL COVER: NYLON 6/6, BLACK.
 TPA: NYLON 6/6, COLOR - SEE TABLE.
 MATTE WIRE SEAL: SILICONE, LIGHT BLUE.
 PERIPHERAL SEAL: SILICONE, GREEN.
 ALPHA SLIDE: NYLON 6/6, BLUE.
 BETA SLIDE: NYLON 6/6, GREEN.
- ² TPA SHOWN IN PRE-LATCHED, AS SHIPPED, POSITION.
- ³ TPA SHOWN IN CLOSED POSITION.
- ⁴ SEE TABLE ON SHEET 2 FOR SEAL COVER PIN OUT CONFIGURATION.
- 5. PLUG ASSEMBLY MATES WITH TYCO ELECTRONICS INTERFACE DRAWING 1924771_INT, POLARIZATION A.
- 6. PLUG ASSEMBLY WILL ACCEPT THE FOLLOWING GET TERMINAL PART NUMBERS: 1393364-1 (GOLD 22AWG; 0.35mm²)
 1393365-1 (GOLD 18-20AWG; 0.75mm²-0.5mm²)
 1924878-1 (TIN/SILVER 22AWG; 0.35mm²)
 1924879-1 (TIN/SILVER 18-20AWG; 0.75mm²-0.5mm²)
 1924782-1 (TIN/SILVER 1.0mm²)
 1924880-1 (TIN/SILVER 16AWG; 1.5mm²)

- ⁷ WIRE DRESS ASSEMBLY MUST BE INSTALLED ONTO PLUG ASSEMBLY WITH LEVER IN LOCKED POSITION.
- ⁸ APPLICATION SPEC'S: 408-10229, 408-10230
- 9. FORCE TO SEAT TPA COMPONENT FROM PRE-SET TO LOCKED (FULLY LOADED W/ TERMINALS) TO BE 83N MAX.
- 10. FORCE TO MOVE TPA FROM FULLY LOCKED TO PRE-SET TO BE 115N MAX. FLAT BLADE SCREWDRIVER SUGGESTED FOR REMOVAL OF TPA.

ALL CLOSED	BLUE	H	9-2098865-9
SEE TABLE, SH 2	BLUE	H	2098865-5
SEE TABLE, SH 2	BLUE	H	2098865-4
SEE TABLE, SH 2	BLUE	H	2098865-3
SEE TABLE, SH 2	BLUE	H	2098865-2
ALL OPEN	BLUE	H	2098865-1
BLOCKED CIRCUITS	TPA COLOR	INDEX REF	PART NUMBER

THIS DRAWING IS A CONTROLLED DOCUMENT.

OWN: DL DRUMMOND 02NOV2010
 CHK: AJ VASBINDER 02NOV2010
 APVD: AJ VASBINDER 02NOV2010

DIMENSIONS: mm

0 PLC	±
1 PLC	±0.25
2 PLC	±
3 PLC	±
4 PLC	±
ANGLES	±

MATERIAL: ¹

FINISH: -

TE Connectivity

NAME: PLUG ASSEMBLY, 96 POSITION, INDEX H - RIGHT EXIT, SEALED, GPEC 111

SIZE: A1 00779 C=2098865

SCALE: 2:1 SHEET 1 OF 2 REV B3

