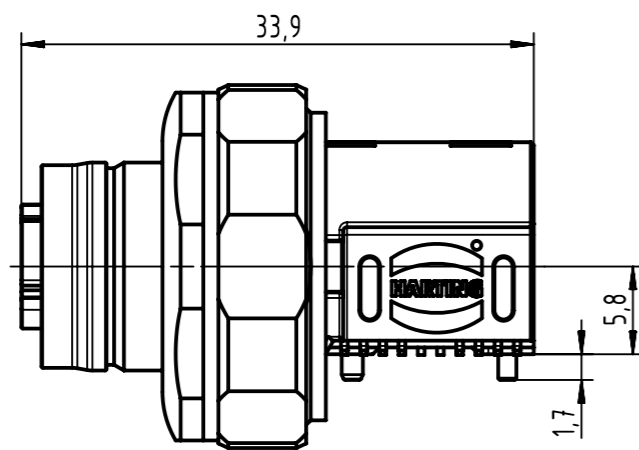
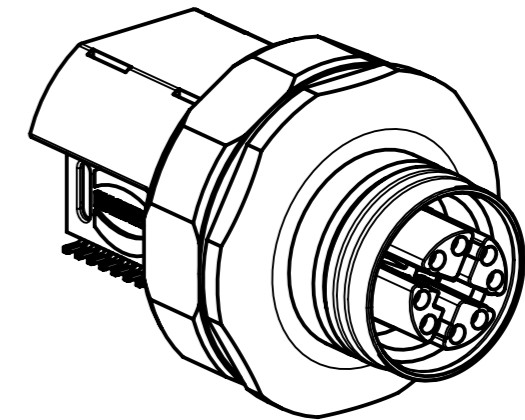
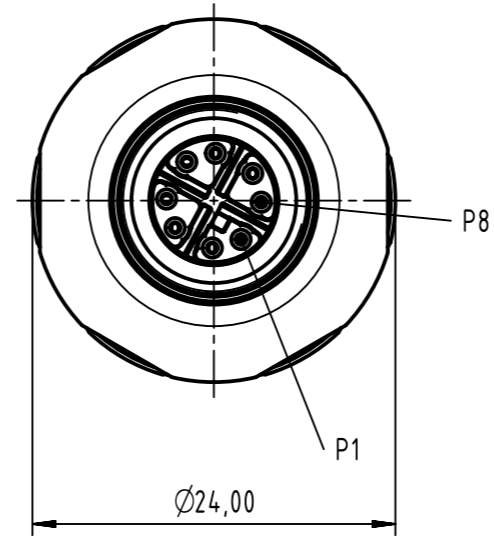


mating face based on
IEC 61076-2-109



1 PC Packaging
 Content: 1 x 21033814822
 M12 transformer angled X-coded 1G BASE-T
 1 x 21033012006
 Front mounting kits
 Further information see data sheet: 21 03 381 0202

	All rights reserved Department EL PD HARTING Electronics GmbH D-32339 Espelkamp	All Dimensions in mm Original Size DIN A3	Scale 2:1	Free size tol.	Ref. Sub.
		Created by ZHUANGJ	Inspected by ZENGDO	Standardisation SCHREIER	Date 2020-08-27
Title M12 WITH MAGNETICS X-CODED ANGLED POE+ 1GB					Doc-Key / ECM-Nr. 100693074/UGD/004/C 500000178726
		Type TB	Number 21033814826		Rev. C Page 1/1