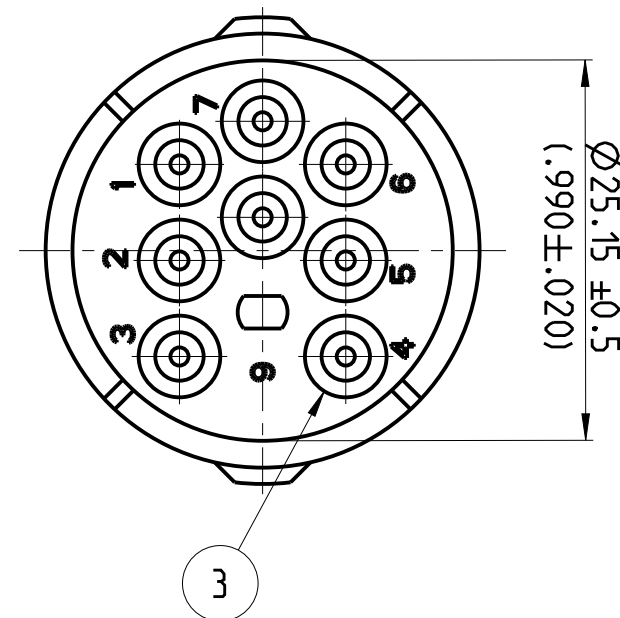
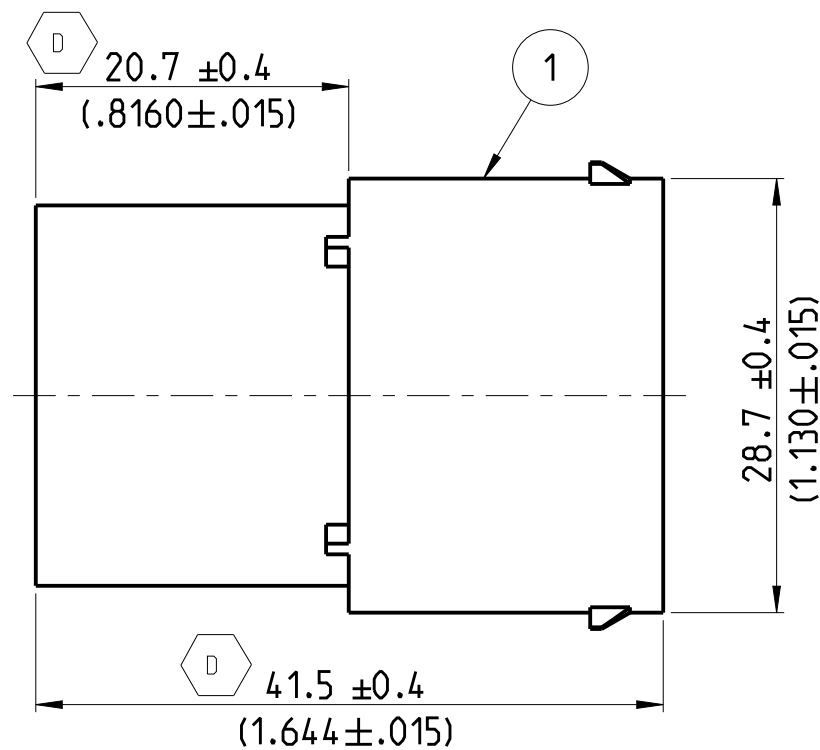
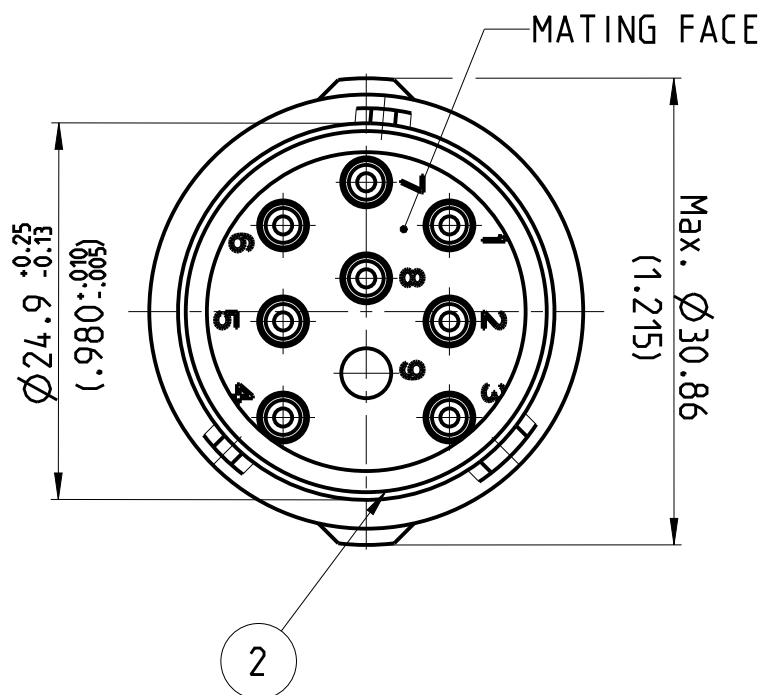


THIS DRAWING IS UNPUBLISHED. RELEASED FOR PUBLICATION 20  
 © COPYRIGHT 20 BY - ALL RIGHTS RESERVED.

REVISIONS					
P	LTR	DESCRIPTION	DATE	DWN	APVD
	D	Drawing Update, Dim. correction	14SEP2016	JJH	GB
	E	PER PCN E-20-018081	11MAR2021	SCK	



1. WIRE INSULATION SEALING RANGE 1.78-2.9 (.070-.115 Inch.) DIA.
2. MATES WITH 208678-1.
3. TOTAL LENGTH OF MATED CONNECTORS IS LESS THAN 63.5mm (2.500 Inch.)
4. THIN MEMBRANE PERMISSIBLE ON SMALL DIAMETER OF WIRE SEALS.
5. ROTATION OF CAVITY CIRCUIT KEY FROM PART TO PART IS PERMISSIBLE.

-	8x	VMQ Silicone rubber	WIRE SEAL	BLACK/Schwarz	3
-	1x	VMQ Silicone rubber	PERIPHERAL SEAL	BLACK/Schwarz	2
-	1x	PA 66	HOUSING	BLACK/Schwarz	1
-	211068-1	MATERIAL Werkstoff	DESCRIPTION Beschreibung	COLOR/SURFACE Farbe/Oberflaeche	ITEM NO.
-	E	← REVISION OF EACH ASSY NO. (WHEN BLANK, USE DWG REVISION)			

DIMENSIONS:		TOLERANCES UNLESS OTHERWISE SPECIFIED:	
mm		OTHERWISE SPECIFIED:	
0 PLC	±	1 PLC	±
1 PLC	±	2 PLC	±
2 PLC	±	3 PLC	±
3 PLC	±	4 PLC	±
ANGLES	±	FINISH	-
MATERIAL	-	WEIGHT	-

DWN J. JAGADEESH 08SEP2016		TE Connectivity	
CHK G. Benzur 09SEP2016			
APVD G. Benzur 09SEP2016		NAME RECEPTACLE, 8 POSITION STD ECONOSEAL CONNECTOR ASSY	
PRODUCT SPEC -		RESTRICTED TO	
APPLICATION SPEC -		SIZE A3	CAGE CODE 00779
WEIGHT -		DRAWING NO C-211068	
CUSTOMER DRAWING		SCALE 2:1	SHEET 1 OF 1
		REV E	