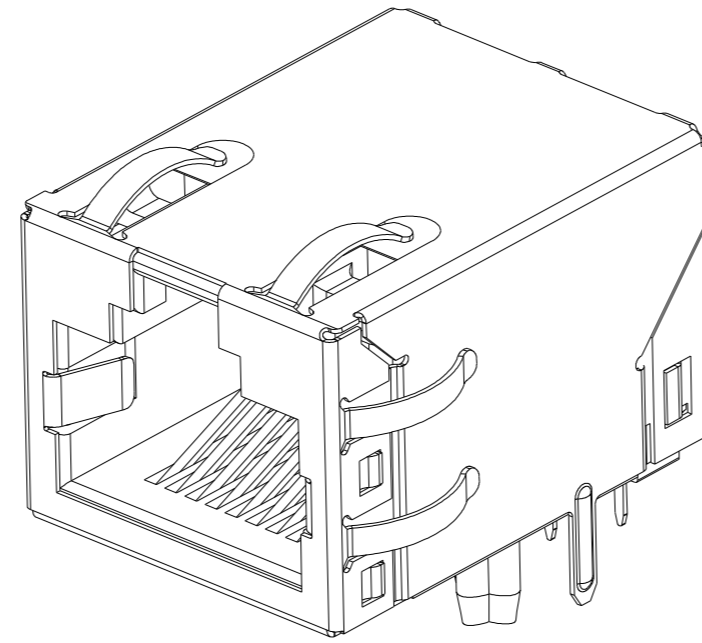
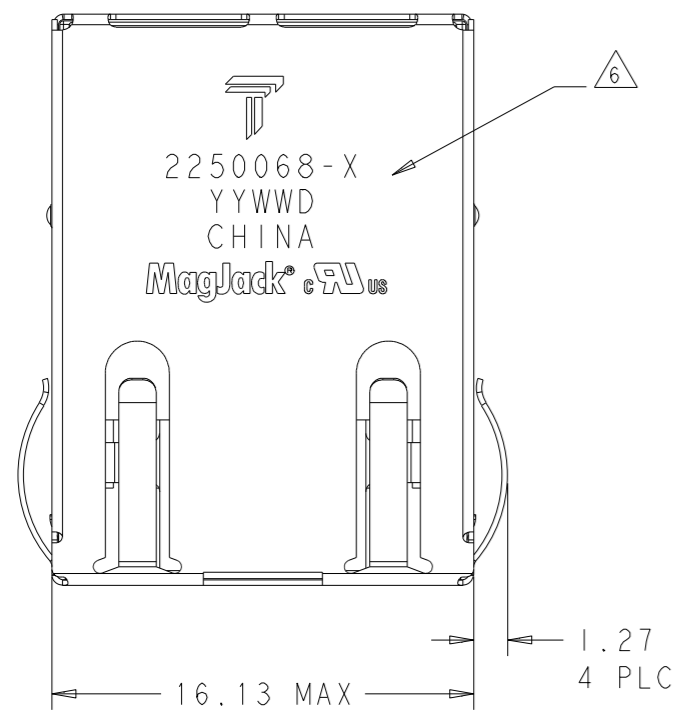


THIS DRAWING AND THE SUBJECT MATTER SHOWN THEREON ARE CONFIDENTIAL AND THE PROPERTY OF BEL/STEWART/TRP CONNECTOR AND SHALL NOT BE REPRODUCED, COPIED, OR USED IN ANY MANNER WITHOUT THE WRITTEN CONSENT OF TRP CONNECTOR.

PRODUCT MAY BE PROTECTED BY ONE OR MORE OF THE FOLLOWING US PATENTS:
 5736910 5939955 6425781 6428361 6554638 6840817 7123117
 7429195 7717749 7808751 6217391 6149050 7924130

REVISIONS				
#	LTN	DESCRIPTION	DATE	OWN APVD
2		EC-1411035 COMPANY LOGO CHANGE	05JAN2015	DP TY



1. MATERIALS

- HOUSING: THERMOPLASTIC, FLAMMABILITY RATING UL 94V-0.
- SHIELD: BRASS 0.20mm THICK, PREPLATED WITH 0.76um MIN SEMI-BRIGHT NICKEL. SOLDER TABS POST DIPPED WITH 2.54um MIN SAC SOLDER.
- CONTACTS: PHOSPHOR BRONZE 0.46mm X 0.30mm, PHOSPHOR BRONZE, 1.27um MIN NICKEL UNDERPLATE, WITH 1.27um MIN GOLD PLATING AT MATING INTERFACE AND 2.54um MIN MATTE TIN ON SOLDER TAILS, OR 1.27um MIN NICKEL UNDERPLATE, WITH 0.05um GOLD PLATING OVER 0.76um MIN PALLADIUM NICKEL PLATING AT MATING INTERFACE AND 2.54um MIN MATTE TIN ON SOLDER TAILS.
- SOLDER TAILS: 0.25mm THICK, PHOSPHOR BRONZE, 1.27um MIN OVERALL NICKEL UNDERPLATE, 3um TIN PLATE

△ RJ45 JACK CAVITY CONFORMS TO FCC RULES AND REGULATIONS PART 68 SUB PART F.

△ MAGNETICS

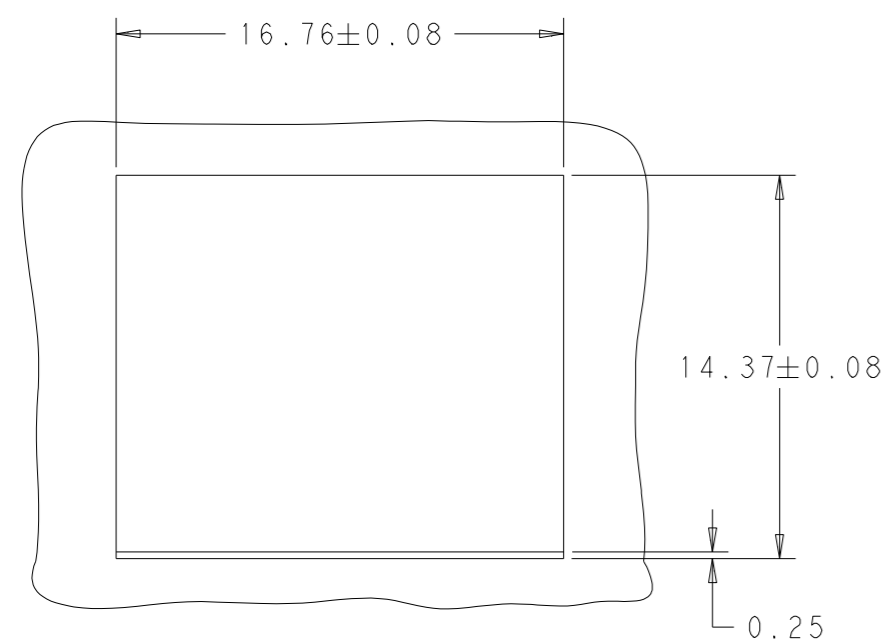
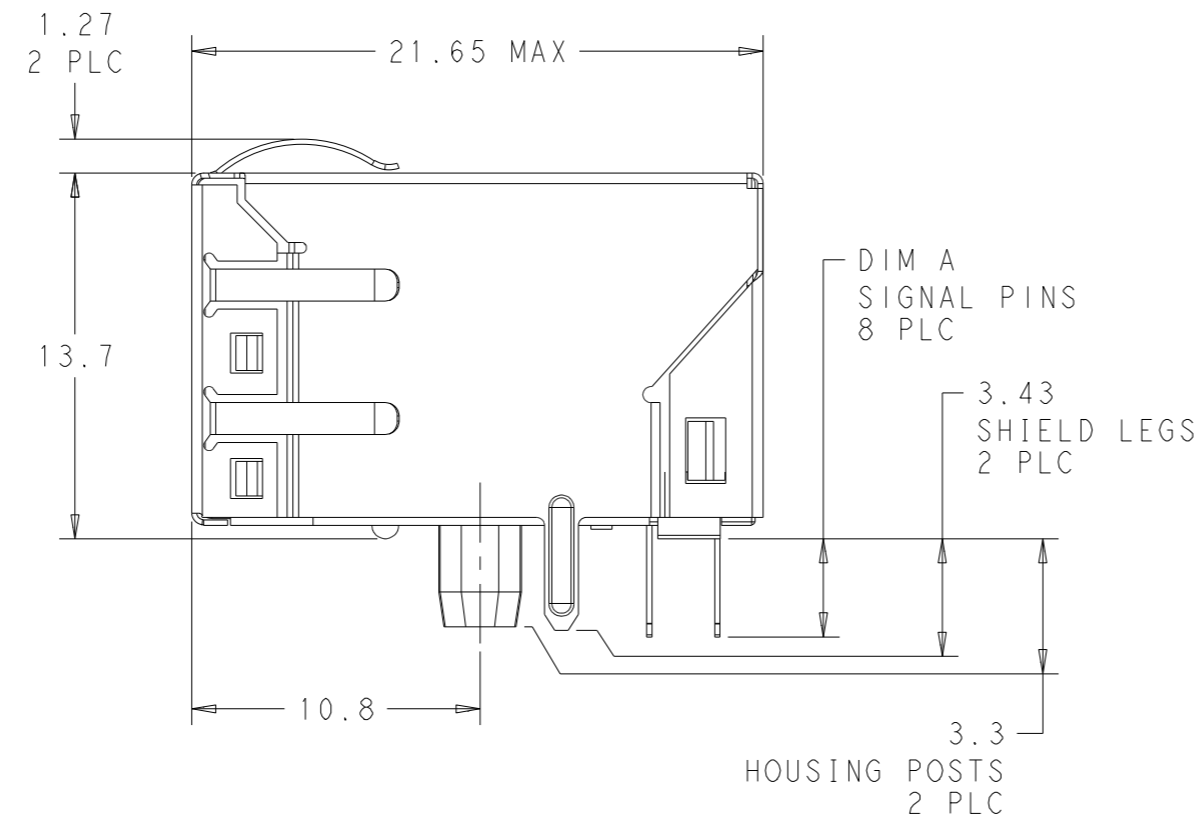
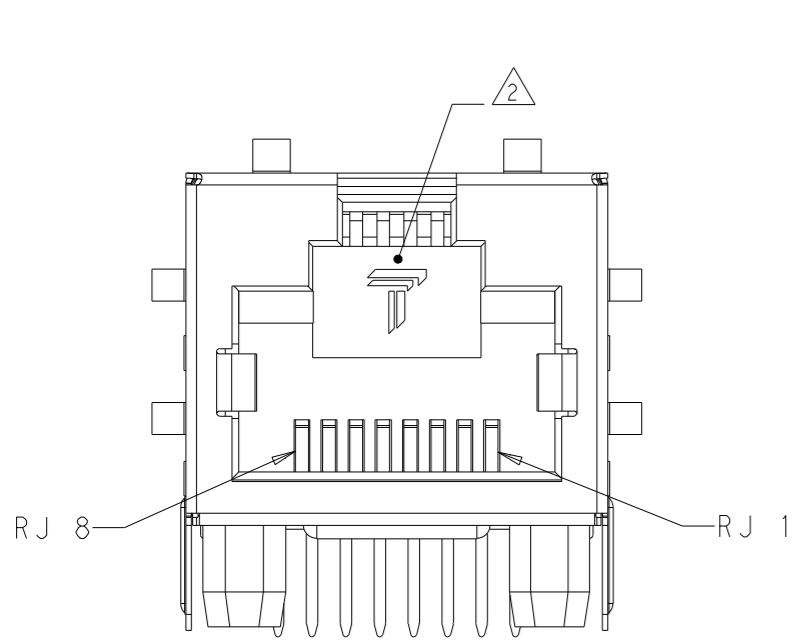
- APPLICATION: 10/100 BASE-T
- IMPEDANCE: 100 OHMS
- TURNS RATIO (CHIP:CABLE): TX = 1:1, RX = 1:1
- OPEN CIRCUIT INDUCTANCE (OCL): 350uH MIN @100kHz, 0.1VRMS, 8mADC BIAS FROM 0°C TO +70°C, TX AND RX
- PERFORMANCE @ 25°C:
- INSERTION LOSS (IL): 1.1dB MAX FROM 0.5MHz TO 100MHz
- RETURN LOSS (RL): 18dB MIN FROM 0.5MHz TO 30MHz
- 18-20LOG(f/30)dB MIN FROM 30.1MHz TO 60MHz
- 12dB MIN FROM 60.1MHz TO 80MHz
- CROSSTALK ATTENUATION: 35dB MIN FROM 0.5MHz TO 40MHz
- 33-20LOG(f/50)dB MIN FROM 40.1MHz TO 100MHz
- COMMON MODE REJECTION RATIO (CMRR): 30dB MIN FROM 0.5MHz TO 100MHz
- ISOLATION VOLTAGE: 2250VDC FOR 60 SECONDS WITH A RISE TIME OF 500 V/SEC

4. OPERATING TEMPERATURE: FROM 0°C TO +70°C.

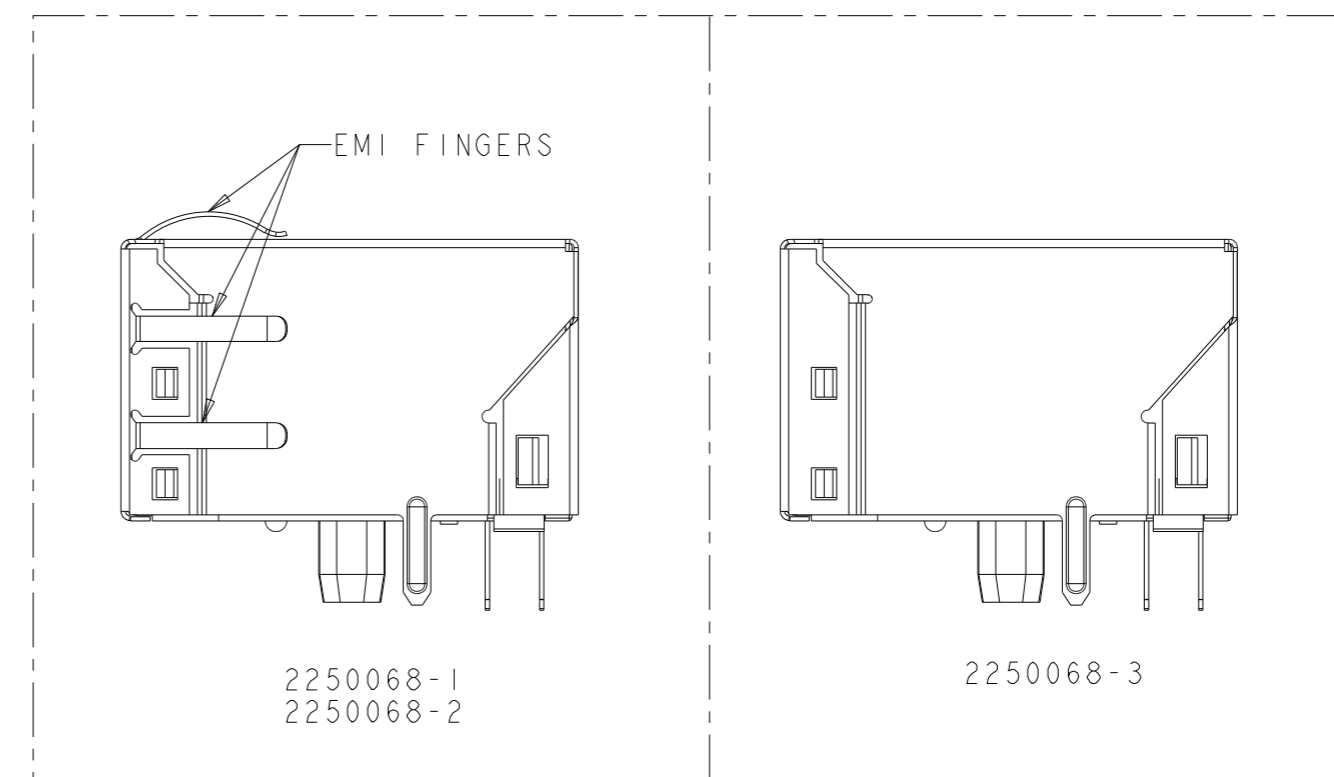
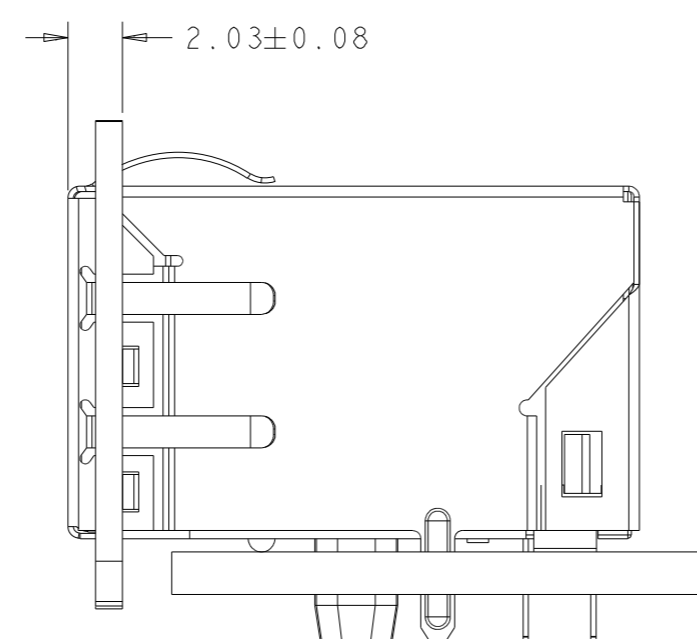
△ INDICATED MAGNETIC CONNECTIONS ARE SYMMETRICAL TO SUPPORT AUTO-MDI/MDIX.

△ TRP CONNECTOR LOGO, PART NUMBER, DATE CODE, COUNTRY OF ORIGIN AND AGENCY APPROVAL MARKING IN APPROXIMATE LOCATION SHOWN. DATE CODE: YYWW WHERE YY IS YEAR, WW IS WORK WEEK, D IS DAY OF WEEK, WITH SUNDAY=1.

7. PART SHOULD BE RECOMMENDED FOR WAVE SOLDERING PROCESS, PREHEAT TEMPERATURE IS 120°C TO 160°C, 120 SECONDS TO 180 SECONDS, PEAK WAVE SOLDERING TEMPERATURE IS 260°C MAX, 10 SECONDS MAX.



SUGGESTED PANEL CUTOUT



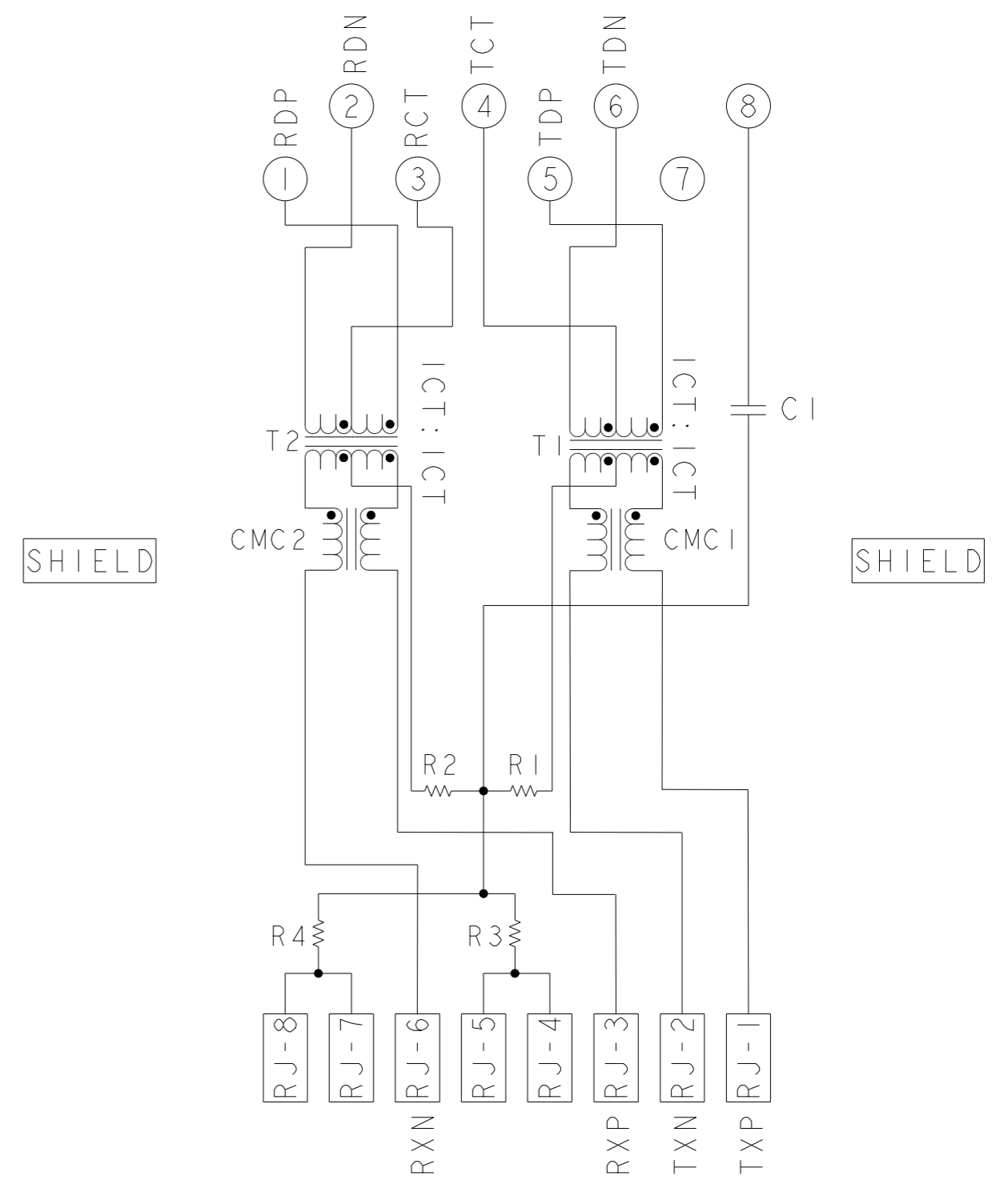
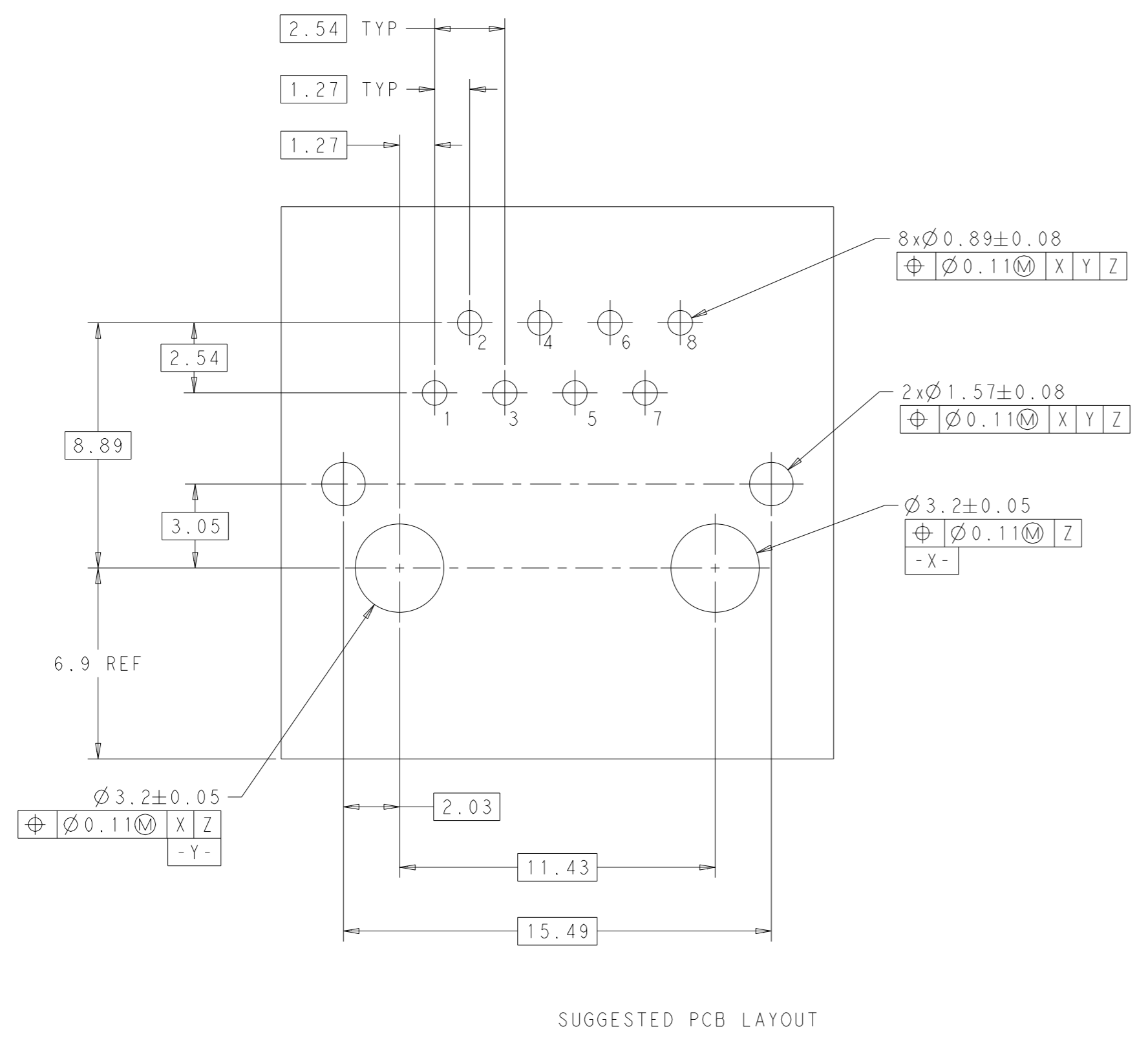
NO	3.68	2250068-3
YES	3.68	2250068-2
YES	2.30	2250068-1
EMI FINGERS	DIM A	PART NUMBER

THIS DRAWING IS A CONTROLLED DOCUMENT.		OWN ROY LIU 17DEC2013	DESC MAGJACK														
DIMENSIONS: mm		CHK TOWER YU / FRANK LIU 17DEC2013	SIZE A1														
TOLERANCES UNLESS OTHERWISE SPECIFIED:		APVD TONY YUAN 17DEC2013	SCALE 4:1														
<table border="1"> <tbody> <tr> <td>0 PLC</td> <td>±0.25</td> </tr> <tr> <td>1 PLC</td> <td>±0.25</td> </tr> <tr> <td>2 PLC</td> <td>±0.25</td> </tr> <tr> <td>3 PLC</td> <td>±0.25</td> </tr> <tr> <td>4 PLC</td> <td>±0.25</td> </tr> <tr> <td>ANGLES</td> <td>±</td> </tr> <tr> <td>APPLICATION SPEC</td> <td></td> </tr> </tbody> </table>		0 PLC	±0.25	1 PLC	±0.25	2 PLC	±0.25	3 PLC	±0.25	4 PLC	±0.25	ANGLES	±	APPLICATION SPEC		MODEL NAME MAGJACK	RESTRICTED TO -
0 PLC	±0.25																
1 PLC	±0.25																
2 PLC	±0.25																
3 PLC	±0.25																
4 PLC	±0.25																
ANGLES	±																
APPLICATION SPEC																	
PRODUCT SPEC		MODEL NAME SINGLE NON-POE	REV 2														
		CUSTOMER DRAWING	SHEET 1 OF 3														




NO	3.68	2250068-3
YES	3.68	2250068-2
YES	2.30	2250068-1
EMI FINGERS	DIM A	PART NUMBER


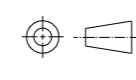
726 10/100 CIRCUIT



C1=1000pF, 2kV CAPACITOR
 R1-R4 = 75 Ohms, 1/16 W RESISTORS

THIS DRAWING IS A CONTROLLED DOCUMENT.		DWN ROY LIU 17DEC2013 CHK TOWER YU/ FRANK LIU 17DEC2013 APVD TONY YUAN 17DEC2013	 DONGGUAN CHINA
DIMENSIONS: mm	TOLERANCES UNLESS OTHERWISE SPECIFIED: 0 PLC ± 0.25 1 PLC ± 0.25 2 PLC ± 0.25 3 PLC ± 0.25 4 PLC \pm ANGLES \pm APPLICATION SPEC \pm	MODEL NAME MAGJACK	
PRODUCT SPEC	APPLICATION SPEC	SINGLE NON-POE	SIZE A1 CAGE CODE DRAWING NO. C=2250068 RESTRICTED TO CUSTOMER DRAWING
		SCALE 4:1	SHEET 2 OF 3 REV 2

C_2250068					STOCK DISPOSITION			
					A: CONTINUE AS IS B: REWORK C: SCRAP		D: USE OLD FIRST E: PARTS TO CONFORM F: OTHER	
REVISION HISTORY								
DATE	REV	CHANGES	REASON	APPROVAL	INVENTORY (A,B,C,D,E,F)	WORK IN PROCESS (A,B,C,F)	SUPPLIER ORDERS (A,E,F)	OPEN CUST ORDERS (A,E,F)
17DEC2013	1	-	INITIAL RELEASE	TONY YUAN	-	-	-	-
05JAN2015	2	EC-1411035 COMPANY LOGO CHANGE	MARKET REQUEST	TONY YUAN	-	-	-	-

THIS DRAWING IS A CONTROLLED DOCUMENT.		OWN ROY LIU	17DEC2013	 trp CONNECTOR <small>a bel group</small>	DONGGUAN CHINA		
DIMENSIONS: mm		CHK TOWER YU/ FRANK LIU	17DEC2013		DESC 1X1 726 10/100 TAB UP W/O LED		
		APPROV TONY YUAN	17DEC2013		SIZE CAGE CODE DRAWING NO RESTRICTED TO		
0 PLC ±0.25 1 PLC ±0.25 2 PLC ±0.25 3 PLC ±0.25 4 PLC ±0.25 ANGLES ±°		MODEL NAME MAGJACK		SINGLE NON-POE			
PRODUCT SPEC		APPLICATION SPEC		CUSTOMER DRAWING			
				SCALE 4:1 SHEET 3 OF 3 REV 2			