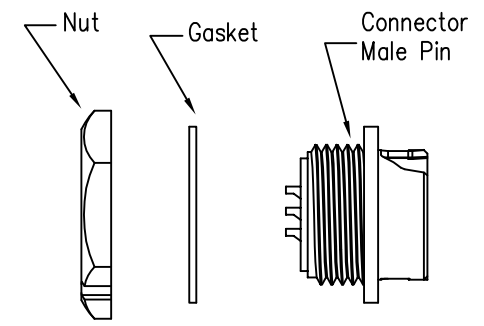
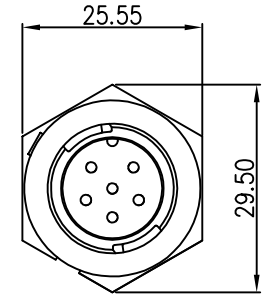
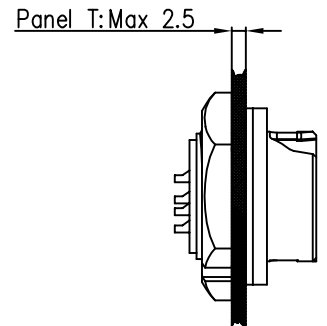
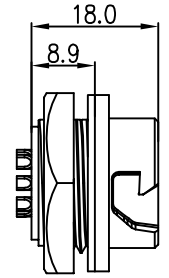


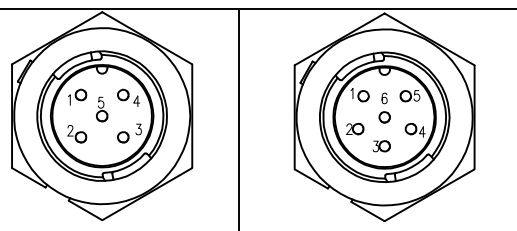
REV.	ECN NO.	DESCRIPTION	SIGN	DATE
C1	N/A	INITIAL DRAWING	Liu	2020/05/16



Recommended Panel Cut-Out

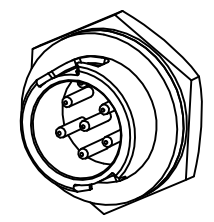


23XXX535-03
Pin Number



5 Pin	6 Pin
P/N: 23005535-03	P/N: 23006535-03
Pin Assignments Front View	

- Specification:
- 1.Operation Temperature: -45°C~105°C.
 - 2.Insulation Resistance: 100MΩ at DC500V.
 - 3.Contact Resistance: <math>< 10\text{m}\Omega</math>
 - 4.Withstand Voltage: 1500V AC
 - 5.Operating Current: 10A
 - 6.Operating Voltage: AC 125V
 - 7.Waterproof Rate: IP67 (Mated)
 - 8.Housing: Nylon, Black
 - 9.Male Pin: Copper Alloy, Gold Plated
 - 10.Gasket: Silicon Gray
 - 11.Panel Nut: Nylon, Orange
 - 12.Torque Rate: 0.8~1.0N · m
 - 13.RoHS Compliant.
 - 14.UL Compliant.
 - 15.Mating Cap P/N: 806-00103-00



CHOGORI

UNIT:mm		DESCRIPTION Middle Series Push Lock Rear Mount With Male Pin	PART NO 23XXX535-03	DRAWN BY Liu	DATE 2020/05/16
TOLERANCE .X ±0.25 .XX ±0.15 .XXX ±0.05 ANGLES ±1°	SCALE 1:1	SHEET 1 OF 1	DWG NO	CHECKED BY Mo	DATE 2020/05/16
REV. C1	SIZE A4	* : Inspection Item	CUSTOMER	APPROVED BY Adley	DATE 2020/05/16

THIS INFORMATION IS CONFIDENTIAL AND IS DISCLOSED TO YOU ON CONDITION THAT NO FURTHER DISCLOSURE IS MADE BY YOU TO OTHER THAN CHOGORI PERSONNEL WITHOUT AUTHORIZATION FROM CHOGORI CORP.