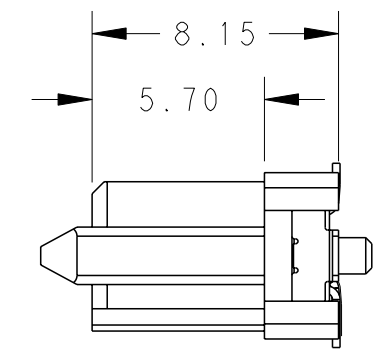
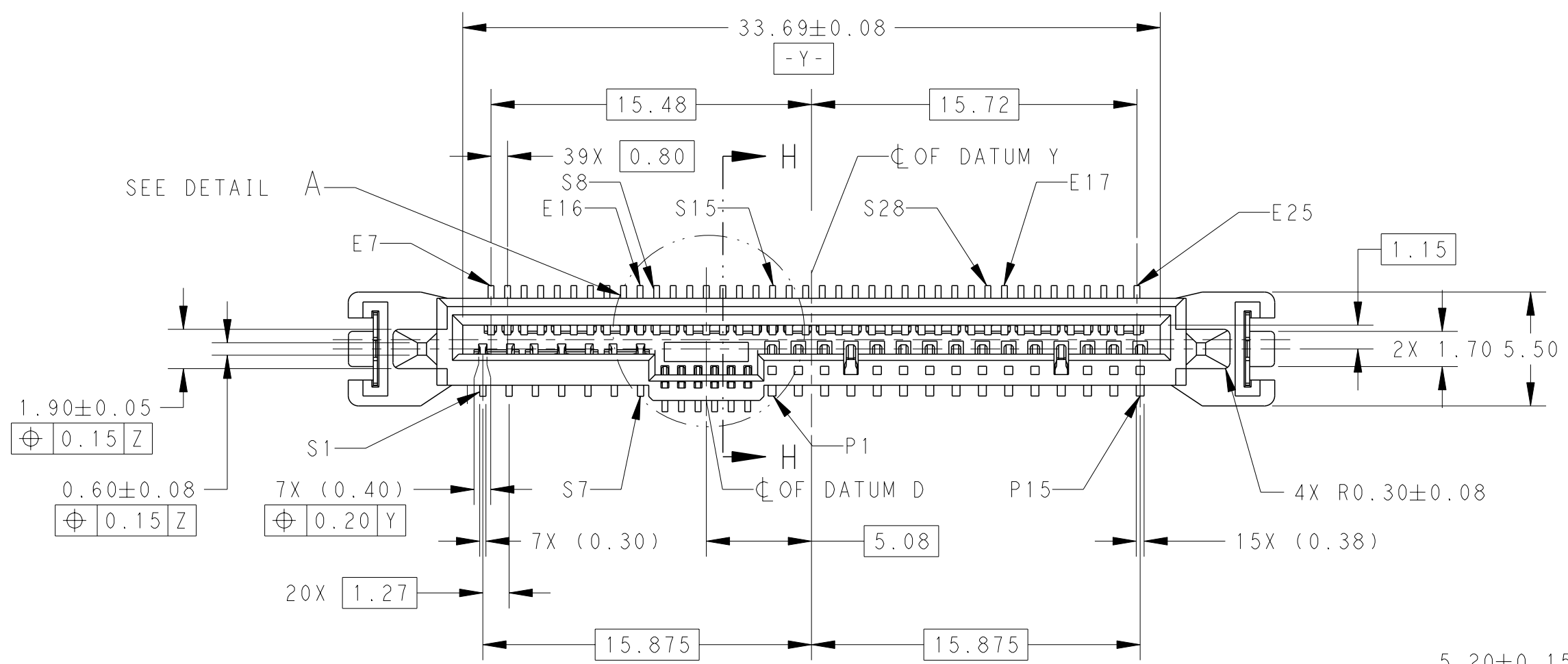
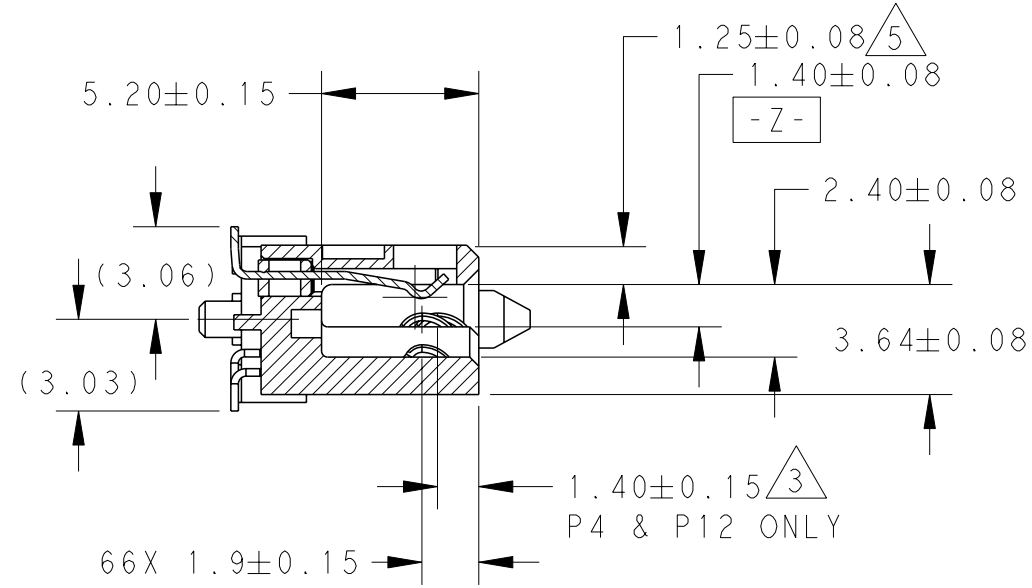


THIS DRAWING IS UNPUBLISHED. RELEASED FOR PUBLICATION 20
 © COPYRIGHT 20 BY - ALL RIGHTS RESERVED.

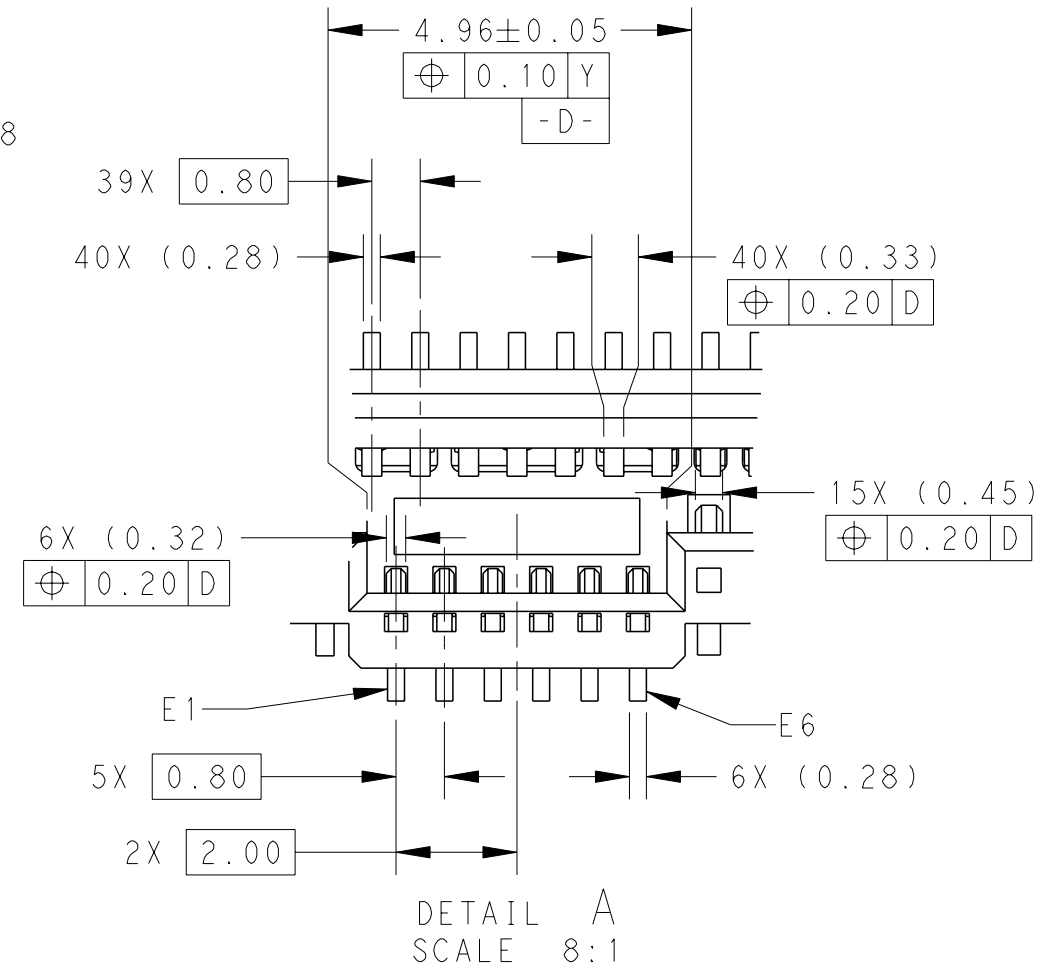
REVISIONS				
P	LTR	DESCRIPTION	DATE	APVD
A		RELEASED FOR PRODUCTION	14JAN2021	DZ



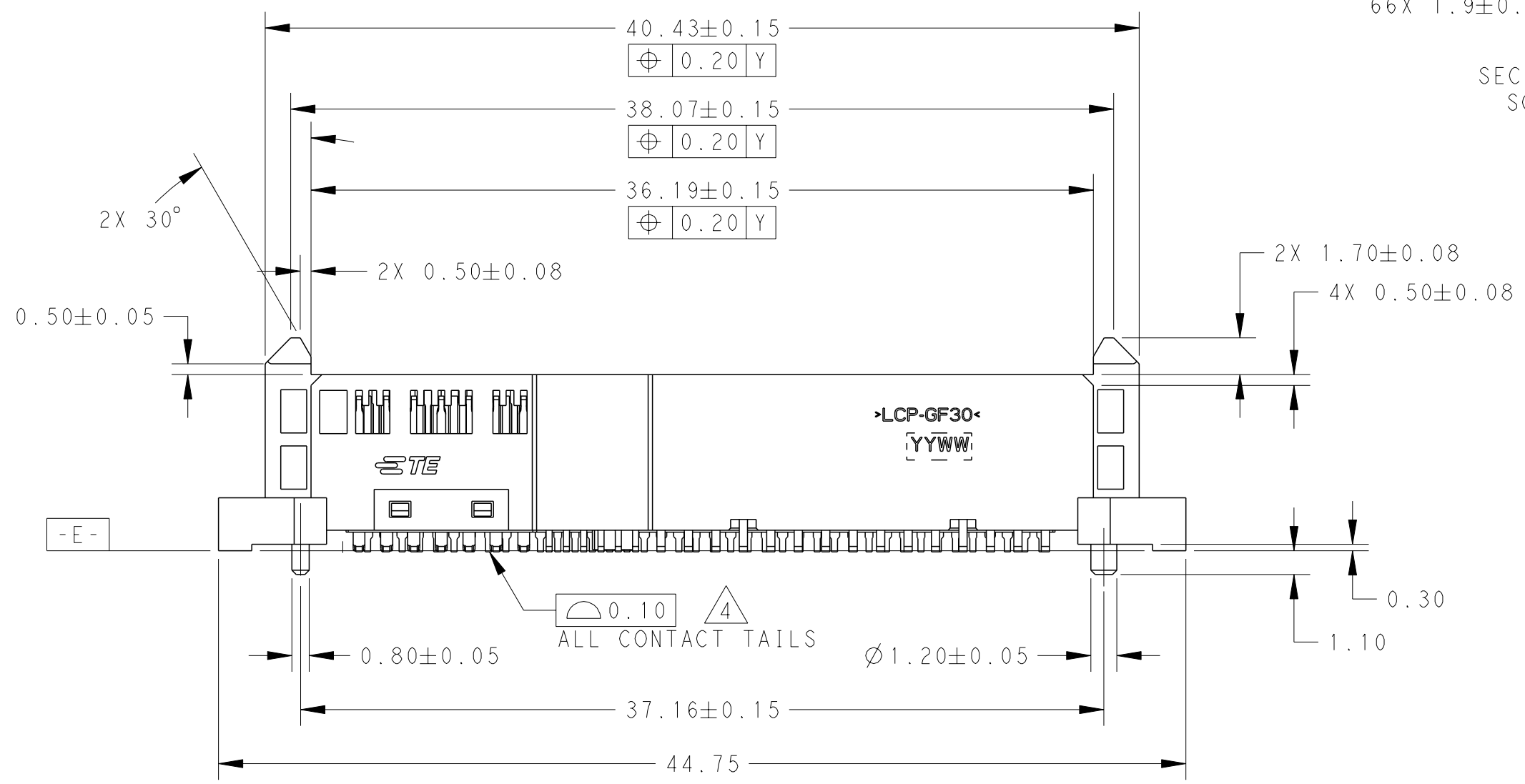
- NOTES:
- 1 MATERIAL:
HOUSING: HIGH TEMP THERMOPLASTIC, UL94V-0,
COLOR: BLACK
CONTACT: COPPER ALLOY
BOARDLOCK: COPPER ALLOY
 - 2 FINISH:
CONTACT AREA:
MIN 0.76µm GOLD PLATING
SOLDERTAIL: MIN 2.54µm MATTE TIN PLATING
UNDERPLATE: MIN 1.27µm NICKEL PLATING
 - 3 PIN #P4 AND #P12 ONLY
 - 4 SOLDERTAIL TO BE 0.05 MAX ABOVE AND 0.10 MAX BELOW DATUM E



SECTION H-H
SCALE 4:1



DETAIL A
SCALE 8:1



TRAY	YES	2354166-3
TAPE & REEL	YES	2354166-2
TRAY	NO	2354166-1
PACKAGING	PICK-UP CAP (1)	PART NUMBER

THIS DRAWING IS A CONTROLLED DOCUMENT.

DWN	TIM XUE	13JUN2019
CHK	DAVID ZHANG	13JUN2019
APVD	DAVID ZHANG	13JUN2019

TE Connectivity

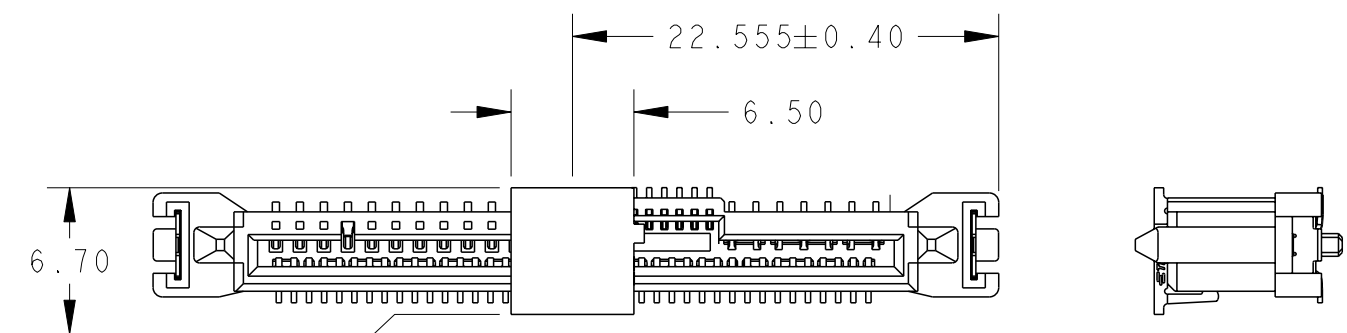
SAS/PCIE 4.0 (U.2/U.3) RECEPTACLE, 68POS

SIZE	CAGE CODE	DRAWING NO	RESTRICTED TO
A200779	C-2354166		

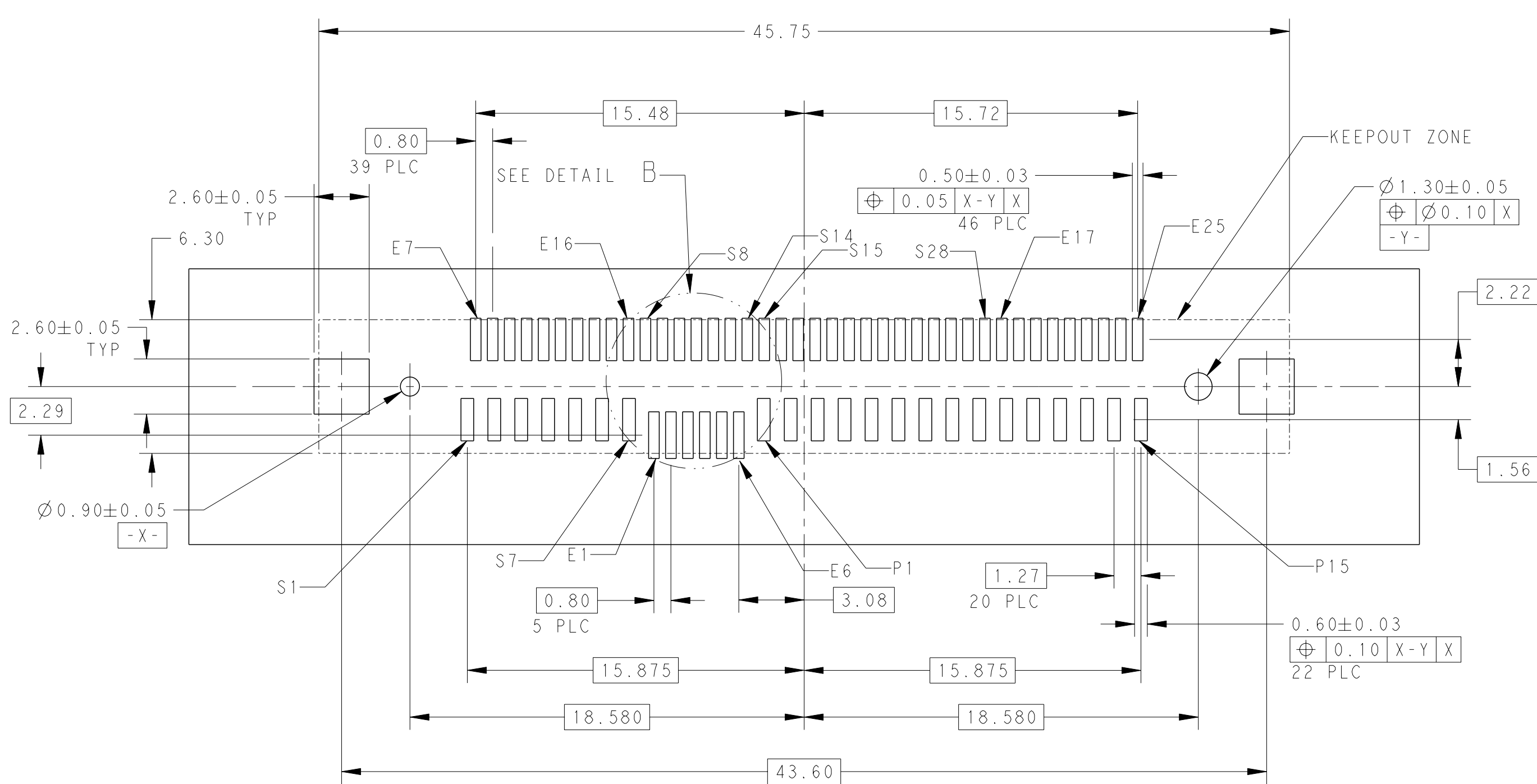
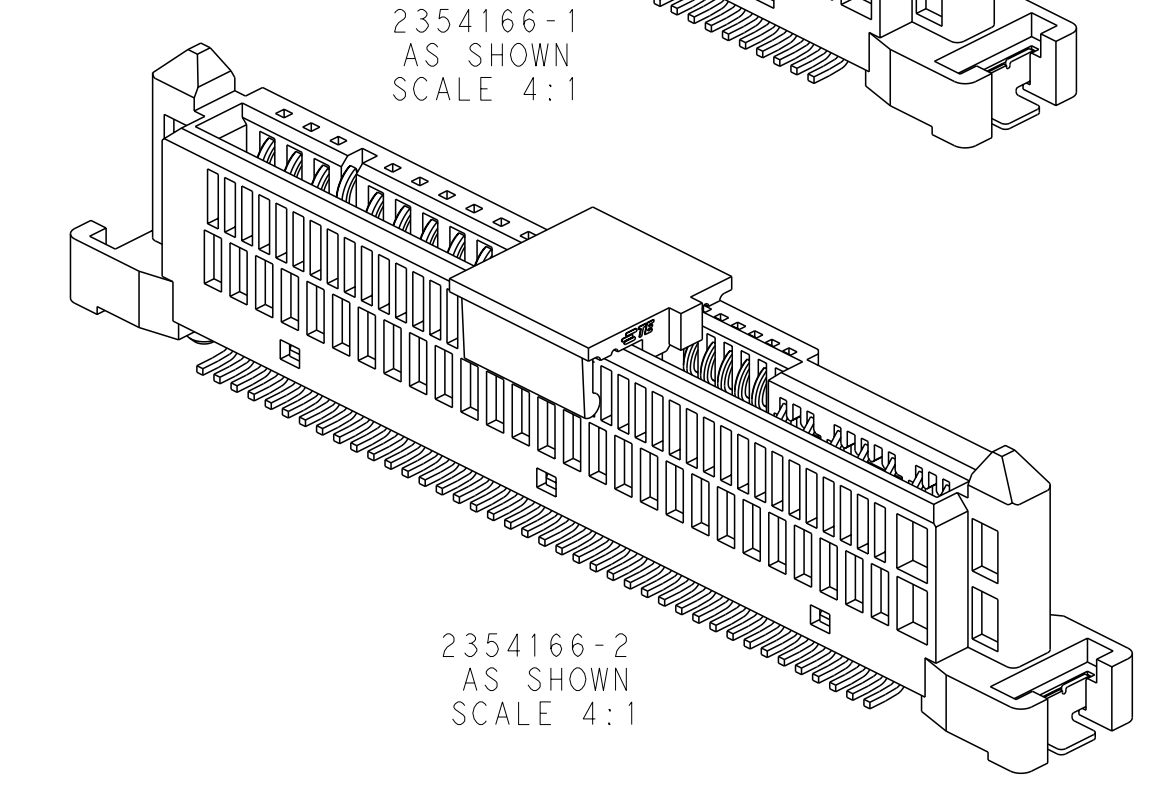
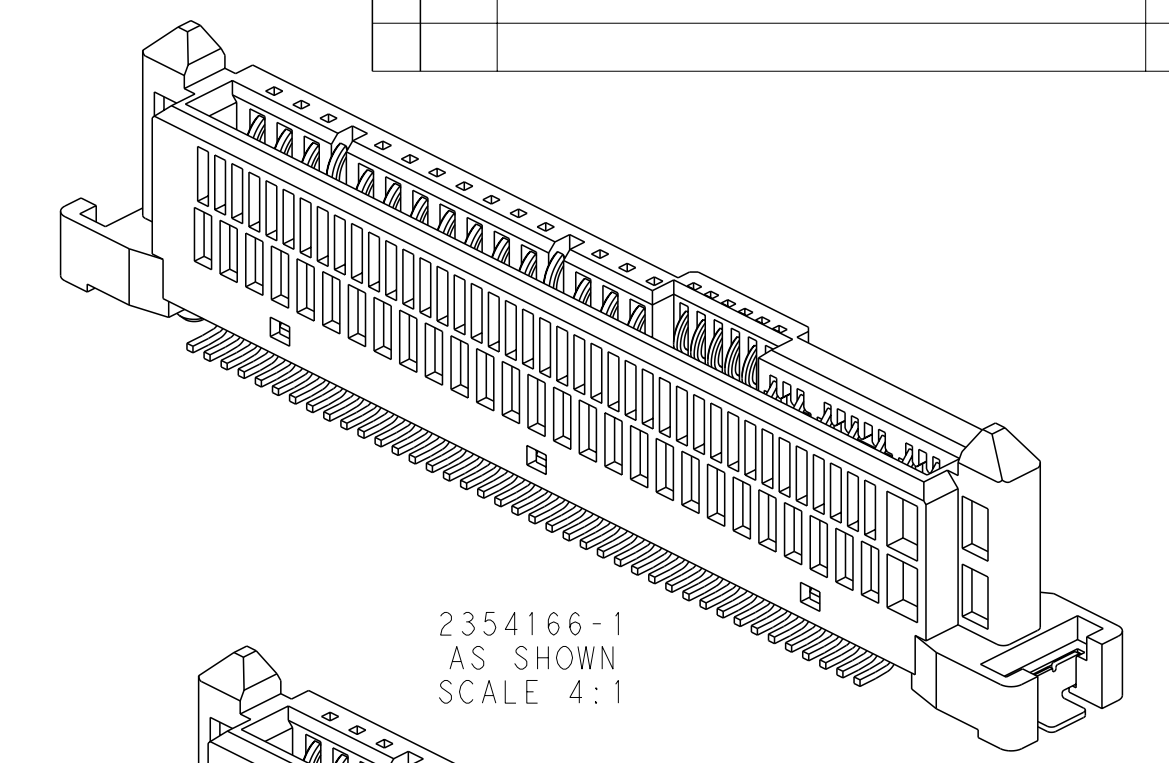
SCALE 2:1 SHEET 1 OF 2 REV A

THIS DRAWING IS UNPUBLISHED. RELEASED FOR PUBLICATION 20
 © COPYRIGHT 20 BY - ALL RIGHTS RESERVED.

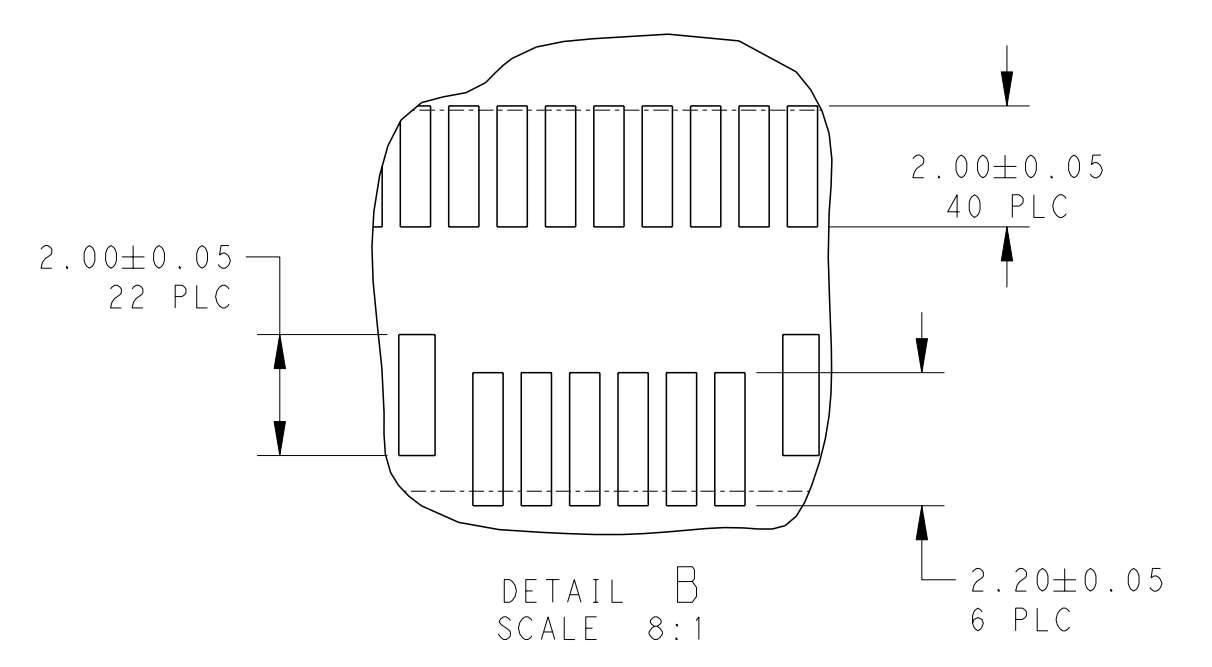
LOC		DIST		REVISIONS			
P	LTR	DESCRIPTION	DATE	DWN	APVD		
-	-	SEE SHEET 1	-	-	-		



P/N: 2354166-2 AS SHOWN
 RECEPTACLE WITH PICK-UP CAP



RECOMMENDED RECEPTACLE BOARD LAYOUT
 SCALE 5:1



DETAIL B
 SCALE 8:1

THIS DRAWING IS A CONTROLLED DOCUMENT.		DWN TIM XUE 13 JUN 2019	TE Connectivity	
DIMENSIONS: mm		CHK DAVID ZHANG 13 JUN 2019		
TOLERANCES UNLESS OTHERWISE SPECIFIED:		APVD DAVID ZHANG 13 JUN 2019	NAME SAS/PCIE 4.0 (U.2/U.3) RECEPTACLE, 68POS	
0 PLC ± 1 PLC ±0.20 2 PLC ±0.20 3 PLC ±0.20 4 PLC ± ANGLES ±3° FINISH		PRODUCT SPEC	SIZE A200779	DRAWING NO C-2354166
MATERIAL		APPLICATION SPEC	RESTRICTED TO	
		WEIGHT	SCALE 2:1	SHEET 2 OF 2
		CUSTOMER DRAWING	REV A	