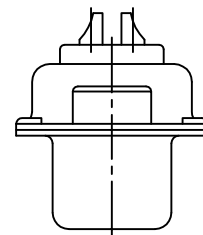
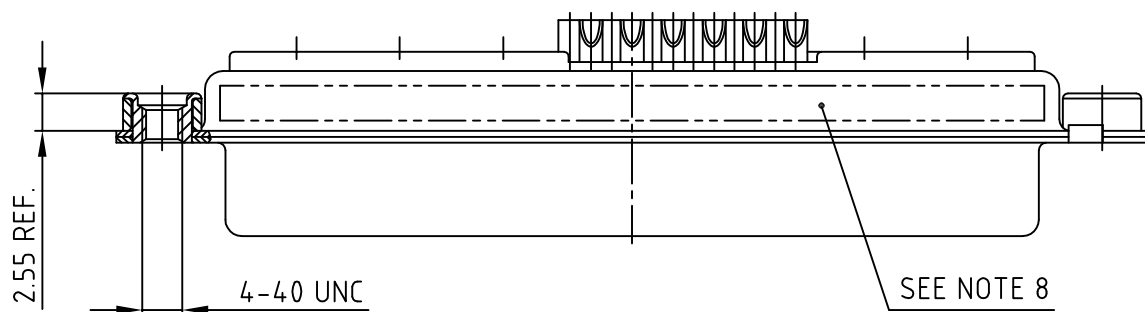
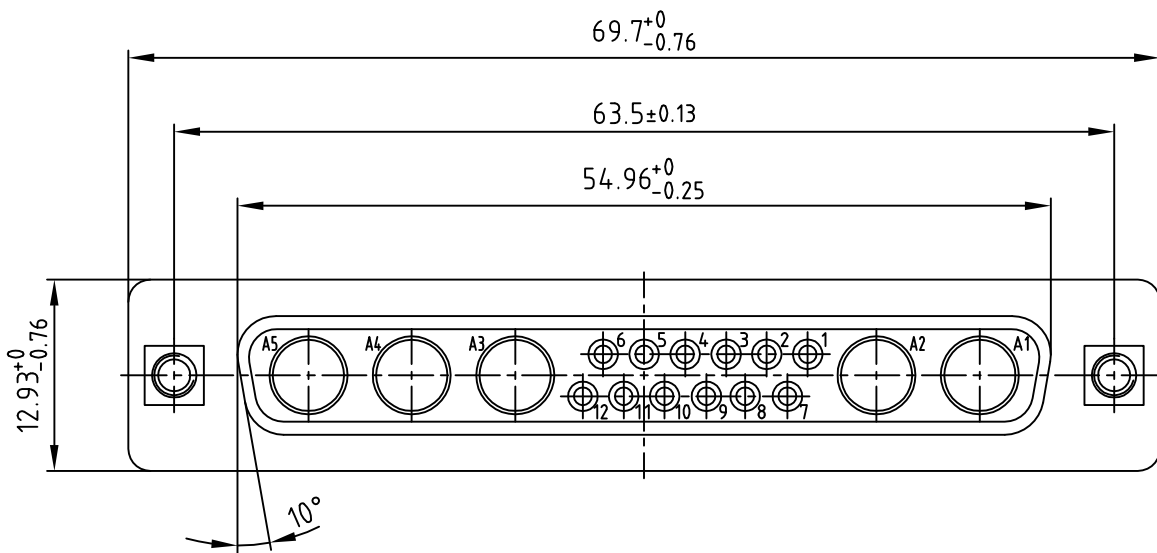
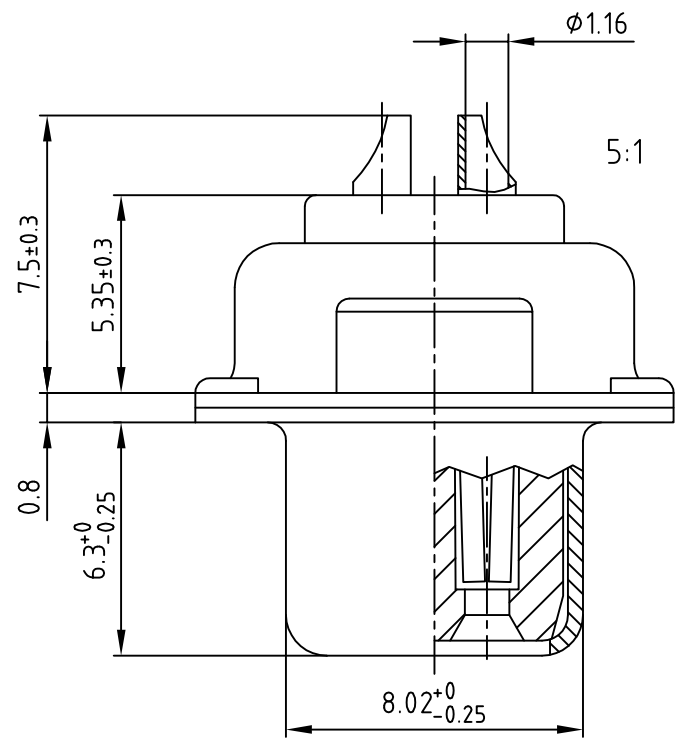


used for: D-SUB COMBINATION



NOTES:

1. METALSHELLS: STEEL; min. 320µin TIN
2. INSULATORS: PBT GF UL 94 V-0; GREEN
3. SIGNAL CONTACTS: COPPER ALLOY
PLATING: 30µin HARD GOLD over min. 50µin NICKEL
SOLDER CUP ACCEPTS CABLE AWG 20
4. NO CONTACTS ON POS. A1-A5
5. THREADED INSERT: COPPER ALLOY; min. 200µin TIN over 80µin NICKEL
6. COLLAR: COPPER ALLOY; min. 200µin TIN over 80µin NICKEL
7. MAXIMUM TORQUE VALUE FOR THREAD: 6 in.LB
8. CONNECTOR IS PART MARKED: 3017W5SCM99A30X CONEC ABC

Directive 2002/95/EC RoHS compliant

APPROVAL # FREIGABE # DEBLOCAGE # AUTORIZACION # APPROVAL	
CUSTOMER APPROVAL DATE:	
NAME:	TITLE:
COMPANY NAME:	
APPROVAL # FREIGABE # DEBLOCAGE # AUTORIZACION # APPROVAL	

THIS DRAWING MAY NOT BE COPIED OR REPRODUCED IN ANY WAY, AND MAY NOT BE PASSED ON TO A THIRD PARTY WITHOUT WRITTEN PERMISSION. OWNERSHIP AND COPYRIGHT OF CONEC GmbH DO NOT ALTER CAD DRAWING BY HAND			
a	Origin	date	name
rev.	description	date	name

tolerance		 dim. in mm	scale: 2:1 (5:1)
2006			material: SEE NOTES
date	name	title: D-SUB COMBINATION FEMALE 17W5S SOLDER CUP with threaded insert	
drawn 08.02.	Lehmenkühler		
appd. 09.02.	Mickenbecker		
norm		dwg no:	AutoCAD 2004
d-old			DIN-A
			3
			sh:1/1
part no: 3017W5SCM99A30X			