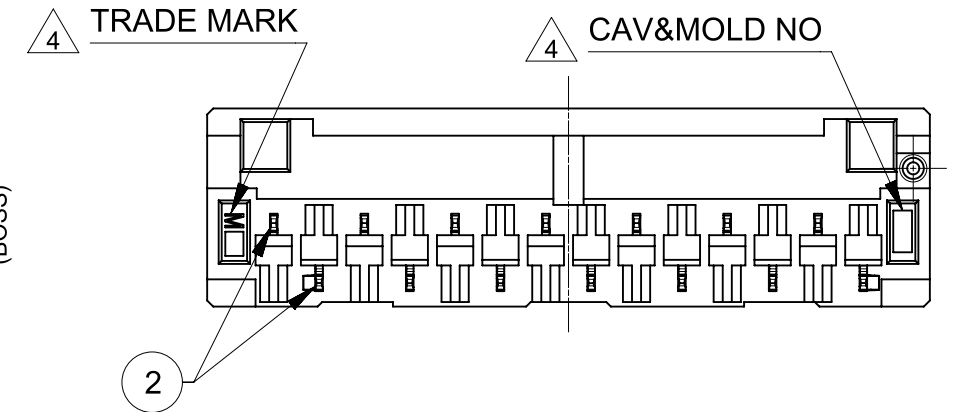
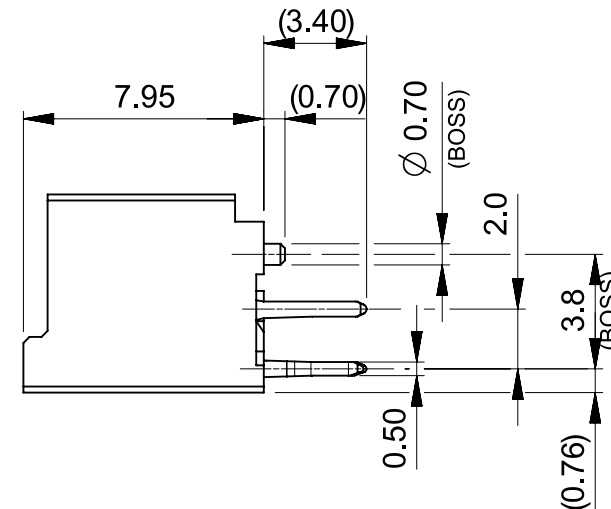


NOTES

- ① 極数/2 = 偶数に適応
APPLY FOR CIRCUIT SIZE / 2 =EVEN
- ② 適用製品及び各種仕様書はSHEET 5を参照のこと
REFER TO SHEET 5 ABOUT APPLICABLE PRODUCTS AND VARIOUS SPECIFICATIONS.

- ④ トレードマーク：Mプラス 1~2文字のアルファベットにて表示。(例：MXJ)
但し、"J"はJAPANを表す。
キャビティー番号：1~2桁の数字で構成。
金型番号：アルファベット1文字にて構成。



- ③ オーダー番号(製品番号): SHEET 3の製品一覧を参照のこと
ORDER No (PRODUCT No) : REFER TO SHEET 3 FOR PRODUCT LIST.

503159 ****

シリーズ番号 極数 色
SERIES NO CIRCUIT SIZE COLOR
ボス有無
WITH OR WITHOUT BOSS

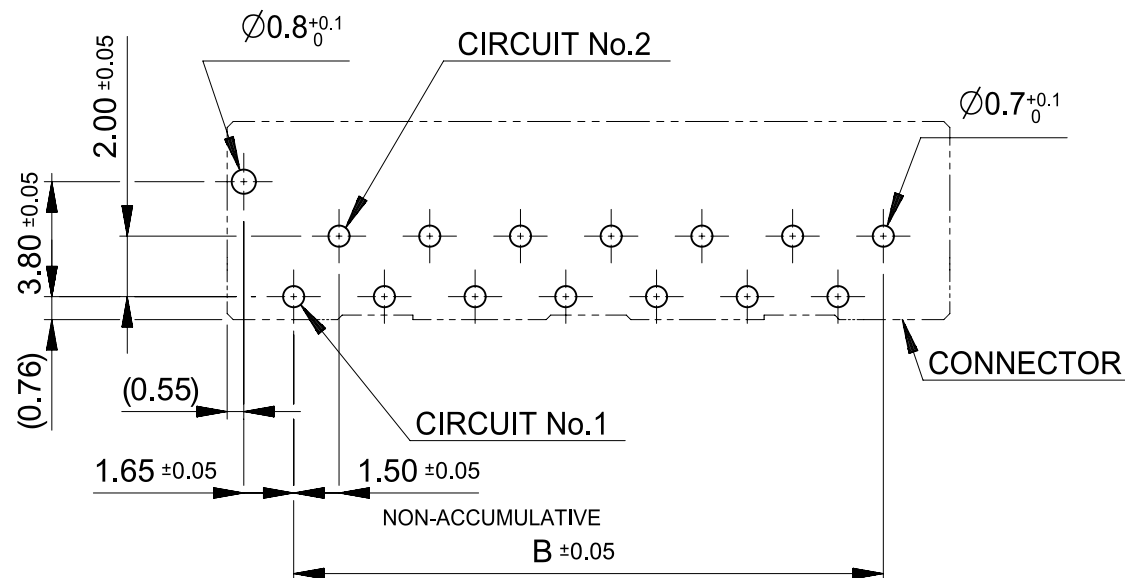
CIRCUIT	BOSS	COLOR	
		0	1
02~15	0: WITH BOSS 1: W/O BOSS	0	ナチュラル (ページユ) NATURAL (BEIGE)
		1	黒 BLACK
		2	赤 RED
		3	黄 YELLOW
		4	青 BLUE
		5	桃 PINK
		6	緑 GREEN
		7	茶 BROWN
		8	橙 ORANGE
02~05	2: WITH BOSS 3: W/O BOSS	1	灰 GRAY
		4	水 PALE BLUE
		6	黄緑 YELLOWISH GREEN
02		3	蛍光黄 FLUORESCENCE YELLOW

12.15	±0.25	21	25.4	±0.25	15
11.4		19.5	23.9		14
10.65		18	22.4		13
9.9	(±0.20)	16.5	20.9	(±0.20)	12
9.15		15	19.4		11
8.4		13.5	17.9		10
7.65		12	16.4		9
6.9		10.5	14.9		8
6.15		9	13.4		7
5.4		7.5	11.9		6
4.65		6	10.4		5
3.9		4.5	8.9		4
3.15	3	7.4	3		
2.4	1.5	5.9	2		
C		B		A	
				極数 CIRCUIT NO	

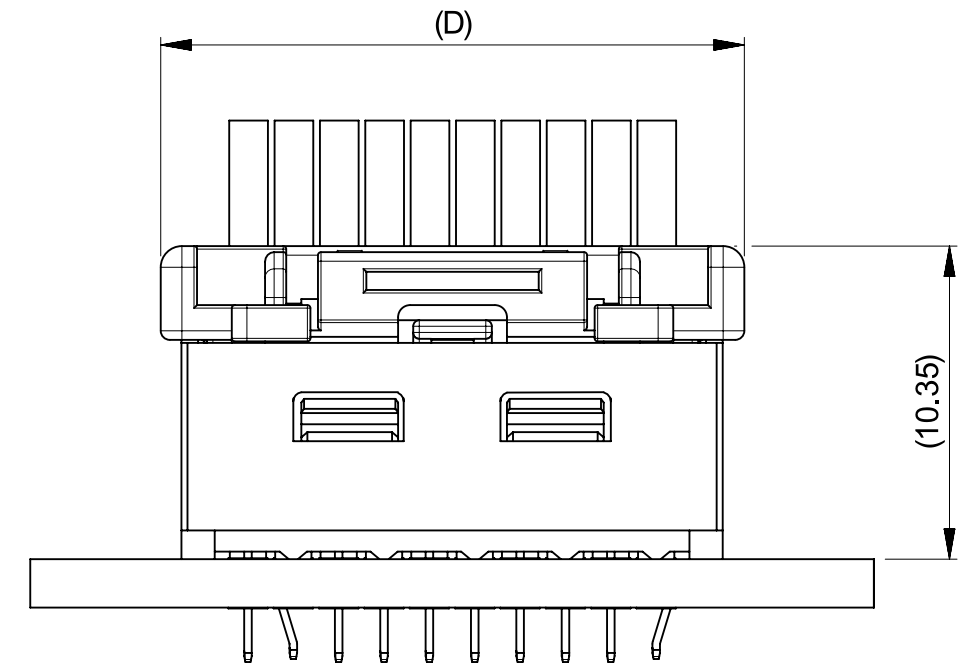
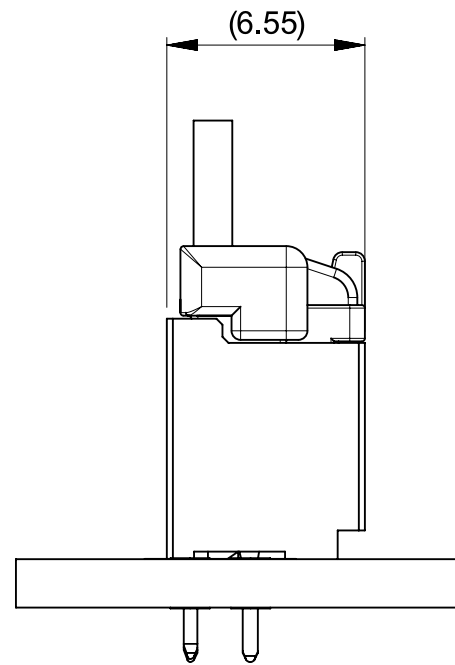
番号 NO.	部品 PART	材質 MATERIAL
①	ハウジング HOUSING	ポリアミド(PA) UL94V-0 色 : SEE CHART POLYAMIDE(PA) UL94V-0 COLOR : SEE CHART
②	ターミナル TERMINAL	銅合金 COPPER ALLOY
		錫めっき : 1.0 micro-meter MIN MATTE TIN PLATING ニッケルめっき(下地) : 1.0 micro-meter MIN NICKEL (UNDER PLATING)

THIS DRAWING CONTAINS INFORMATION THAT IS PROPRIETARY TO MOLEX ELECTRONIC TECHNOLOGIES, LLC AND SHOULD NOT BE USED WITHOUT WRITTEN PERMISSION

DIMENSION UNITS	SCALE	CURRENT REV DESC:	
mm	NTS	molex CLIK-MATE 1.5 SINGLE ROW DIP VT TYPE PRODUCT CUSTOMER DRAWING	
GENERAL TOLERANCES (UNLESS SPECIFIED)			
ANGULAR TOL	± 3.0 °		
4 PLACES	± 0.2	EC NO: 632623	2019/06/18
3 PLACES	± 0.2	DRWN: MIKEDA01	2020/02/28
2 PLACES	± 0.2	CHK'D: SAKIYAMA	2020/03/03
1 PLACE	± 0.2	APPR: KOMURAKAMI	
0 PLACES	± 0.2	INITIAL REVISION:	
DRAFT WHERE APPLICABLE MUST REMAIN WITHIN DIMENSIONS		DRWN: MIKEDA01	2019/06/18
THIRD ANGLE PROJECTION		APPR: KOMURAKAMI	2020/03/03
DRAWING	SERIES	MATERIAL NUMBER	CUSTOMER
A3-SIZE	503159	SEE TABLE	GENERAL
DOCUMENT NUMBER		DOC TYPE	DOC PART
5031590000-SD		PSD	000
SHEET NUMBER		REVISION	
1 OF 5		A	



基板取付穴推奨寸法 (マウント面)
RECOMMENDED PCB HOLE DIMENSION
(MOUNTING SIDE) (t=1.6)



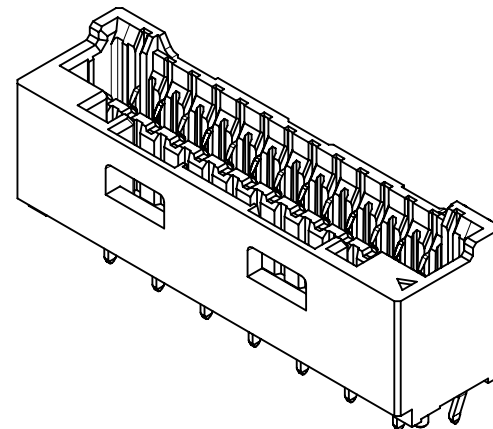
嵌合図
MATED CONNECTORS

適用製品及び各種仕様書
APPLICABLE PRODUCTS AND VARIOUS SPECIFICATIONS

	PART NUMBER	DOCUMENT NUMBER
梱包仕様書 PACKAGING SPECIFICATION	503159 **0*	SPK-503159-001
	503159 **1*	
	503159 **2*	
	503159 **3*	

適用嵌合相手 MATE WITH	HOUSING	TERMINAL	
		#24-28	#28-30
シリーズ番号 SERIES NUMBER	502578	502579	503429
製品仕様書 PRODUCT SPECIFICATION	5025780002-PS		
アプリケーション仕様書 APPLICATION SPECIFICATION	AS-502578-001		

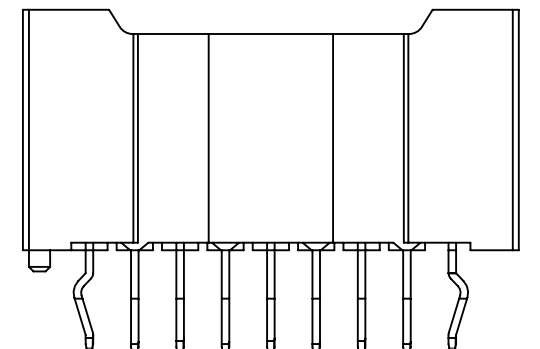
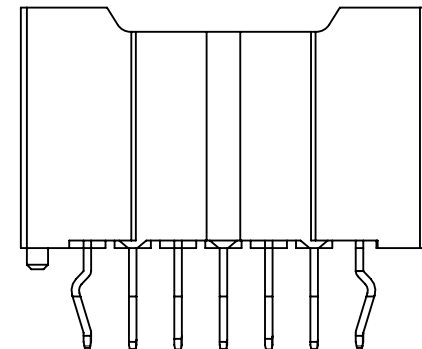
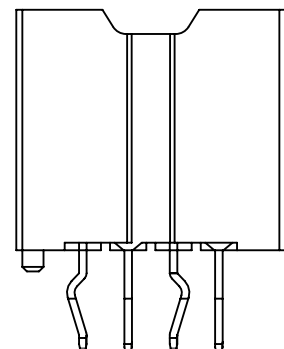
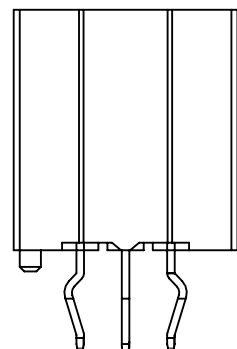
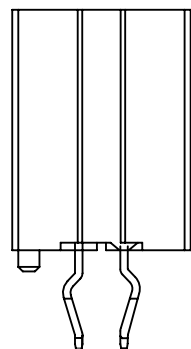
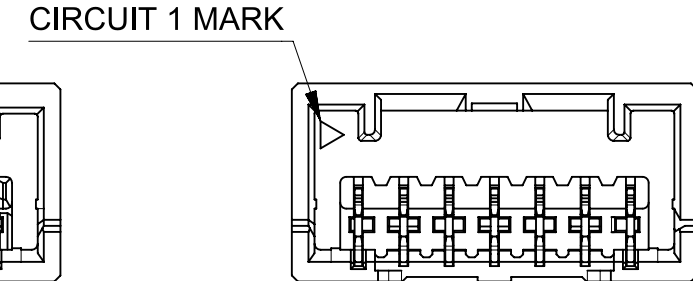
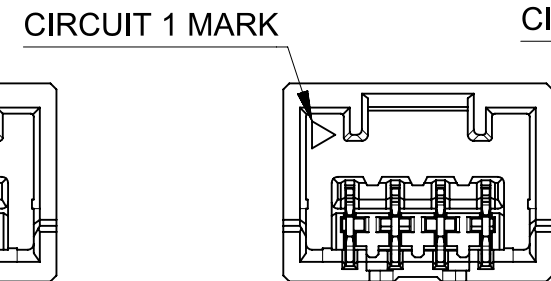
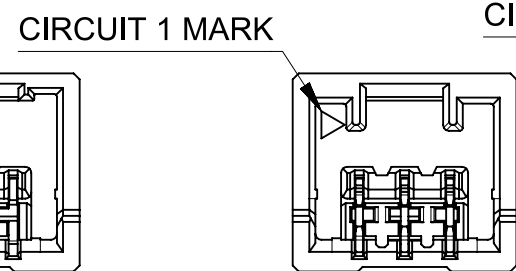
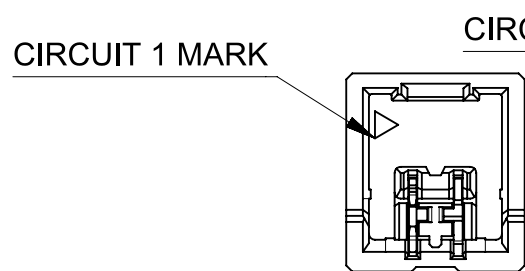
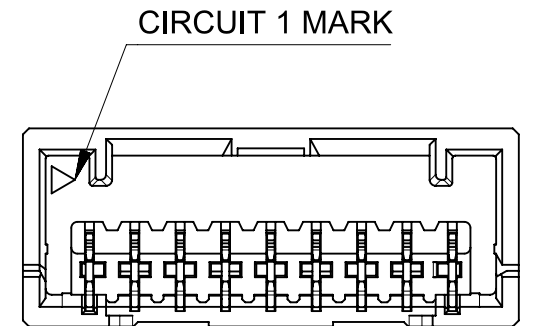
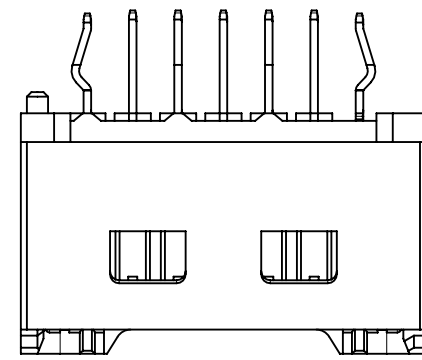
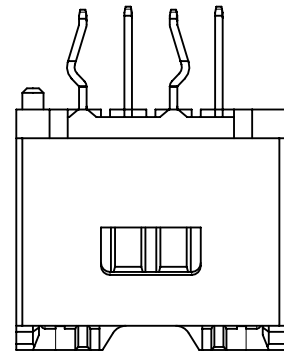
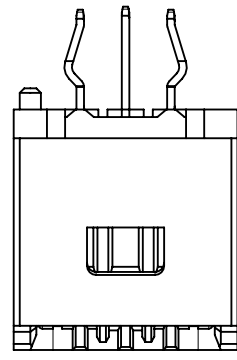
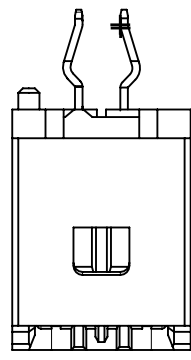
26.8	15
25.3	14
23.8	13
22.3	12
20.8	11
19.3	10
17.8	9
16.3	8
14.8	7
13.3	6
11.8	5
10.3	4
8.8	3
7.3	2
D	CIRCUIT



THIS DRAWING CONTAINS INFORMATION THAT IS PROPRIETARY TO MOLEX ELECTRONIC TECHNOLOGIES, LLC AND SHOULD NOT BE USED WITHOUT WRITTEN PERMISSION

DIMENSION UNITS mm	SCALE NTS	CURRENT REV DESC:		molex			
GENERAL TOLERANCES (UNLESS SPECIFIED)		EC NO: 632623					
ANGULAR TOL	± 3.0 °	DRWN: MIKEDA01 2019/06/18		PRODUCT CUSTOMER DRAWING			
4 PLACES	± 0.2	CHK'D: SAKIYAMA 2020/02/28		DOCUMENT NUMBER			
3 PLACES	± 0.2	APPR: KOMURAKAMI 2020/03/03		5031590000-SD		DOC TYPE	DOC PART
2 PLACES	± 0.2	INITIAL REVISION:		PSD 000 A			
1 PLACE	± 0.2	DRWN: MIKEDA01 2019/06/18		SHEET NUMBER			
0 PLACES	± 0.2	APPR: KOMURAKAMI 2020/03/03		2 OF 5			
DRAFT WHERE APPLICABLE MUST REMAIN WITHIN DIMENSIONS		THIRD ANGLE PROJECTION	DRAWING	SERIES	MATERIAL NUMBER	CUSTOMER	
			A3-SIZE	503159	SEE TABLE	GENERAL	

極数別ハウジング形状
HOUSING SHAPE AT EACH CKT



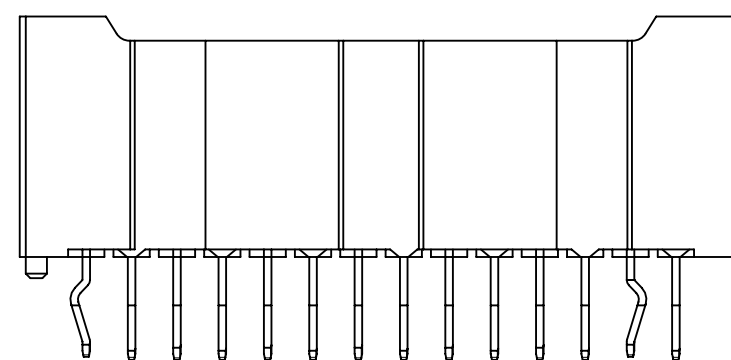
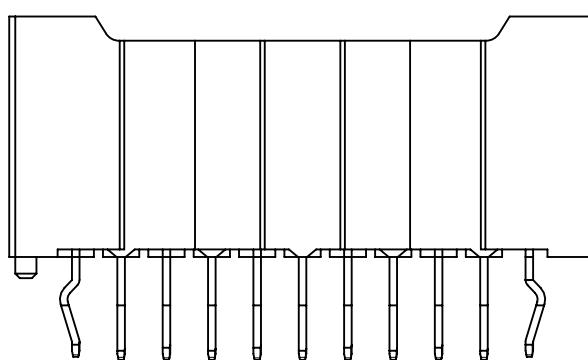
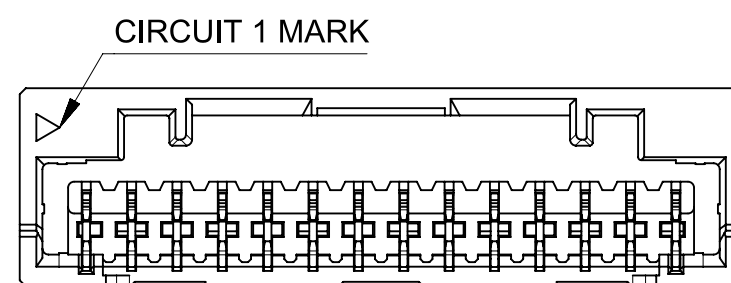
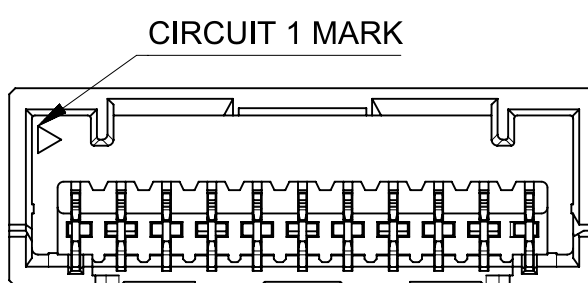
2極
2 CIRCUITS

3極
3 CIRCUITS

4~5極
4-5 CIRCUITS

6~7極
6-7 CIRCUITS

8~10極
8-10 CIRCUITS



11極
11 CIRCUITS

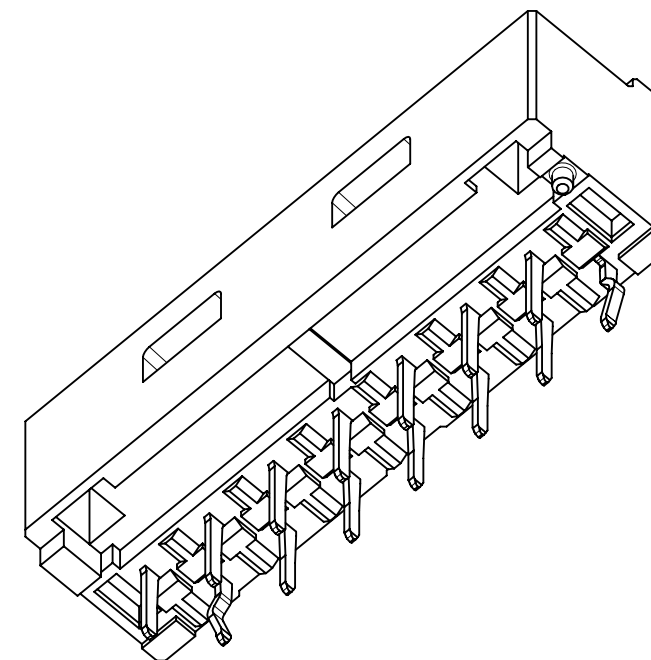
12~15極
12-15 CIRCUITS

THIS DRAWING CONTAINS INFORMATION THAT IS PROPRIETARY TO MOLEX ELECTRONIC TECHNOLOGIES, LLC AND SHOULD NOT BE USED WITHOUT WRITTEN PERMISSION													
DIMENSION UNITS		SCALE		CURRENT REV DESC:									
mm		NTS		<p>molex</p> <p>CLIK-MATE 1.5 SINGLE ROW DIP VT TYPE</p> <p>PRODUCT CUSTOMER DRAWING</p> <p>DOCUMENT NUMBER: 5031590000-SD DOC TYPE: PSD DOC PART: 000 REVISION: A</p>									
GENERAL TOLERANCES (UNLESS SPECIFIED)													
ANGULAR TOL ± 3.0°													
4 PLACES ± 0.2													
3 PLACES ± 0.2													
2 PLACES ± 0.2													
1 PLACE ± 0.2				INITIAL REVISION:									
0 PLACES ± 0.2				DRWN: MIKEDA01 2019/06/18									
				APPR: KOMURAKAMI 2020/02/28									
				DRWN: MIKEDA01 2019/06/18									
				APPR: KOMURAKAMI 2020/03/03									
DRAFT WHERE APPLICABLE MUST REMAIN WITHIN DIMENSIONS		THIRD ANGLE PROJECTION		DRAWING		SERIES		MATERIAL NUMBER		CUSTOMER		SHEET NUMBER	
				A3-SIZE		503159		SEE TABLE		GENERAL		3 OF 5	

製品一覧
PRODUCTS LIST

ボス有 WITH BOSS										BOSS
紫 VIOLET	橙 ORANGE	茶 BROWN	緑 GREEN	桃 PINK	青 BLUE	黄 YELLOW	赤 RED	黒 BLACK	ナチュラル(ベージュ) NATURAL(BEIGE)	HOUSING COLOR
503159 1509	503159 1508	503159 1507	503159 1506	503159 1505	503159 1504	503159 1503	503159 1502	503159 1501	503159 1500	15
503159 1409	503159 1408	503159 1407	503159 1406	503159 1405	503159 1404	503159 1403	503159 1402	503159 1401	503159 1400	14
503159 1309	503159 1308	503159 1307	503159 1306	503159 1305	503159 1304	503159 1303	503159 1302	503159 1301	503159 1300	13
503159 1209	503159 1208	503159 1207	503159 1206	503159 1205	503159 1204	503159 1203	503159 1202	503159 1201	503159 1200	12
503159 1109	503159 1108	503159 1107	503159 1106	503159 1105	503159 1104	503159 1103	503159 1102	503159 1101	503159 1100	11
503159 1009	503159 1008	503159 1007	503159 1006	503159 1005	503159 1004	503159 1003	503159 1002	503159 1001	503159 1000	10
503159 0909	503159 0908	503159 0907	503159 0906	503159 0905	503159 0904	503159 0903	503159 0902	503159 0901	503159 0900	9
503159 0809	503159 0808	503159 0807	503159 0806	503159 0805	503159 0804	503159 0803	503159 0802	503159 0801	503159 0800	8
503159 0709	503159 0708	503159 0707	503159 0706	503159 0705	503159 0704	503159 0703	503159 0702	503159 0701	503159 0700	7
503159 0609	503159 0608	503159 0607	503159 0606	503159 0605	503159 0604	503159 0603	503159 0602	503159 0601	503159 0600	6
503159 0509	503159 0508	503159 0507	503159 0506	503159 0505	503159 0504	503159 0503	503159 0502	503159 0501	503159 0500	5
503159 0409	503159 0408	503159 0407	503159 0406	503159 0405	503159 0404	503159 0403	503159 0402	503159 0401	503159 0400	4
503159 0309	503159 0308	503159 0307	503159 0306	503159 0305	503159 0304	503159 0303	503159 0302	503159 0301	503159 0300	3
503159 0209	503159 0208	503159 0207	503159 0206	503159 0205	503159 0204	503159 0203	503159 0202	503159 0201	503159 0200	2
オーダー番号 ORDER NO										極数 CIRCUIT NO

ボス有 WITH BOSS				BOSS
黄緑 YELLOWISH GREEN	水 PALE BLUE	蛍光黄 FLUORESCENCE YELLOW	灰 GRAY	HOUSING COLOR
-	-	-	-	15
-	-	-	-	14
-	-	-	-	13
-	-	-	-	12
-	-	-	-	11
-	-	-	-	10
-	-	-	-	9
-	-	-	-	8
-	-	-	-	7
-	-	-	-	6
503159 0526	503159 0524	-	503159 0521	5
503159 0426	503159 0424	-	503159 0421	4
503159 0326	503159 0324	-	503159 0321	3
503159 0226	503159 0224	503159 0223	503159 0221	2
オーダー番号 ORDER NO				極数 CIRCUIT NO

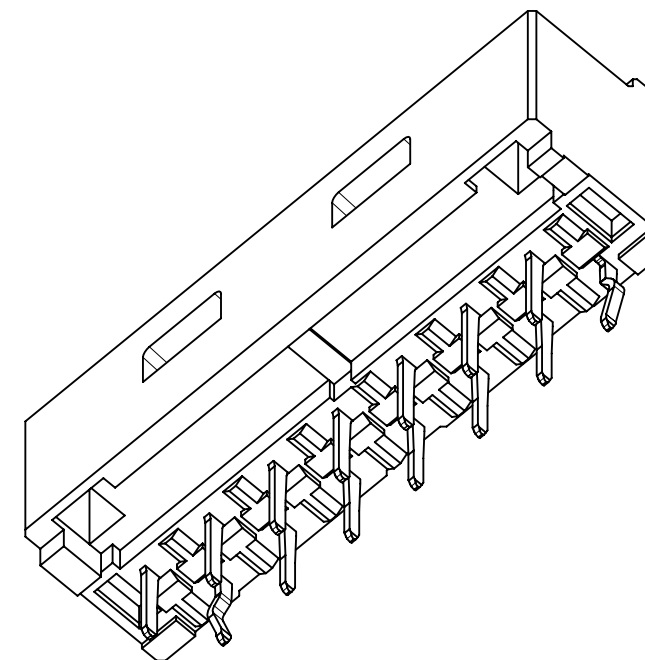


THIS DRAWING CONTAINS INFORMATION THAT IS PROPRIETARY TO MOLEX ELECTRONIC TECHNOLOGIES, LLC AND SHOULD NOT BE USED WITHOUT WRITTEN PERMISSION									
DIMENSION UNITS mm		SCALE NTS		CURRENT REV DESC:					
GENERAL TOLERANCES (UNLESS SPECIFIED)		ANGULAR TOL ± 3.0°		EC NO: 632623					
4 PLACES ± 0.2		3 PLACES ± 0.2		DRWN: MIKEDA01 2019/06/18				CLIK-MATE 1.5 SINGLE ROW DIP VT TYPE	
2 PLACES ± 0.2		1 PLACE ± 0.2		CHK'D: SAKIYAMA 2020/02/28					
0 PLACES ± 0.2		DRAFT WHERE APPLICABLE MUST REMAIN WITHIN DIMENSIONS		THIRD ANGLE PROJECTION		DRAWING A3-SIZE		SERIES 503159	
PRODUCT CUSTOMER DRAWING				INITIAL REVISION:		DOCUMENT NUMBER		DOC TYPE	
DRWN: MIKEDA01 2019/06/18				APPR: KOMURAKAMI 2020/03/03		5031590000-SD		PSD 000 A	
MATERIAL NUMBER SEE TABLE				CUSTOMER GENERAL		SHEET NUMBER 4 OF 5			

製品一覧
PRODUCTS LIST

ボス無 WITHOUT BOSS										BOSS
紫 VIOLET	橙 ORANGE	茶 BROWN	緑 GREEN	桃 PINK	青 BLUE	黄 YELLOW	赤 RED	黒 BLACK	ナチュラル(ベージュ) NATURAL(BEIGE)	HOUSING COLOR
503159 1519	503159 1518	503159 1517	503159 1516	503159 1515	503159 1514	503159 1513	503159 1512	503159 1511	503159 1510	15
503159 1419	503159 1418	503159 1417	503159 1416	503159 1415	503159 1414	503159 1413	503159 1412	503159 1411	503159 1410	14
503159 1319	503159 1318	503159 1317	503159 1316	503159 1315	503159 1314	503159 1313	503159 1312	503159 1311	503159 1310	13
503159 1219	503159 1218	503159 1217	503159 1216	503159 1215	503159 1214	503159 1213	503159 1212	503159 1211	503159 1210	12
503159 1119	503159 1118	503159 1117	503159 1116	503159 1115	503159 1114	503159 1113	503159 1112	503159 1111	503159 1110	11
503159 1019	503159 1018	503159 1017	503159 1016	503159 1015	503159 1014	503159 1013	503159 1012	503159 1011	503159 1010	10
503159 0919	503159 0918	503159 0917	503159 0916	503159 0915	503159 0914	503159 0913	503159 0912	503159 0911	503159 0910	9
503159 0819	503159 0818	503159 0817	503159 0816	503159 0815	503159 0814	503159 0813	503159 0812	503159 0811	503159 0810	8
503159 0719	503159 0718	503159 0717	503159 0716	503159 0715	503159 0714	503159 0713	503159 0712	503159 0711	503159 0710	7
503159 0619	503159 0618	503159 0617	503159 0616	503159 0615	503159 0614	503159 0613	503159 0612	503159 0611	503159 0610	6
503159 0519	503159 0518	503159 0517	503159 0516	503159 0515	503159 0514	503159 0513	503159 0512	503159 0511	503159 0510	5
503159 0419	503159 0418	503159 0417	503159 0416	503159 0415	503159 0414	503159 0413	503159 0412	503159 0411	503159 0410	4
503159 0319	503159 0318	503159 0317	503159 0316	503159 0315	503159 0314	503159 0313	503159 0312	503159 0311	503159 0310	3
503159 0219	503159 0218	503159 0217	503159 0216	503159 0215	503159 0214	503159 0213	503159 0212	503159 0211	503159 0210	2
オーダー番号 ORDER NO										極数 CIRCUIT NO

ボス無 WITHOUT BOSS				BOSS
黄緑 YELLOWISH GREEN	水 PALE BLUE	蛍光黄 FLUORESCENCE YELLOW	灰 GRAY	HOUSING COLOR
-	-	-	-	15
-	-	-	-	14
-	-	-	-	13
-	-	-	-	12
-	-	-	-	11
-	-	-	-	10
-	-	-	-	9
-	-	-	-	8
-	-	-	-	7
-	-	-	-	6
503159 0536	503159 0534	-	503159 0531	5
503159 0436	503159 0434	-	503159 0431	4
503159 0336	503159 0334	-	503159 0331	3
503159 0236	503159 0234	503159 0233	503159 0231	2
オーダー番号 ORDER NO				極数 CIRCUIT NO



THIS DRAWING CONTAINS INFORMATION THAT IS PROPRIETARY TO MOLEX ELECTRONIC TECHNOLOGIES, LLC AND SHOULD NOT BE USED WITHOUT WRITTEN PERMISSION									
DIMENSION UNITS mm		SCALE NTS		CURRENT REV DESC:					
GENERAL TOLERANCES (UNLESS SPECIFIED)		ANGULAR TOL ± 3.0°		EC NO: 632623					
4 PLACES ± 0.2		3 PLACES ± 0.2		DRWN: MIKEDA01 2019/06/18				CLIK-MATE 1.5 SINGLE ROW DIP VT TYPE	
2 PLACES ± 0.2		1 PLACE ± 0.2		CHK'D: SAKIYAMA 2020/02/28					
0 PLACES ± 0.2		DRAFT WHERE APPLICABLE MUST REMAIN WITHIN DIMENSIONS		THIRD ANGLE PROJECTION		DRAWING A3-SIZE		SERIES 503159	
PRODUCT CUSTOMER DRAWING				INITIAL REVISION:		DOCUMENT NUMBER		DOC TYPE	
DRWN: MIKEDA01 2019/06/18				APPR: KOMURAKAMI 2020/03/03		5031590000-SD		PSD 000 A	
MATERIAL NUMBER SEE TABLE				CUSTOMER GENERAL		SHEET NUMBER 5 OF 5			