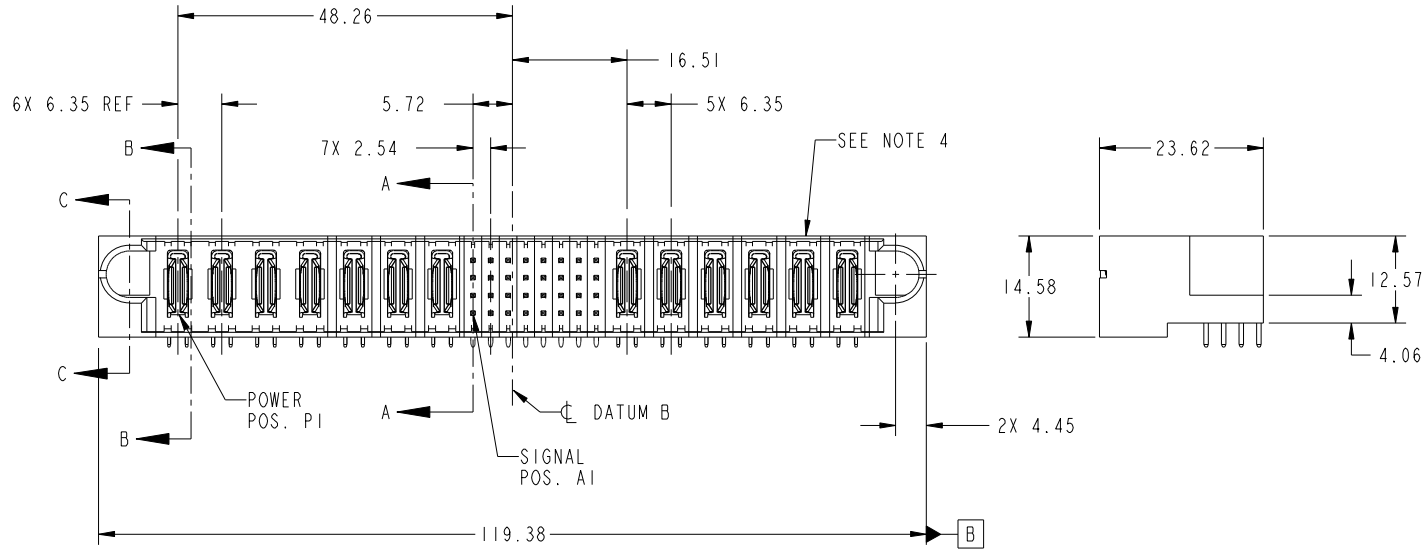
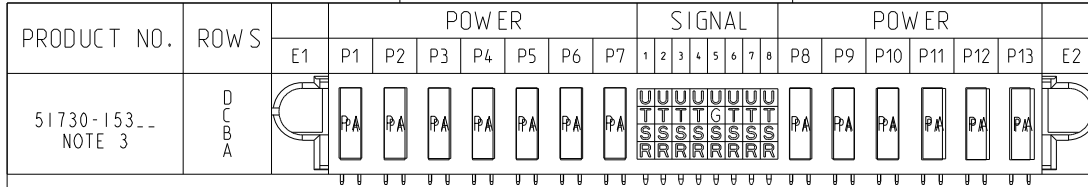


Tous droits strictement reserves. Reproduction ou communication a des tiers interdite sous quelque forme que ce soit sans autorisation écrite du propriétaire. Propriete de c FCI. Droits de reproduction FCI.

All rights strictly reserved. Reproduction or issue to third parties in any form whatever is not permitted without written authority from the proprietor. Property of FCI. Copyright FCI.



CODE	DIM "M" MATING LENGTH	CONTACT TYPE
PA	[N/A]	POWER
R	[6.86]	SIGNAL
S	[6.86]	SIGNAL
T	[6.86]	SIGNAL
U	[6.86]	SIGNAL
G	[5.59]	SIGNAL

mat'l code				SEE NOTE		tolerances unless otherwise specified		CUSTOMER		 www.fciconnect.com	
ltr	ecn no.	dr	date	linear	0.X ± 0.5	projection		COPY		title	
A	DG08-0287	SH	10/16/08	angles	0.XX ± 0.25					7P + 32S + 6P RIGHT ANGLE SOLDER HEADER	
					0.XXX ± 0.1					product family PwrBlade code 213	
				dr	0° ± 2°	scale		size		dwg no	
				enr	Sincere He 10/06/08	1:1		A		51730-153	
				chr	Sincere He 10/06/08					sheet 1 of 4	
				appd	Gary Hsieh 10/06/08						
					Joseph Hsia 10/06/08						
sheet index	revision sheet	A	A	A	A					cage code 22526	
		1	2	3	4						

Pro/E

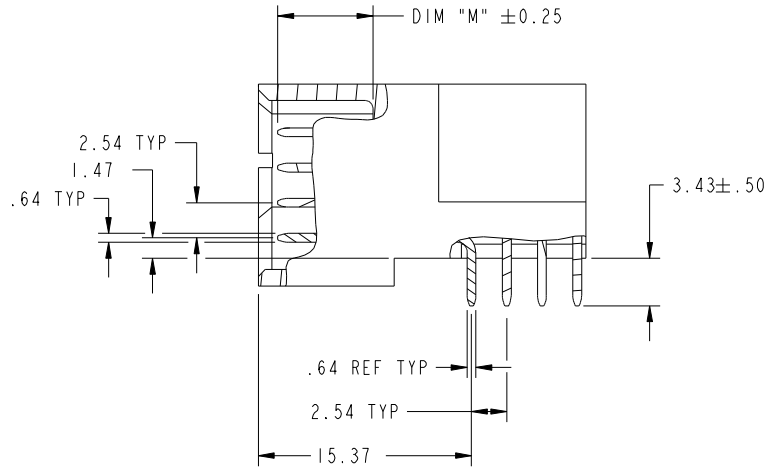
cage code 22526

Tous droits strictement reserves. Reproduction ou communication a des tiers interdite sous quelque forme que ce soit sans autorisation écrite du propriétaire. Propriete de c FCI. Droits de reproduction FCI.

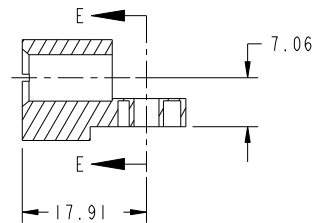


All rights strictly reserved. Reproduction or issue to third parties in any form whatever is not permitted without written authority from the proprietor. Property of FCI. Copyright FCI.

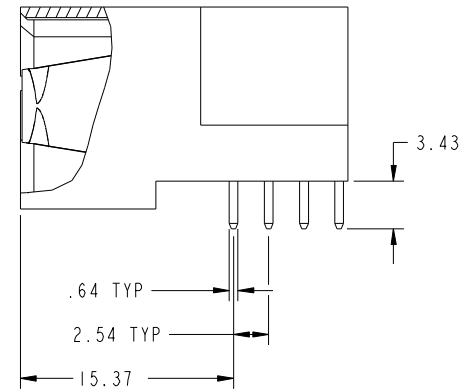
PRODUCT NUMBER
51730-153-
NOTE: 3



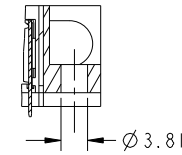
BROKEN-OUT SECTION A-A
SCALE 2:1



SECTION C-C



BROKEN-OUT SECTION B-B
SCALE 2:1



PARTIAL SECTION E-E

mat'l code				SEE NOTE	tolerances unless otherwise specified		CUSTOMER		FCI	
ltr	ecn no.	dr	date	linear	0.X ±0.5	COPY		www.fciconnect.com		
A				angles	0.XX ±0.25	projection		title		
				dr	0.XXX ±0.1	MIM		7P + 32S + 6P		
				enr	0° ±2°	scale		RIGHT ANGLE SOLDER HEADER		
				chr	Sincere He 10/06/08	1:1		product family		code
				appd	Sincere He 10/06/08			PwrBlade		213
sheet index		revision sheet			Gary Hsieh 10/06/08			size		sheet
					Joseph Hsia 10/06/08			dwg no		2 of 4
								51730-153		

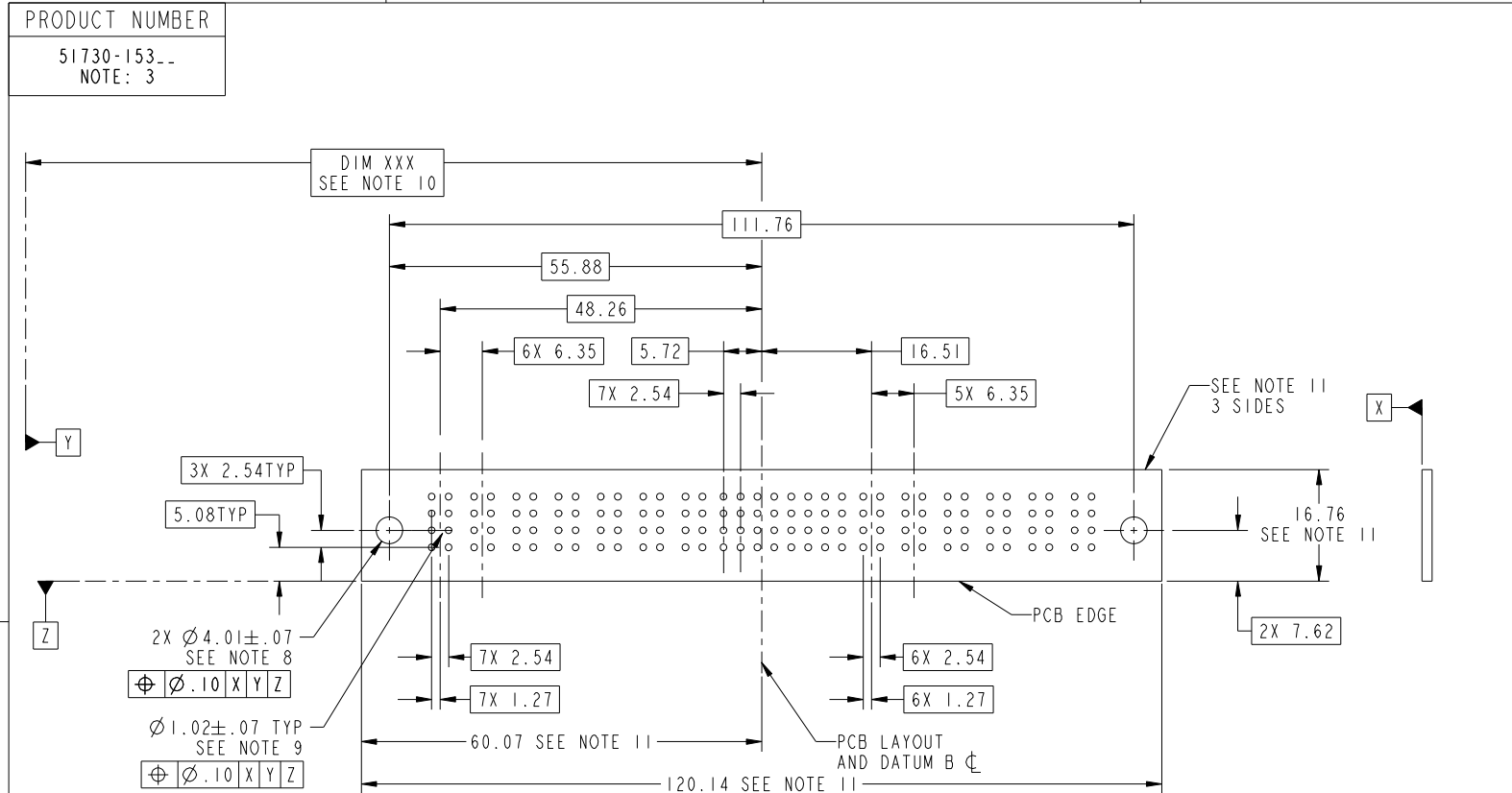
cage code 22526

Pro/E

Tous droits strictement reserves. Reproduction ou communication a des tiers interdite sous quelque forme que ce soit sans autorisation écrite du propriétaire. Propriete de c FCI. Droits de reproduction FCI.



All rights strictly reserved. Reproduction or issue to third parties in any form whatever is not permitted without written authority from the proprietor. Property of FCI. Copyright FCI.



RECOMMENDED PCB LAYOUT

mat'l code				SEE NOTE		tolerances unless otherwise specified		CUSTOMER		 www.fciconnect.com	
ltr	ecn no.	dr	date	linear	0.X ± 0.5		COPY		title		
A					0.XX ± 0.25		projection		7P + 32S + 6P		
					0.XXX ± 0.1				RIGHT ANGLE SOLDER HEADER		
				angles	0° ± 2°				product family		code
					dr Sincere He 10/06/08				PwrBlade		213
					enr Sincere He 10/06/08		scale		size		sheet
					chr Gary Hsieh 10/06/08		1:1		dwg no		3 of 4
					appd Joseph Hsia 10/06/08				51730-153		
sheet index	revision sheet										

cage code 22526

Pro/E

Tous droits strictement reserves. Reproduction ou communication a des tiers interdite sous quelque forme que ce soit sans autorisation écrite du propriétaire. Propriete de c FCI. Droits de reproduction FCI.



All rights strictly reserved. Reproduction or issue to third parties in any form whatever is not permitted without written authority from the proprietor. Property of FCI. Copyright FCI.

PRODUCT NUMBER
51730-153--
NOTE: 3

NOTES:

1. DIMENSIONS AND TOLERANCES ARE IN ACCORDANCE WITH ASME Y14.5M, 1994 UNLESS OTHERWISE SPECIFIED.

CONNECTOR NOTES:

- 2. HOUSING MATERIAL: UL 94 V-0 GLASS FILLED
HIGH-TEMP THERMOPLASTIC
POWER CONTACT MATERIAL: COPPER ALLOY
SIGNAL PIN MATERIAL: COPPER ALLOY
- 3. SEE ITEM 1 & 2 IN PRINT 10064183 FOR PLATING SPEC OF 51730-153 AND 51730-153LF RESPECTIVELY
- 4. MANUFACTURER'S NAME, P/N, AND DATE CODE TO APPEAR ON THIS SURFACE.
- 5. PRODUCT SPECIFICATION GS-12-149.
APPLICATION SPECIFICATION BUS-20-067.
- 6. PACKAGED IN TRAYS.

PCB NOTES:

- 7. ALL HOLE DIAMETERS ARE FINISHED HOLE SIZE.
- 8. MOUNTING HOLES, WHERE APPLICABLE, ARE UNPLATED.
- 9. $\varnothing 1.151 \pm 0.025$ DRILLED HOLES PLATED WITH 0.008 MIN SnPb OR Sn OVER 0.03 TO 0.08 Cu PLATING TO ACHIEVE $\varnothing 1.02 \pm .07$ HOLE.
- 10. "DIM XXX" TO BE DETERMINED BY THE CUSTOMER.
- 11. CONNECTOR KEEP-OUT ZONE.

mat'l code		SEE NOTE		tolerances unless otherwise specified		CUSTOMER		FCI		www.fciconnect.com	
ltr	ecn no.	dr	date	linear	0.X ± 0.5	COPY				title	
A					0.XX ± 0.25	projection				7P + 32S + 6P	
				angles	0.XXX ± 0.1					RIGHT ANGLE SOLDER HEADER	
				dr	0° ± 2°	MIM		product family		PwrBlade	code
				enr	Sincere He 10/06/08	scale		size		dwg no	213
				chr	Sincere He 10/06/08	1:1		A		51730-153	sheet
				appd	Gary Hsieh 10/06/08					4 of 4	
					Joseph Hsia 10/06/08						
sheet index	revision sheet										

cage code 22526

Pro/E