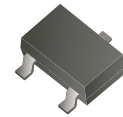


## AMMBT2907A-HF (PNP)

RoHS Device

Halogen Free

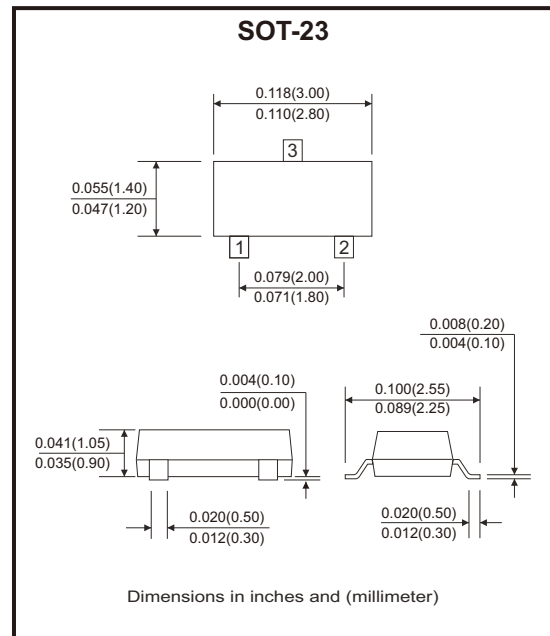


### Features

- Epoxy meets UL-94 V-0 flammability rating.
- Moisture sensitivity Level 1.
- High conductance.
- AEC-Q101 Qualified

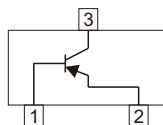
### Mechanical data

- Case: SOT-23, molded plastic.
- Terminals: Tin plated leads, solderable per J-STD-002 and JESD22-B102.



### Circuit diagram

1. Base
2. Emitter
3. Collector



### Maximum Ratings (at Ta=25°C unless otherwise noted)

Parameter	Symbol	Value	Unit
Collector-base voltage	$V_{CBO}$	-60	V
Collector-emitter voltage	$V_{CEO}$	-60	V
Emitter-base voltage	$V_{EBO}$	-5	V
Collector current-continuous	$I_C$	-600	mA
Total device dissipation	$P_D$	300	mW
Junction temperature	$T_J$	150	°C
Storage temperature range	$T_{STG}$	-55 to +150	°C

## Electrical Characteristics (at Ta=25°C unless otherwise noted)

Parameter	Conditions	Symbol	Min	Max	Unit
Collector-emitter breakdown voltage	$I_C = -10\text{mA}$ , $I_B = 0$	$V_{(BR)CEO}$	-60		V
Collector-base breakdown voltage	$I_C = -10\mu\text{A}$ , $I_E = 0$	$V_{(BR)CBO}$	-60		V
Emitter-base breakdown voltage	$I_E = -10\mu\text{A}$ , $I_C = 0$	$V_{(BR)EBO}$	-5		V
Collector cut-off current	$V_{CE} = -30\text{V}$ , $V_{EB} = -0.5\text{V}$	$I_{CEX}$		-50	nA
Collector cut-off current	$V_{CB} = -50\text{V}$ , $I_E = 0$	$I_{CBO}$		-20	nA
DC current gain	$V_{CE} = -10\text{V}$ , $I_C = -0.1\text{mA}$	$h_{FE(1)}$	75		
	$V_{CE} = -10\text{V}$ , $I_C = -1\text{mA}$	$h_{FE(2)}$	100		
	$V_{CE} = -10\text{V}$ , $I_C = -10\text{mA}$	$h_{FE(3)}$	100		
	$V_{CE} = -10\text{V}$ , $I_C = -150\text{mA}$	$h_{FE(4)}$	100	300	
	$V_{CE} = -10\text{V}$ , $I_C = -500\text{mA}$	$h_{FE(5)}$	50		
Collector-emitter saturation voltage	$I_C = -150\text{mA}$ , $I_B = -15\text{mA}$ $I_C = -500\text{mA}$ , $I_B = -50\text{mA}$	$V_{CE(sat)}$		-0.4 -1.6	V
Base-emitter saturation voltage	$I_C = -150\text{mA}$ , $I_B = -15\text{mA}$ $I_C = -500\text{mA}$ , $I_B = -50\text{mA}$	$V_{BE(sat)}$		-1.3 -2.6	V
Transition frequency	$V_{CE} = -20\text{V}$ , $I_C = -50\text{mA}$ , $f = 100\text{MHz}$	$f_r$	200		MHz
Delay time	$V_{CC} = -30\text{V}$ ,	$t_d$		10	ns
Rise time	$I_C = -150\text{mA}$ , $I_{B1} = -15\text{mA}$	$t_r$		40	ns
Storage time	$V_{CC} = -6\text{V}$ ,	$t_s$		225	ns
Fall time	$I_C = -150\text{mA}$ , $I_{B1} = I_{B2} = -15\text{mA}$	$t_f$		60	ns

## Rating and Characteristic Curves (AMMBT2907A-HF)

Fig.1 - Collector Saturation Region

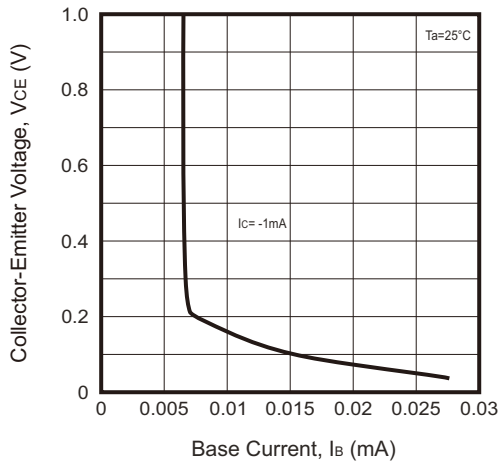


Fig.2 - Collector Saturation Region

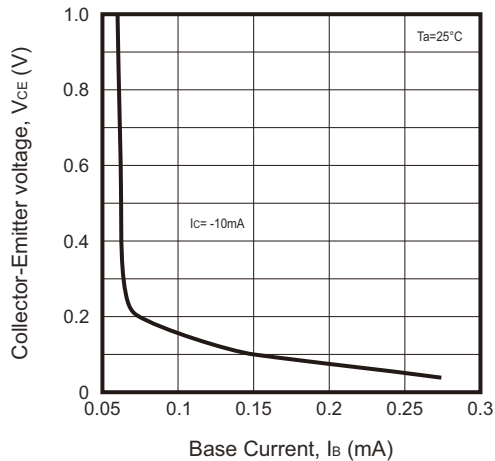


Fig.3 - Collector Saturation Region

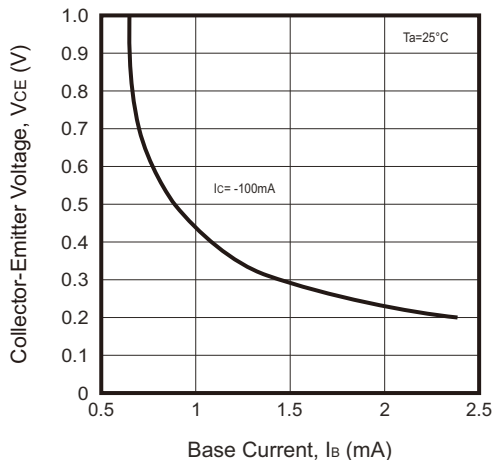


Fig.4 - DC Current Gain

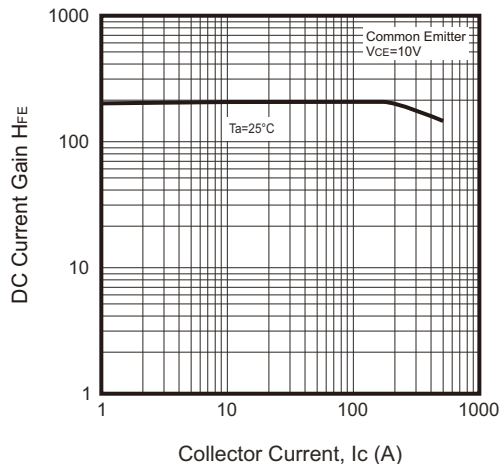


Fig.5 - Base-Emmitter Saturation Voltage vs. Collector Current

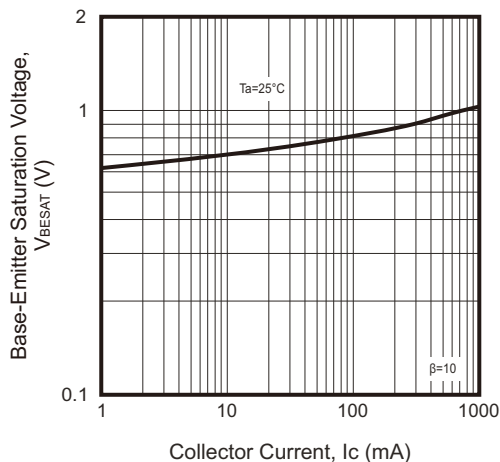
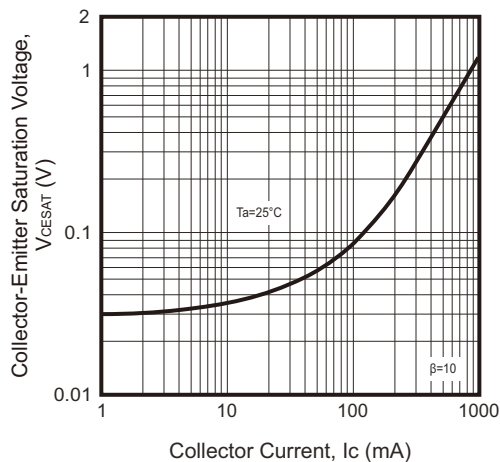


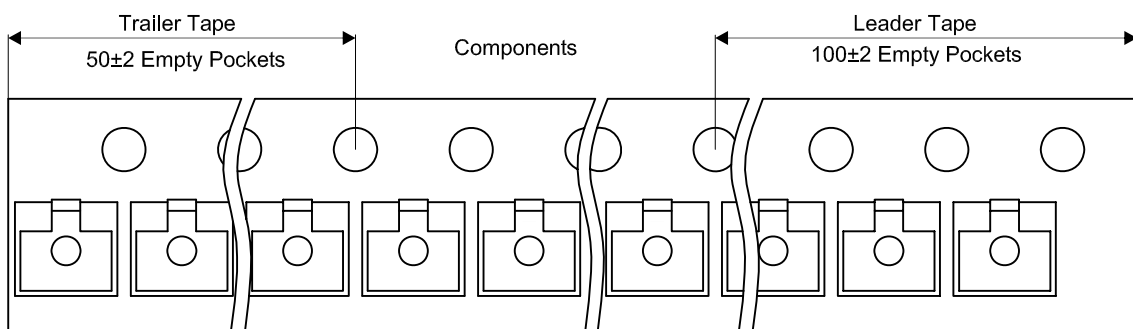
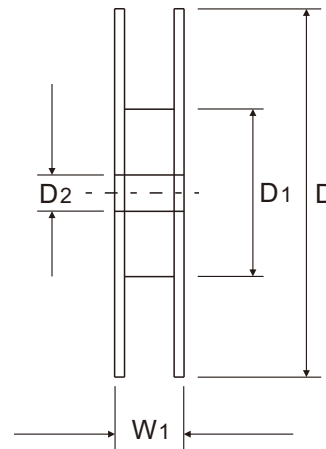
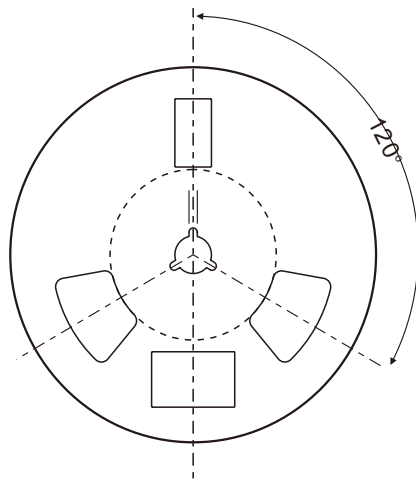
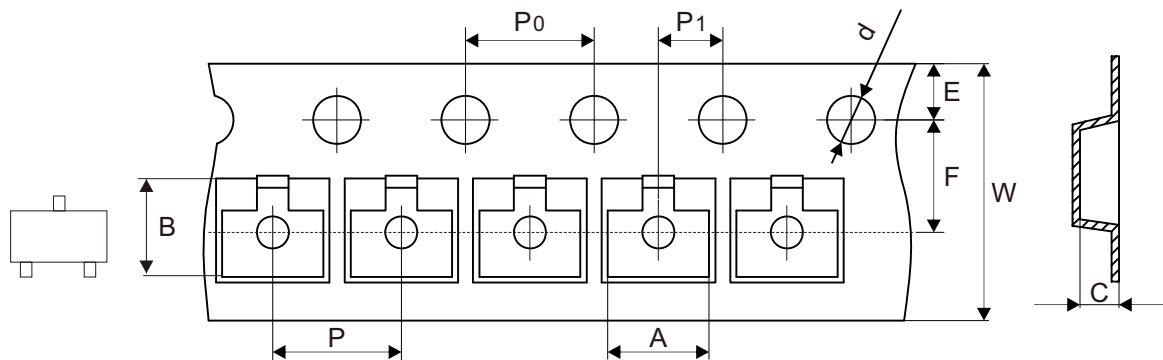
Fig.6 - Collector-Emmitter Saturation Voltage vs. Collector Current



Company reserves the right to improve product design, functions and reliability without notice.

REV:A

## Reel Taping Specification



SOT-23	SYMBOL	A	B	C	d	D	D1	D2
	(mm)	3.15 ± 0.10	2.77 ± 0.10	1.22 ± 0.10	1.50 + 0.10 - 0.00	178.00 ± 1.00	54.60 ± 1.00	13.30 ± 1.00
	(inch)	0.124 ± 0.004	0.109 ± 0.004	0.048 ± 0.004	0.059 + 0.004 - 0.000	7.008 ± 0.039	2.150 ± 0.039	0.524 ± 0.039

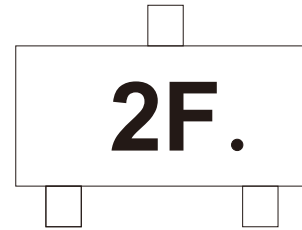
SOT-23	SYMBOL	E	F	P	P0	P1	W	W1
	(mm)	1.75 ± 0.10	3.50 ± 0.05	4.00 ± 0.10	4.00 ± 0.10	2.00 ± 0.05	8.00 + 0.30 - 0.10	11.10 ± 0.20
	(inch)	0.069 ± 0.004	0.138 ± 0.002	0.157 ± 0.004	0.157 ± 0.004	0.079 ± 0.002	0.315 + 0.012 - 0.004	0.437 ± 0.008

Company reserves the right to improve product design, functions and reliability without notice.

REV:A

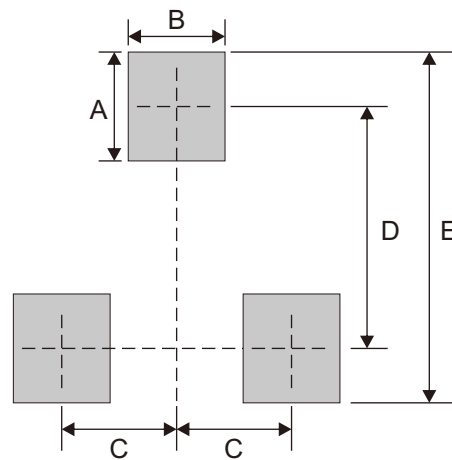
## Marking Code

Part Number	Marking Code
AMMBT2907A-HF	2F.



## Suggested PAD Layout

SIZE	SOT-23	
	(mm)	(inch)
A	0.90	0.035
B	0.80	0.031
C	0.95	0.037
D	2.00	0.079
E	2.90	0.114



Note: 1. The pad layout is for reference purposes only.

## Standard Packaging

Case Type	REEL PACK	
	REEL (pcs)	Reel Size (inch)
SOT-23	3,000	7