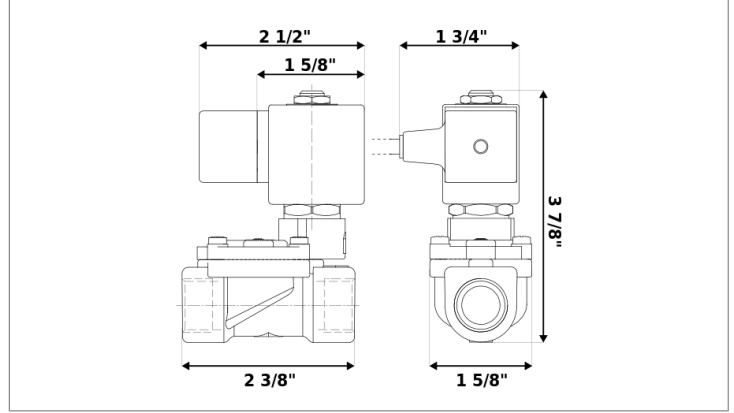


DKSV185




Normally closed, pilot operated, 2-way solenoid valve with brass body and 3/8" connections



| Valve | |
|----------------------|---------------------------------------|
| Pipe size: | 3/8" NPT |
| Operating pressure: | 3–230 psi |
| Flow coefficient: | 4.2 Cv |
| Media temperature: | 15–195 °F |
| Ambient temperature: | -5–140 °F |
| Suggested usage: | Air, inert gas, water |
| Operation: | 2-way, normally closed solenoid valve |
| Mechanism: | Pilot operated |
| Manual override: | No |
| Pipe gender: | Female |
| Orifice size: | 1/2" |
| Design pressure: | 360 psi |
| Media viscosity: | 12 cSt |

| Electrical | |
|----------------------|---------------------|
| Power: | 120 V ac |
| Connection: | 6 ft. power cord |
| Holding: | 15 VA |
| Inrush: | 25 VA |
| Voltage tolerances: | +10% -15% |
| Coil inner diameter: | 1/2" |
| Coil molding: | Polyethylene (PET) |
| Coil rating: | -5–355 °F (Class H) |
| Duty cycle: | Continuous, 100% ED |
| Enclosure: | NEMA 4, IP65 |

| Materials | |
|---------------|---------------------|
| Body: | Brass |
| Seal: | Buna-N rubber (NBR) |
| Orifice: | Brass |
| Core tube: | Stainless steel 300 |
| Fixed core: | Stainless steel 400 |
| Plunger: | Stainless steel 400 |
| Spring: | Stainless steel 300 |
| Shading ring: | Copper |

| Spare parts | | |
|---|--|--|
| CORE TUBE | REPAIR KIT | COIL/CONNECTOR |
| AT-A001 | RK-W001 | C-B12 |
|  |  |  |
| <ul style="list-style-type: none"> Core tube Plunger | <ul style="list-style-type: none"> Diaphragm O-ring Plunger | <ul style="list-style-type: none"> 120 V ac electrical coil 6 ft. power cord |