

Materials and Finish

Housing: High Temp Thermoplastic
 UL 94V-0 Rated, Black Color
 Shield: Stainless Steel, Nickel Plated
 Contact Material:
 Copper Alloy
 Contact plating:
 30 Option: 30u" Gold Plated on
 Contact Area, Tin Plated on Solder
 Tails, All over Nickel Underplate

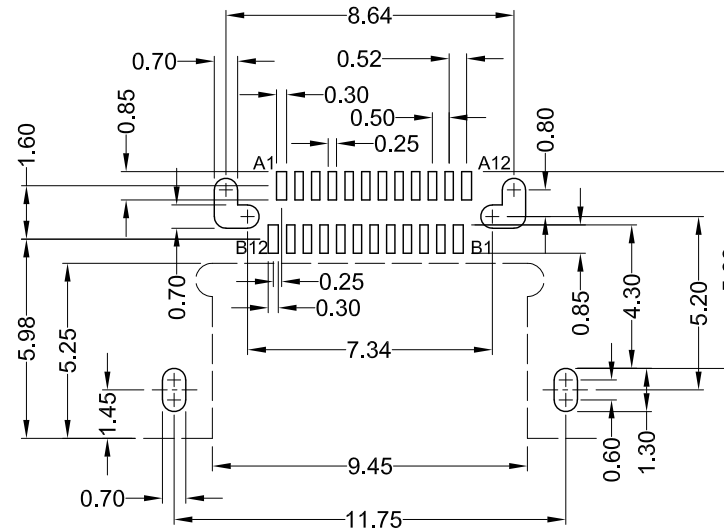
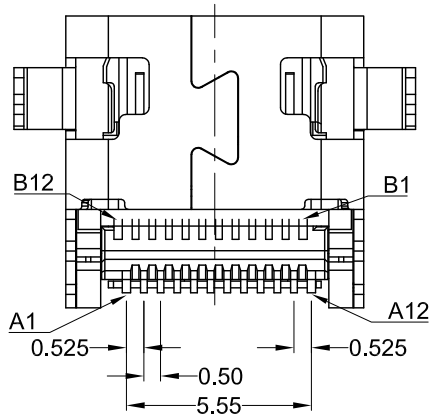
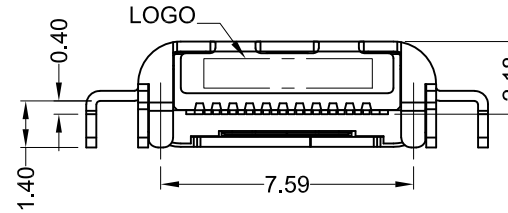
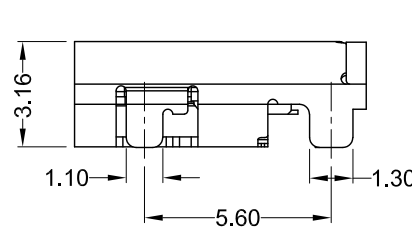
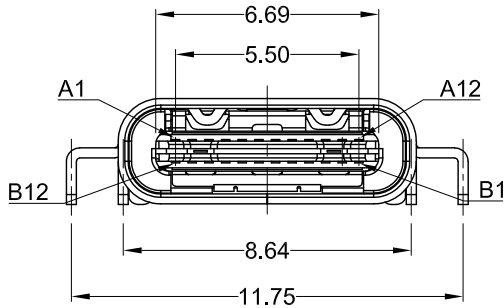
Electrical Characteristics

Rated Current:
 5.0A Collectively For Pins
 A4, A9, B4, and B9 (VBUS)
 1.25A For pin B5 (VCONN)
 6.25A Collectively For Pins
 A1, A12, B1, and B12 (GND)
 0.25A For All Other Pins

Rated Voltage: 30V
 Insulation Resistance:
 100 Megohms Min. at 250V DC
 Contact Resistance:
 40 milliohms Max.
 Dielectric Withstanding Voltage:
 100V AC RMS for 1 Minute

Mechanical Characteristics

Insertion Force: 5N - 20N
 Withdrawal Force: 6N - 20N
 Durability: 10000 Mating Cycles Min.
 Operating Temperature:
 -55°C to +105°C



PCB LAYOUT

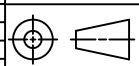
Tolerances
X.X ± 0.35
X.XX ± 0.25
Unless Stated Otherwise

RoHS COMPLIANT

REV.	DATE	DESCRIPTION	REV. BY	CHK. BY	DRAWN BY	DATE
A0	02/09/16	New Drawing	H. MA	W. Cook	H. MA	11/11/15
A1	05/16/16	Release Drawing	C. Kelleher	N/A		
A2	12/28/18	ECO #18-074	G. Serrato	D. Shehan		

KUSBX-MM-CS1-B30TR

USB TYPE C 3.1, Female,
SMT, Mid-Mount



UNITS
 mm