

OMX-10HMIP0001 1080P HDMI Over IP Transmitter OMX-11IPHM0001 1080P HDMI Over IP Receiver HDMI Over IP Extender with IR

INSTALLATION & SPECIFICATIONS



OMX-10HMIP0001 Transmitter

Transmitter Kit Includes:

- One 5VDC/1A Power Adapter
- One IR Transmitter Cable



OMX-11IPHM0001 Receiver

Receiver Kit Includes:

- One 5VDC/1A Power Adapter
- One IR Receiver Cable,



Ocean Matrix OMX-10HMIP0001& OMX-11IPHM0001 Installation

OMX-10HMIP0001 TRANSMITTER



- 1 Power Input
- 2 Reset (Insert pin and hold for 10 seconds. When the Status LED goes out, reset is complete.)
- 3 IR-TX Port
- 4 HDMI Input
- 5 LED Signal Status Indicator
- 6 LED Power Indicator
- 7 Ethernet Port

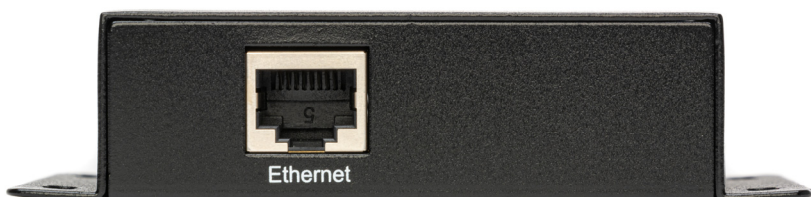


7

OMX-11IPHM0001 RECEIVER



- 1 Power Input
- 2 Reset (Insert pin and hold for 10 seconds. When the Status LED goes out, reset is complete.)
- 3 IR-RX Port
- 4 HDMI Output
- 5 LED Signal Status Indicator
- 6 LED Power Indicator
- 7 Ethernet Port



7

SPECIFICATIONS

Protocol	TCP/IP
Compliance	HDMI, HDCP
Transmission Distance	394 feet/120m over Cat5e/6
IR Frequency	38kHz-56kHz
Audio	2 Channel
Power Consumption Each Unit	3W

SPECIFICATIONS

Input Video Signal	0.5-1.0 Volts P-P
Input DDC Signal	0.5-1.0 Volts P-P
Video Format	DTV HDTV:480i/576i/480P/576P/ 720P/1080P
Enclosure	Black Powder-Coated Steel
Dimensions Each Unit (LxWxH)	4.08 x 3.68 x 1 inches
Weight Each Unit	7.76 oz

INPUT & VESA RESOLUTIONS	
50Hz	576i/576P/720P/1080P/1080i
60Hz/59.94Hz	480i/480p/720p/1080p
30Hz/29.97Hz	1080P
24Hz	1080P
25Hz	1080P

CONNECTION

1. Connect the HDMI source to the TX.
2. Connect CAT5e/6 cables to the TX and RX Ethernet ports.
3. Connect the HDMI display to the RX.
4. Plug in the power supply.
5. Connect the IR TX cable to the IR TX port and affix the emitter onto the IR window of the source.
6. Connect the IR RX cable to the IR RX port and place the RX in direct line-of-site of the remote control that you are using (not included).
7. For Point to Many Connection: Connect the HDMI TX port and RX ports to an Ethernet switch.
8. For Many to Many Connection: Connect the HDMI TX and RX ports to an Ethernet switch. Set up an IP address for the RXs—see 'Setting the IP Address Via Web Browser' below.

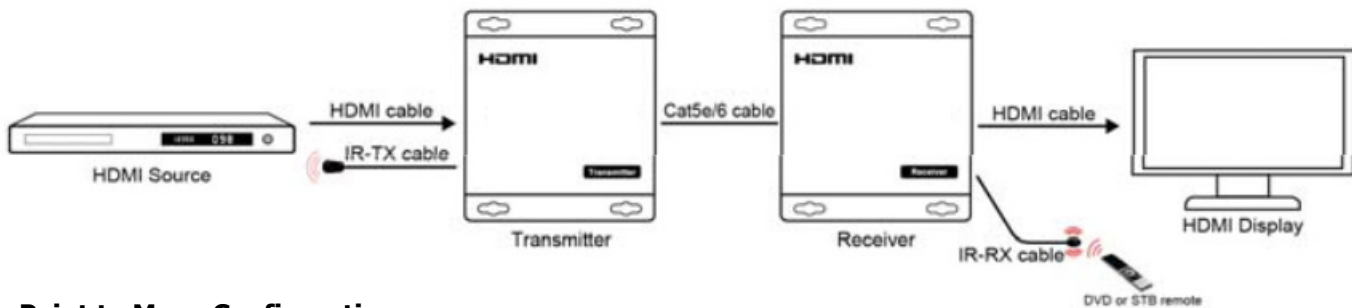
SETTING THE IP ADDRESS VIA WEB BROWSER

When connecting a point-to-point application there is no need to configure the transmitter nor the receiver.

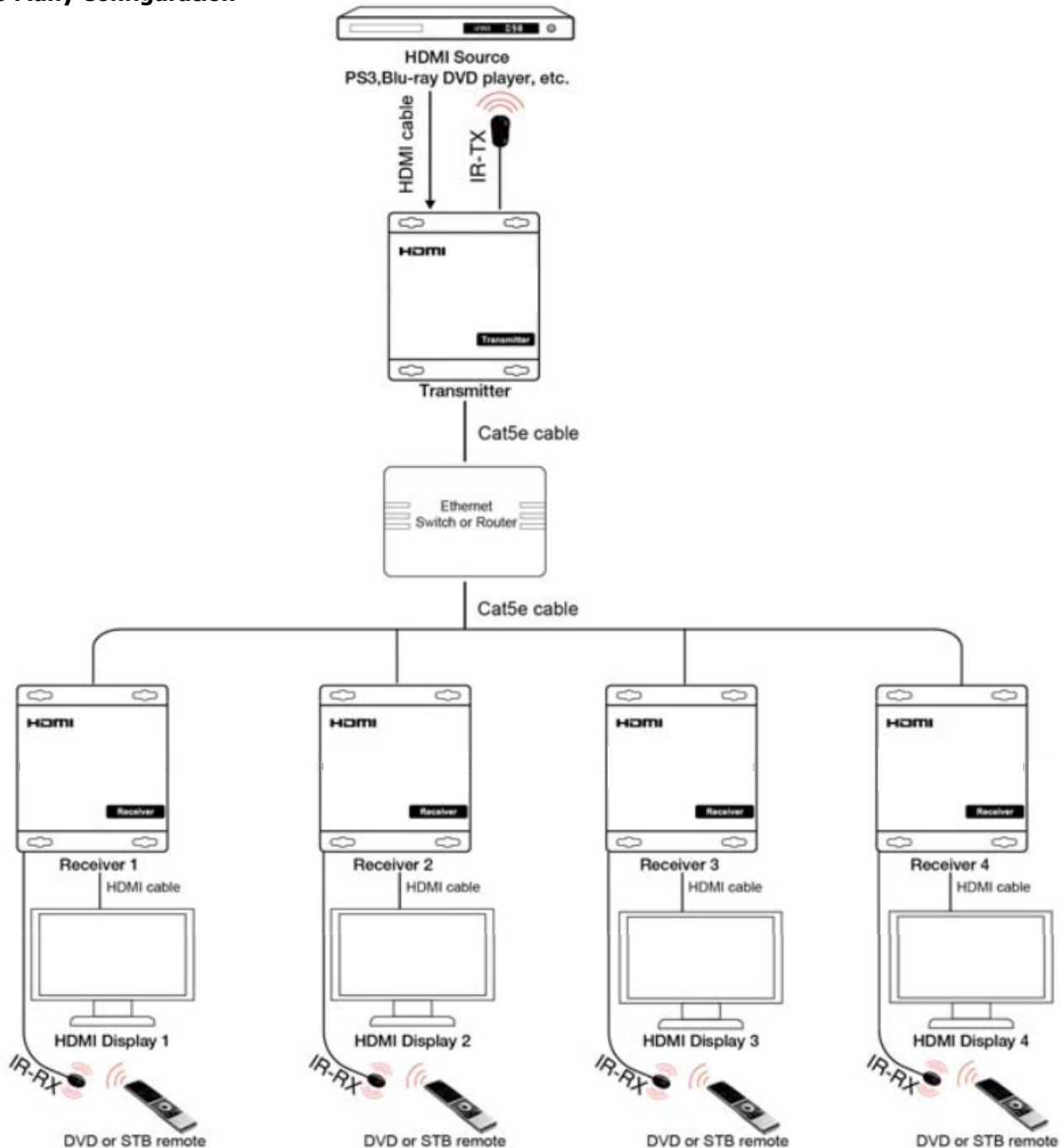
Defaults

- Transmitter: IP Address 192.168.168.55 / MAC Address 00:0b:78:00:60:01
 - Receiver: 192.168.168.56 / MAC Address 00:0b:78:00:60:02
1. To configure point-to-many, many-to-point, or many-to-many, ensure each transmitter and receiver has a unique IP and MAC address.
 2. Go to Control Panel/Network Connections/Local Area Connections/Status/Properties/Internet Protocol (TCP/IP).
 3. In the IP Address field, type 192.168.168.11 (0-255) and Subnet Mask 255.255.255.0
 4. Click OK.
 5. Connect the PC to the extender with an Ethernet cable. The Power LED will turn red and the Signal Status LED will be green.
 6. Ping the connected device: Start/Run/Input CMD: TX input 'ping 192.168.168.55' and RX input 'ping 192.168.168.56'.
 7. Login in IE:
 - 192.168.1.11 (TX default IP) or 192.168.1.12(RX default IP)
 - Set a unique IP address for each TX and each RX, IP: 192.168.1.XX (XX:1-255)
 - Set a unique MAC address for each TX and each RX, MAC: 00.0b.78:XX:XX-XX (XX:01-FF).
 8. Click, "Apply". The Status Signal Indicator will go out indicating successful IP address set up.

Point to Point Configuration



Point to Many Configuration



Many to Many Configuration



OCEAN MATRIX®

SAFETY PRECAUTIONS

- To prevent fire or shock hazard, do not expose this equipment to dust or high humidity. Do not use in an unprotected outdoor installation or in areas classified as overly damp or wet.
- The installation temperature should be kept between 32°F to 140°F (0°C to 60°C). Avoid direct sunlight exposure or extreme changes of temperature over a short period of time.
- Do not place the unit on an unstable base and avoid heavy impact.
- Proper ventilation is required for permanent installation. Do not block or cover enclosure openings as they protect the unit from overheating.
- Prior to cleaning, turn the power off and unplug the unit from all connections. Use a damp cloth. Do not use liquid or aerosol cleaners.
- Do not overload outlets and extension cords as this may result in a risk of fire or electric shock.
- Enclosure entry is dangerous. Never push objects of any kind, including liquids, through openings as they may touch dangerous voltage points or short-out parts that could result in a fire or electric shock.
- Do not open or service this unit yourself as opening or removing covers may expose you to dangerous voltage and other hazards.
- There are no user-serviceable parts inside the unit. If the unit requires service contact your authorized dealer, or authorized repair service company.

Federal Communications Commission (FCC) Compliance Notices

Class A Interference Statement

This equipment has been tested and found to comply with the limits for a Class A digital device, pursuant to part 15 of the FCC Rules. These limits are designed to provide reasonable protection against harmful interference when the equipment is operated in a commercial environment. This equipment generates, uses, and can radiate radio frequency energy and, if not installed and used in accordance with the instruction manual, may cause harmful interference to radio communications. Operation of this equipment in a residential area is likely to cause harmful interference in which case the user will be required to correct the interference at his own expense.

FCC Caution

This device complies with part 15 of the FCC Rules. Operation is subject to the following two conditions: (1) This device may not cause harmful interference, and (2) this device must accept any interference received, including interference that may cause undesired operation.