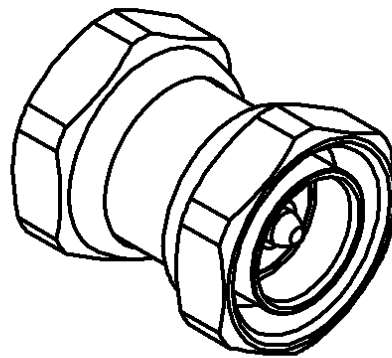
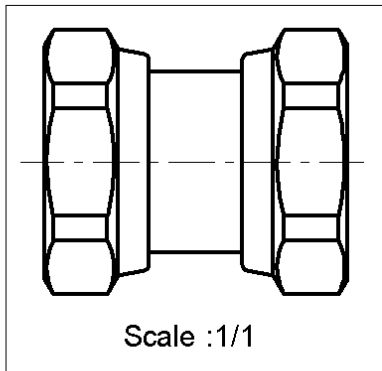
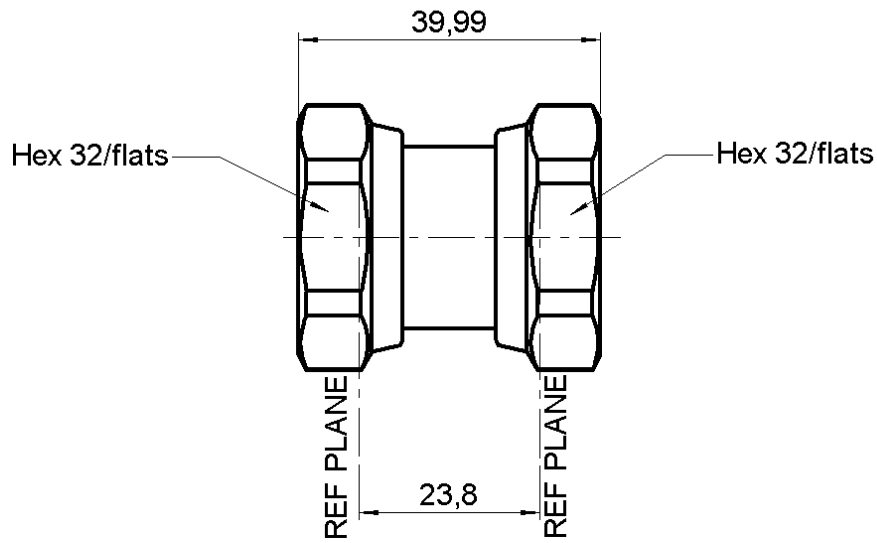


STRAIGHT ADAPTOR MALE MALE

R185.703.000

Series : 7-16



All dimensions are in mm.



COMPONENTS	MATERIALS	PLATINGS (µm)
BODY	BRASS	SILVER 5 PASSIVATED OVER COPPER 0.5
CENTER CONTACT	BRASS	SILVER 5 PASSIVATED OVER COPPER 0.5
OUTER CONTACT	BRASS	SILVER 5 PASSIVATED OVER COPPER 0.5
INSULATOR	PTFE	
GASKET	SILICONE RUBBER	
OTHERS PARTS	BRASS	BBR 2
-	-	-
-	-	-

Issue : 0150 E

In the effort to improve our products, we reserve the right to make changes judged to be necessary.



STRAIGHT ADAPTOR MALE MALE

R185.703.000

Series : 7-16

PACKAGING

SPECIFICATION

Standard	Unit	Other
20	'W' option	Contact us

ELECTRICAL CHARACTERISTICS

ENVIRONMENTAL

Impedance		50 Ω
Frequency		0-7.5 GHz
VSWR	1.15 +	0.000 x F(GHz) Maxi
Insertion loss		0.017 √F(GHz) dB Maxi
RF leakage	- (95 - F(GHz)) dB Maxi
Voltage rating		1400 Veff Maxi
Dielectric withstanding voltage		4000 Veff mini
Insulation resistance		10000 MΩ mini

Operating temperature	-55/+155 ° C
Hermetic seal	NA Atm.cm3/s
Panel leakage	NA

OTHERS CHARACTERISTICS

Assembly instruction **NA**

Others :
-

MECHANICAL CHARACTERISTICS

Center contact retention		
Axial force – Mating end	200	N mini
Axial force – Opposite end	200	N mini
Torque	NA	N.cm mini
Recommended torque		
Mating	3500	N.cm
Panel nut	NA	N.cm
Mating life	500	Cycles mini
Weight	69.488	g

Issue : 0150 E

In the effort to improve our products, we reserve the right to make changes judged to be necessary.

