

# User's Guide

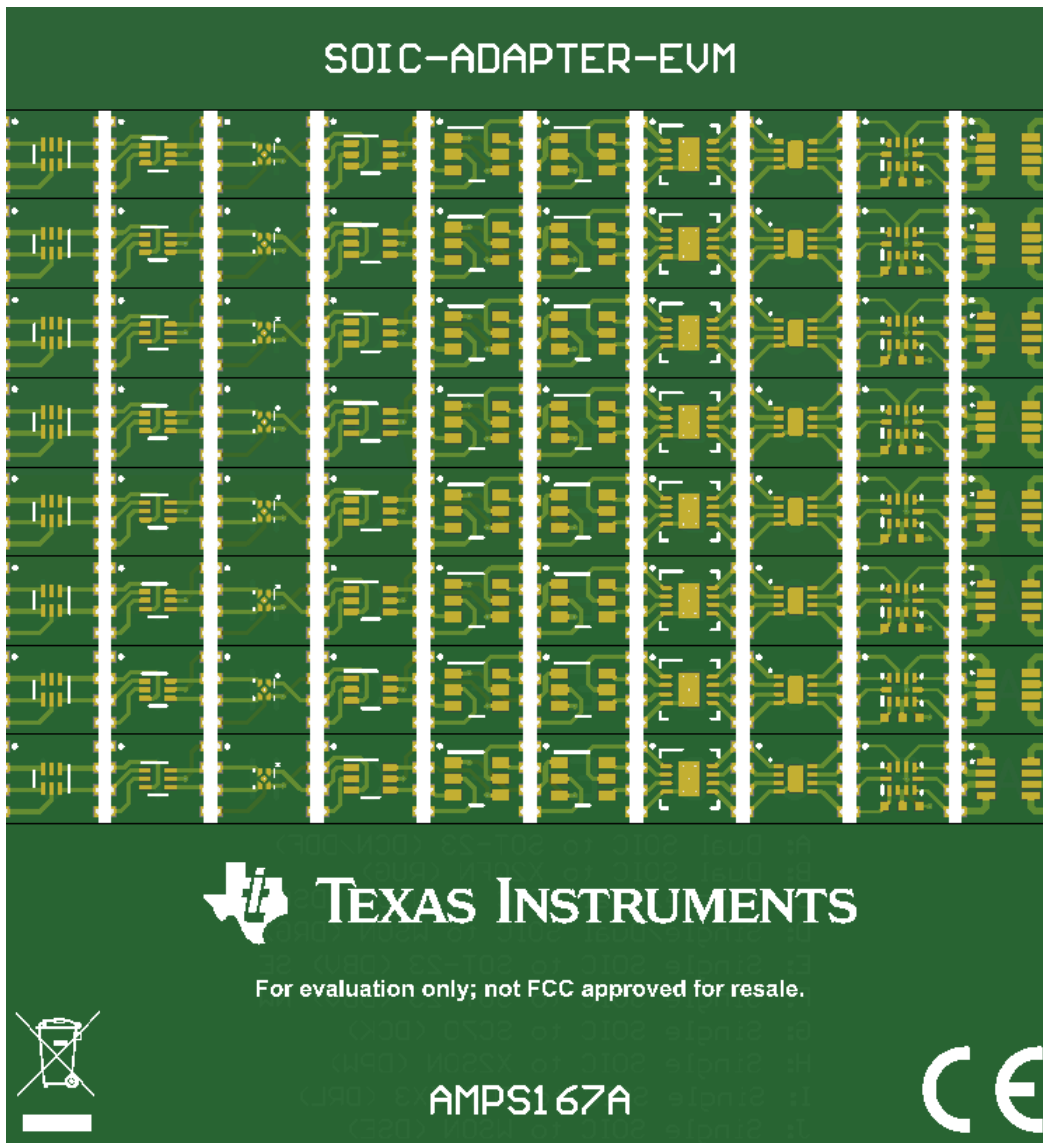
## SOIC-ADAPTER-EVM

---



### Abstract

This user's guide contains support documentation for the SOIC-ADAPTER evaluation module (EVM). Included in this document is a description of how to use the EVM, the printed circuit board (PCB) layout, and the bill of materials (BOM) for the SOIC-ADAPTER-EVM.



## Table of Contents

<b>Abstract</b> .....	1
<b>1 Introduction</b> .....	3
<b>2 How to Use</b> .....	3
<b>3 Adapter Options</b> .....	4
3.1 A: SOT-23 (DCN/DDF).....	5
3.2 B: X2QFN (RUG).....	5
3.3 C: WSON (DSG).....	6
3.4 D: WSON (DRG).....	7
3.5 E: SOT-23 (UDBV).....	8
3.6 F: SOT-23 (DBV).....	8
3.7 G: SC70 (DCK).....	9
3.8 H: X2SON (DPW).....	9
3.9 I: SOT-5X3 (DRL).....	10
3.10 J: WSON (DSE).....	10
<b>4 Layout</b> .....	11
<b>5 Bill of Materials</b> .....	13

## List of Figures

Figure 3-1. Dual SOIC to SOT-23 (DCN/DDF).....	5
Figure 3-2. Dual SOIC to X2QFN (RUG).....	5
Figure 3-3. Dual SOIC to WSON (DSG).....	6
Figure 3-4. Single SOIC to WSON (DSG).....	6
Figure 3-5. Dual SOIC to WSON (DRG).....	7
Figure 3-6. Single SOIC to WSON (DRG).....	7
Figure 3-7. Single SOIC to SOT-23 (UDBV).....	8
Figure 3-8. Single SOIC to SOT-23 (DBV).....	8
Figure 3-9. Single SOIC to SC70 (DCK).....	9
Figure 3-10. Single SOIC to X2SON (DPW).....	9
Figure 3-11. Single SOIC to SOT-5X3 (DRL).....	10
Figure 3-12. Single SOIC to WSON (DSE).....	10
Figure 4-1. PCB Top Layer.....	11
Figure 4-2. PCB Bottom Layer.....	12

## List of Tables

Table 3-1. Device Recommendations.....	4
Table 5-1. Bill of Materials.....	13

## Trademarks

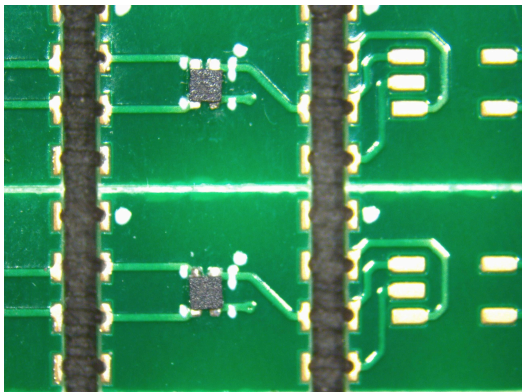
All trademarks are the property of their respective owners.

## 1 Introduction

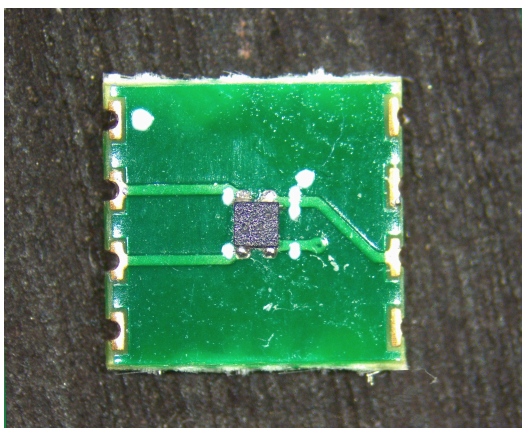
The SOIC-ADAPTER-EVM allows for evaluation of 10 different packages onto single and dual-channel SOIC 8-pin footprints of operational amplifiers on existing PCBs. This permits the user to test op amps in different packages without making changes to the existing PCB.

## 2 How to Use

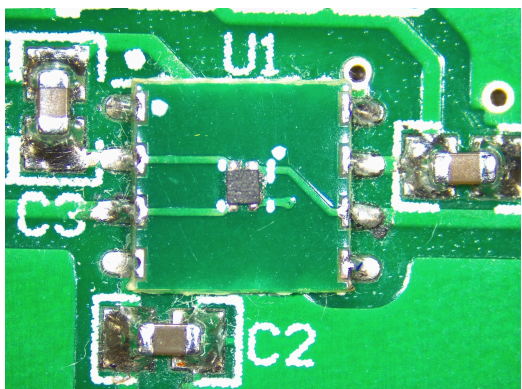
The SOIC-ADAPTER-EVM comes depopulated. Devices must be ordered separately. To find a specific device in a specific package, use the [Find Product by Package](#) search tool.



Solder the IC(s) to the adapter PCB. Parts may be hand soldered or attached with hot air reflow techniques.



Gently flex panel at score lines to separate adapter boards.



Position the adapter board carefully over the footprint and solder it on.

### 3 Adapter Options

The SOIC-ADAPTER-EVM allows for numerous packages to be adapted to a SOIC 8-pin footprint. Each adapter option has a corresponding letter on the back of the PCB to help better identify them. [Table 3-1](#) shows each corresponding board label, package designator, TI package designator, and pin count.

**Table 3-1. Device Recommendations**

Board Labeled on the Back	Package Designator	TI Package Designator	Pin Count
A	SOT-23	DCN/DDF	8
B	X2QFN	RUG	10
C	WSON	DSG	8
D	WSON	DRG	8
E	SOT-23	UDBV	5/6
F	SOT-23	DBV	5/6
G	SC70	DCK	5/6
H	X2SON	DPW	5
I	SOT-5X3	DRL	5/6
J	WSON	DSE	6

### 3.1 A: SOT-23 (DCN/DDF)

As shown in [Figure 3-1](#), a SOT-23 (DCN/DDF) device can be adapted to a dual-channel SOIC footprint.

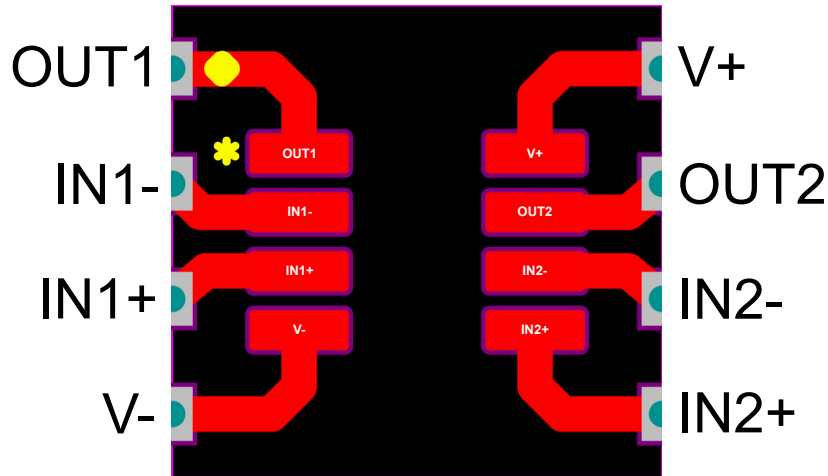


Figure 3-1. Dual SOIC to SOT-23 (DCN/DDF)

### 3.2 B: X2QFN (RUG)

As shown in [Figure 3-2](#), a X2QFN (RUG) device can be adapted to a dual-channel SOIC footprint.

The X2QFN adapter board has three additional pads for a 0402 resistor to allow the shutdown (SD) pins to be tied to either V+ or V-. These pads are provided since many op amps require an external pull-up or pull-down resistor to bring the op amp out of shutdown.

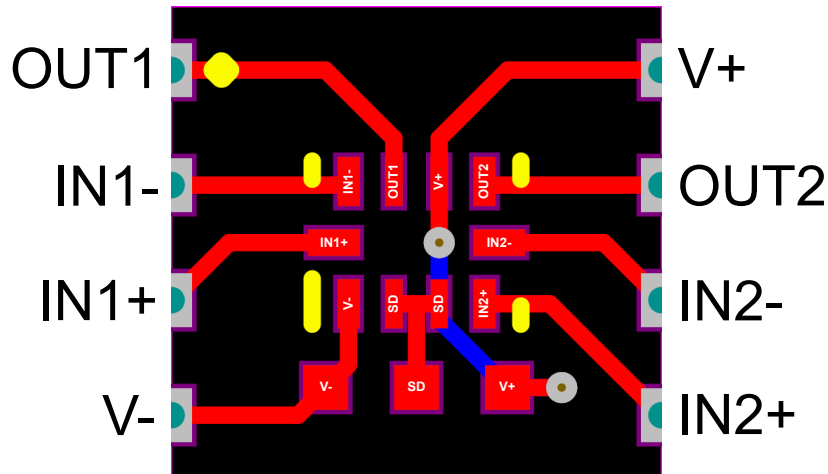


Figure 3-2. Dual SOIC to X2QFN (RUG)

### 3.3 C: WSON (DSG)

The WSON (DSG) board can be used to adapt a dual-channel WSON (DSG) device to dual-channel SOIC footprint and a single-channel WSON (DSG) device to single-channel SOIC footprint, as shown in [Figure 3-3](#) and [Figure 3-4](#) respectively. For single-channel WSON (DSG) devices, both the shutdown (SD) and non-shutdown variants are supported.

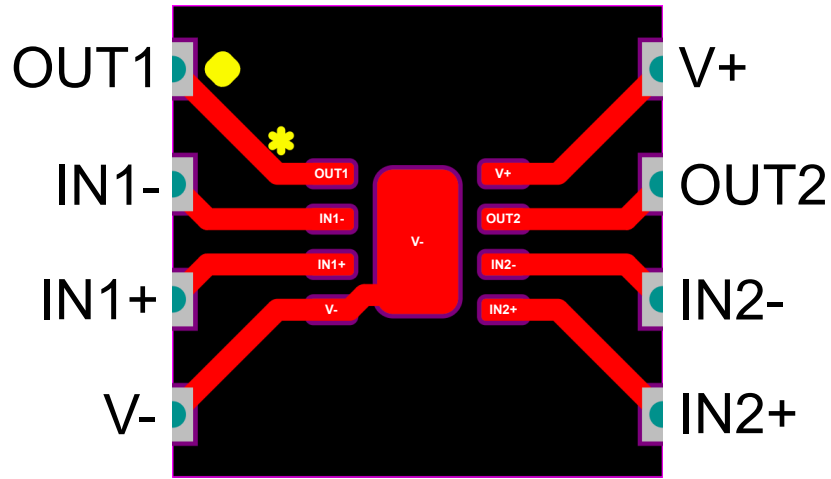


Figure 3-3. Dual SOIC to WSON (DSG)

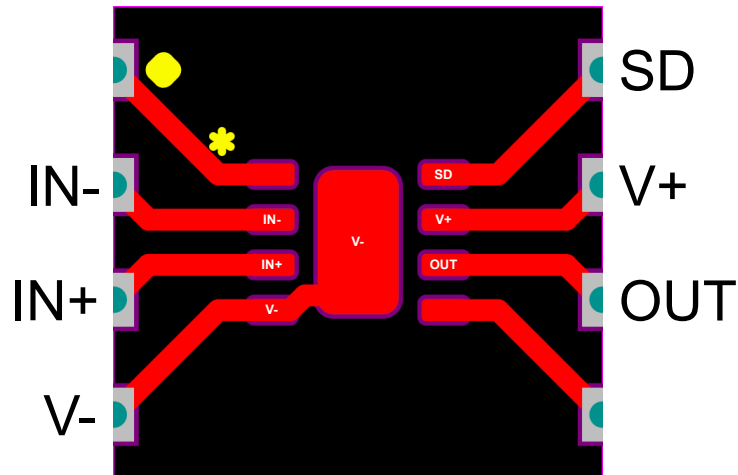


Figure 3-4. Single SOIC to WSON (DSG)

### 3.4 D: WSON (DRG)

The WSON (DRG) board can be used to adapt a dual-channel WSON (DRG) device to dual-channel SOIC footprint and a single-channel WSON (DRG) device to single-channel SOIC footprint, as shown in [Figure 3-5](#) and [Figure 3-6](#). For single-channel WSON (DRG) devices, both the shutdown (SD) and non-shutdown variants are supported.

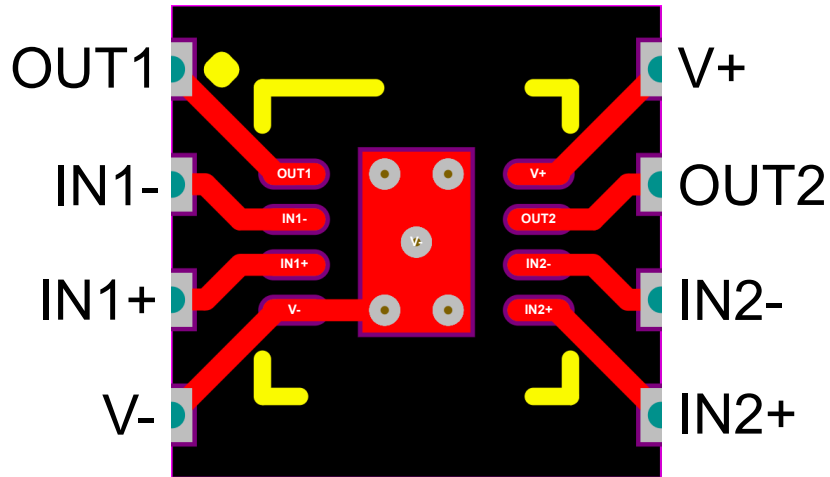


Figure 3-5. Dual SOIC to WSON (DRG)

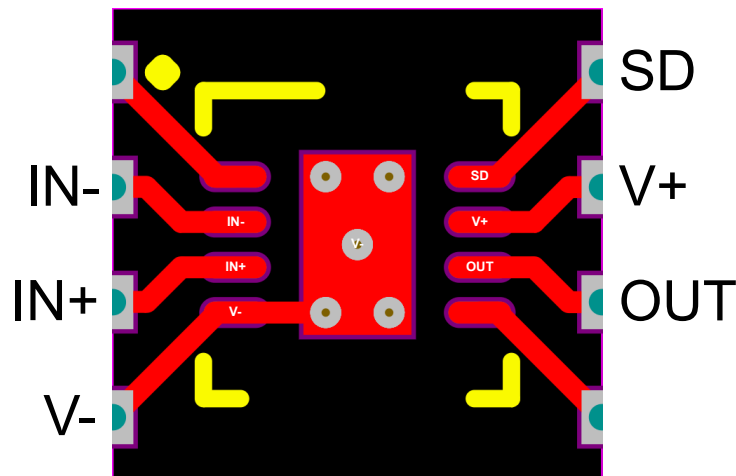


Figure 3-6. Single SOIC to WSON (DRG)

### 3.5 E: SOT-23 (UDBV)

As shown in [Figure 3-7](#), a SOT-23 (UDBV) device can be adapted to a single-channel SOIC footprint. The 5-pin non-shutdown variant of the SOT-23 package can use this adapter.

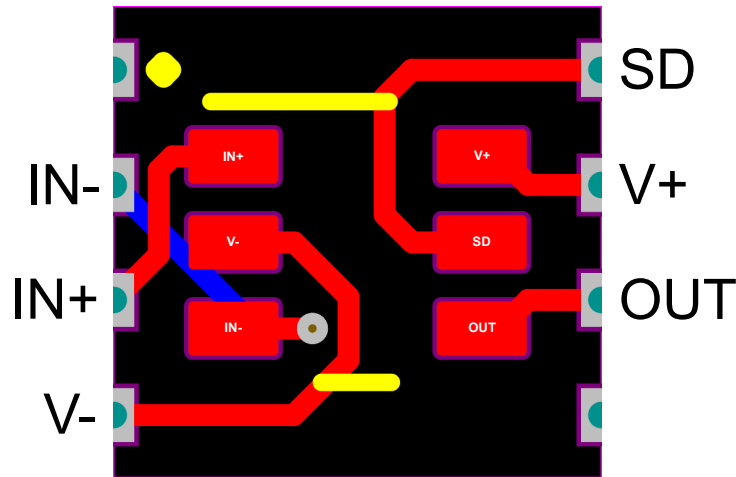


Figure 3-7. Single SOIC to SOT-23 (UDBV)

### 3.6 F: SOT-23 (DBV)

As shown in [Figure 3-8](#), a SOT-23 (DBV) device can be adapted to a single-channel SOIC footprint. The 5-pin non-shutdown variant of the SOT-23 package can use this adapter.

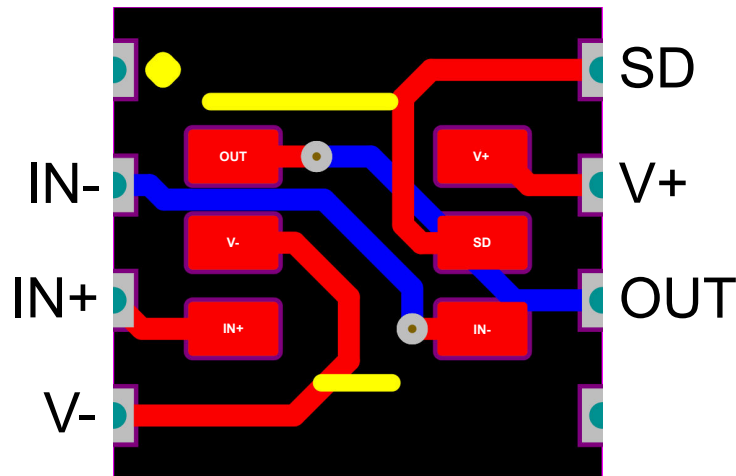


Figure 3-8. Single SOIC to SOT-23 (DBV)



### 3.7 G: SC70 (DCK)

As shown in [Figure 3-9](#), a SC70 (DCK) device can be adapted to a single-channel SOIC footprint. The 5-pin non-shutdown variant of the SC70 package can use this adapter.

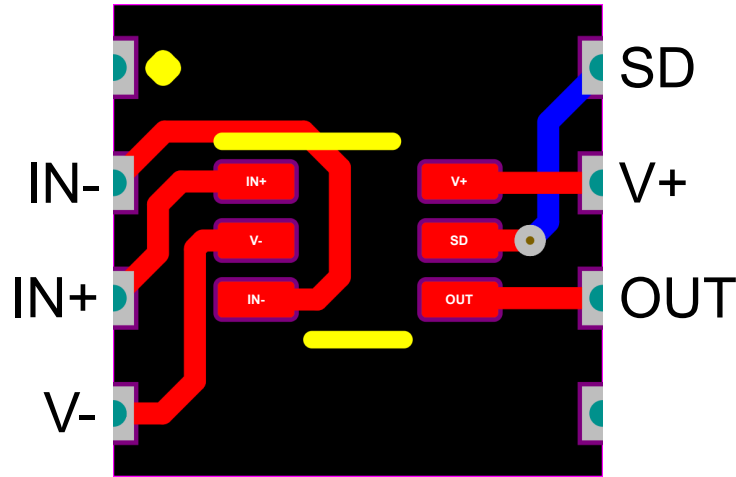


Figure 3-9. Single SOIC to SC70 (DCK)

### 3.8 H: X2SON (DPW)

As shown in [Figure 3-10](#), a X2SON (DPW) device can be adapted to a single-channel SOIC footprint.

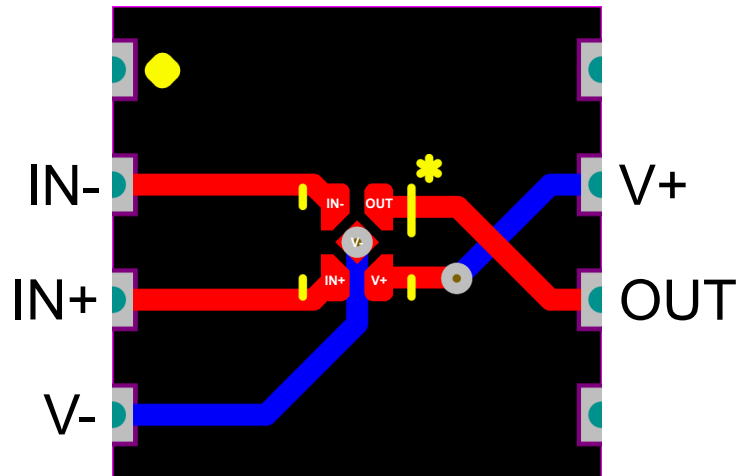


Figure 3-10. Single SOIC to X2SON (DPW)

### 3.9 I: SOT-5X3 (DRL)

As shown in [Figure 3-11](#), a SOT-5X3 (DRL) device can be adapted to a single-channel SOIC footprint. The 5-pin non-shutdown variant of the SOT-5X3 package can use this adapter.

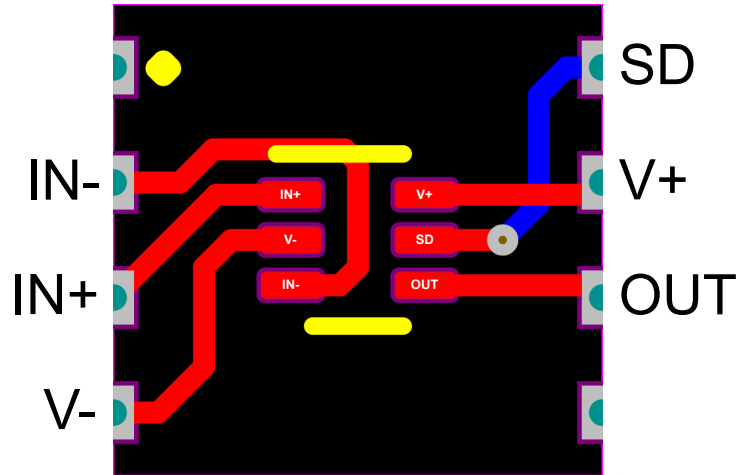


Figure 3-11. Single SOIC to SOT-5X3 (DRL)

### 3.10 J: WSON (DSE)

As shown in [Figure 3-12](#), a WSON (DSE) device can be adapted to a single-channel SOIC footprint.

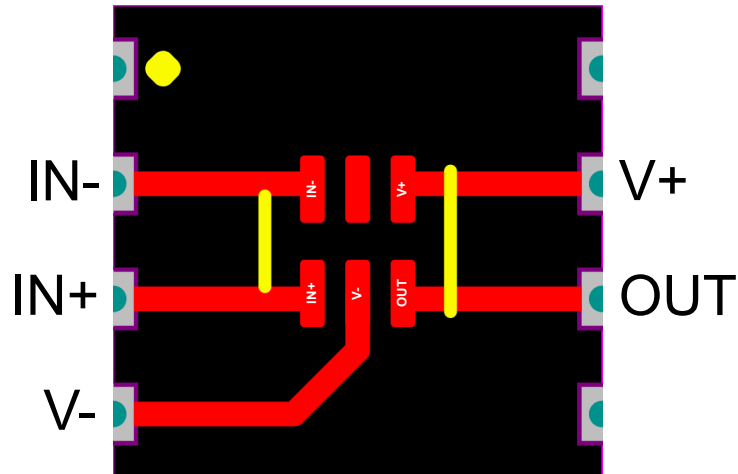


Figure 3-12. Single SOIC to WSON (DSE)

## 4 Layout

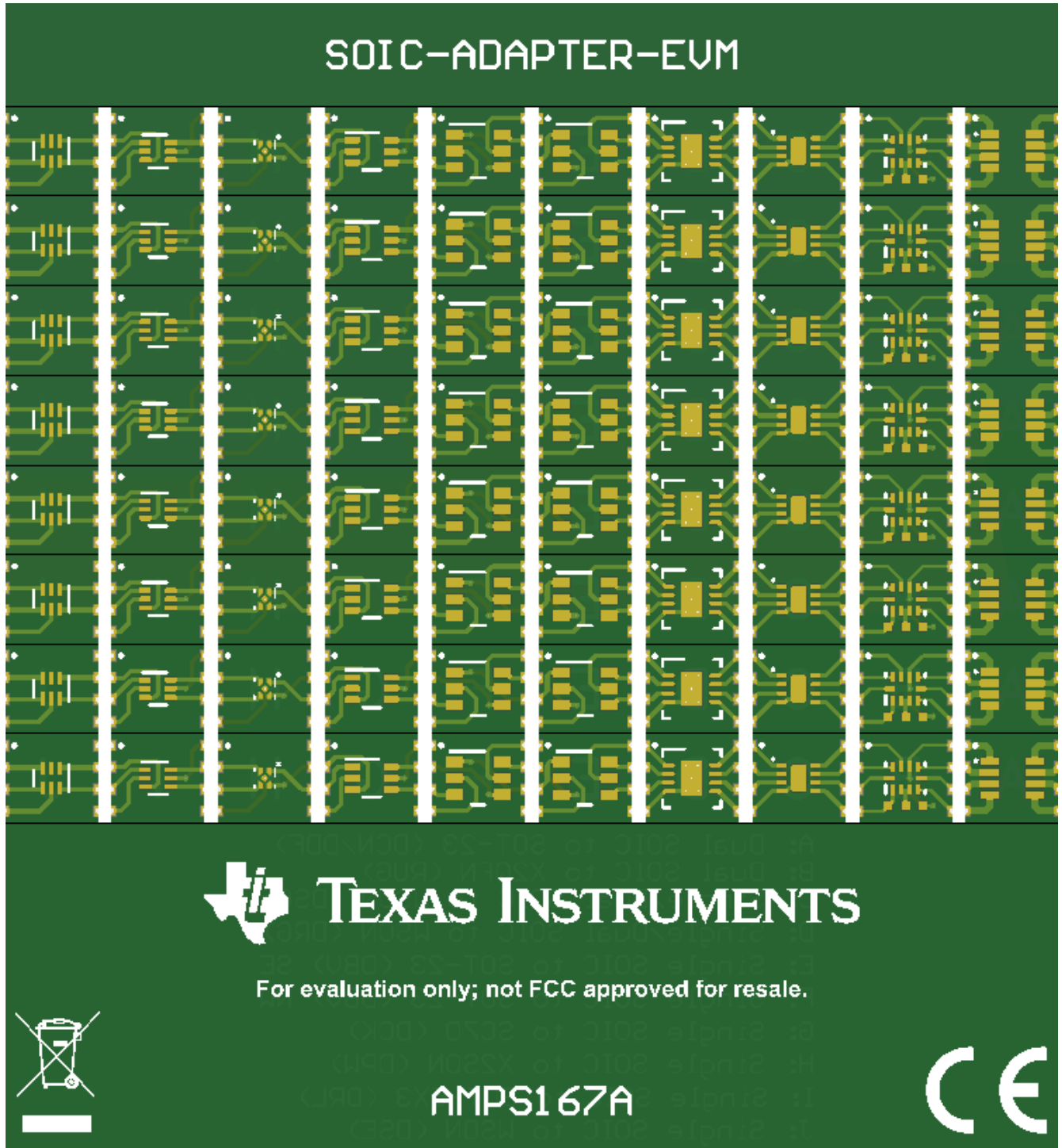


Figure 4-1. PCB Top Layer



Figure 4-2. PCB Bottom Layer

## 5 Bill of Materials

**Table 5-1. Bill of Materials**

Designator	Quantity	Description	Part Number
PCB	1	Printed-Circuit Board	SOIC-ADAPTER-EVM

## IMPORTANT NOTICE AND DISCLAIMER

TI PROVIDES TECHNICAL AND RELIABILITY DATA (INCLUDING DATA SHEETS), DESIGN RESOURCES (INCLUDING REFERENCE DESIGNS), APPLICATION OR OTHER DESIGN ADVICE, WEB TOOLS, SAFETY INFORMATION, AND OTHER RESOURCES "AS IS" AND WITH ALL FAULTS, AND DISCLAIMS ALL WARRANTIES, EXPRESS AND IMPLIED, INCLUDING WITHOUT LIMITATION ANY IMPLIED WARRANTIES OF MERCHANTABILITY, FITNESS FOR A PARTICULAR PURPOSE OR NON-INFRINGEMENT OF THIRD PARTY INTELLECTUAL PROPERTY RIGHTS.

These resources are intended for skilled developers designing with TI products. You are solely responsible for (1) selecting the appropriate TI products for your application, (2) designing, validating and testing your application, and (3) ensuring your application meets applicable standards, and any other safety, security, regulatory or other requirements.

These resources are subject to change without notice. TI grants you permission to use these resources only for development of an application that uses the TI products described in the resource. Other reproduction and display of these resources is prohibited. No license is granted to any other TI intellectual property right or to any third party intellectual property right. TI disclaims responsibility for, and you will fully indemnify TI and its representatives against, any claims, damages, costs, losses, and liabilities arising out of your use of these resources.

TI's products are provided subject to [TI's Terms of Sale](#) or other applicable terms available either on [ti.com](http://ti.com) or provided in conjunction with such TI products. TI's provision of these resources does not expand or otherwise alter TI's applicable warranties or warranty disclaimers for TI products.

TI objects to and rejects any additional or different terms you may have proposed.

Mailing Address: Texas Instruments, Post Office Box 655303, Dallas, Texas 75265  
Copyright © 2022, Texas Instruments Incorporated