



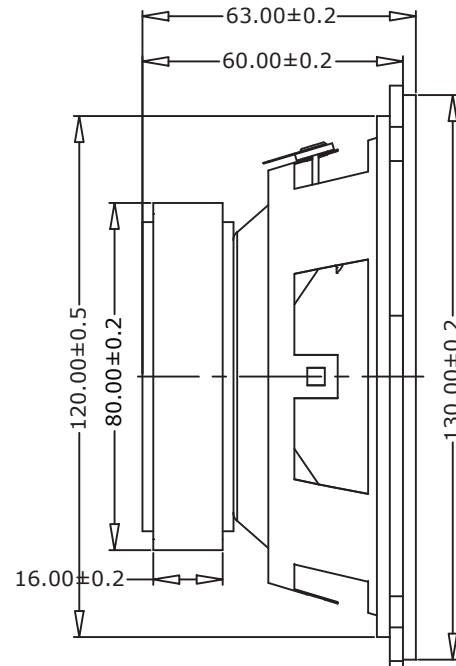
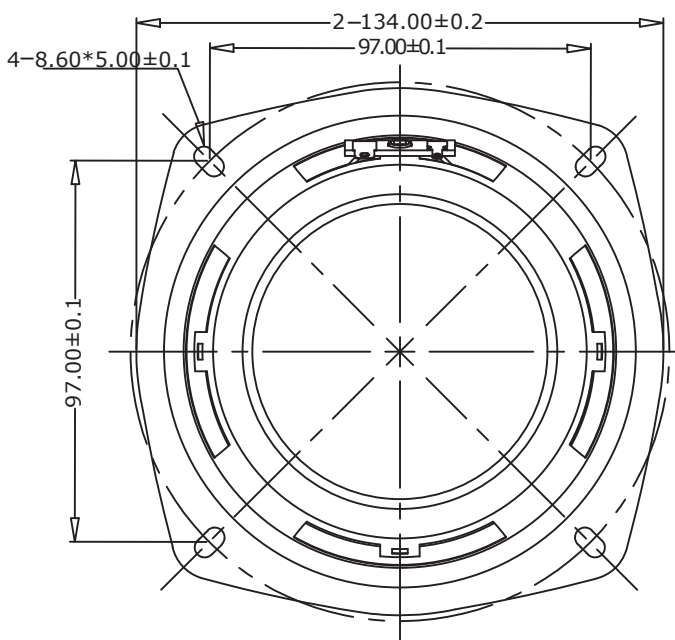
SUFR12025

5" Full Range Speaker Unit

The SUFR12025 is a 120mm 8-ohm 25 Watt full range speaker with powerful Ferrite motor.

Features:

- Optimized for voice band.
- Cloth surround produces 87 decibel (dB) high sensitivity.
- Extended frequency response from dual paper cone.
- Low cost.

**T-S Parameters:**

Resonance frequency [fs]	100Hz
Mechanical Q factor [Qms]	4.62
Electrical Q factor [Qes]	1.241
Total Q factor [Qts]	0.978
Force factor [BI]	5.553Tm
Mechanical resistance [Rms]	1.03kg/s
Moving mass [Mms]	7.6g
Compliance [Cms]	29.957
Effective diaph. diameter [D]	98 mm
Effective piston area [Sd]	93.310cm ²
Equivalent volume [Vas]	3.704L
Sensitivity (2,83V/1m)	87dB

Power Handling:

Rated power input (IEC 268-5)	25W
Max power input (IEC 268-5)	40W

Electrical Data:

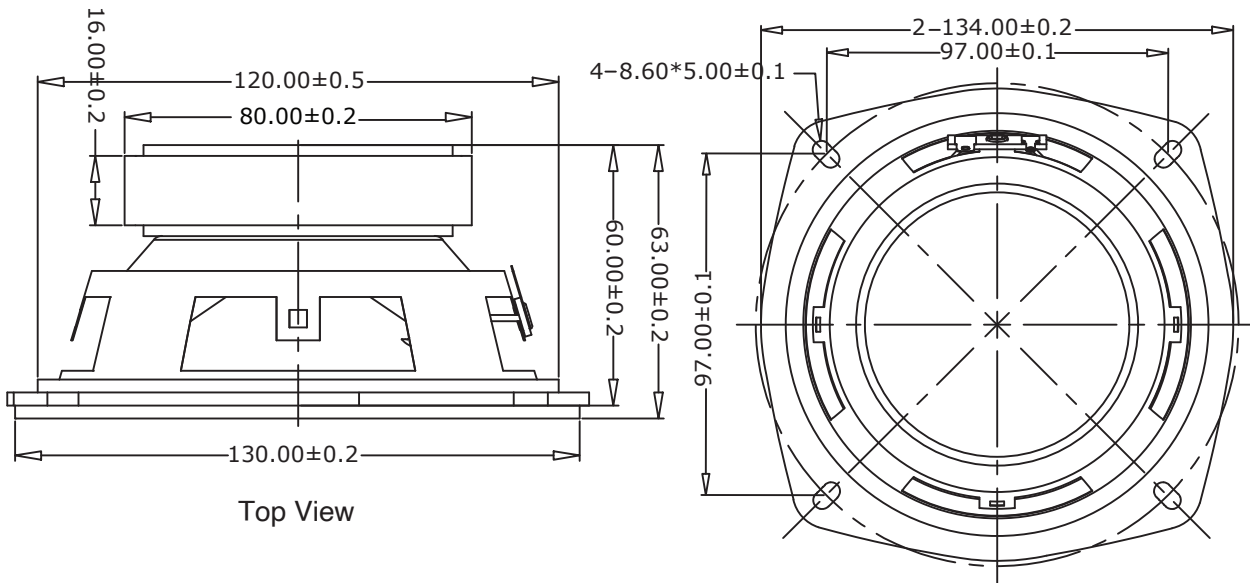
Normal impedance [Zn]	9.42Ω at 1kHz
Minimum impedance [Zmin]	8.65Ω
Maximum impedance [Zo]	41.8Ω
DC resistance [Re]	7.86Ω
Voice coil inductance [Le]	421μH at 1kHz

Mechanical Data:

Voice coil diameter	25.5mm
Voice coil height	8mm
Voice coil layer	1
Gap height	3.5mm
Linear excursion	± 2mm
Max mech. excursion	± 4.2mm
Unit weight	630g
Driver displacement volume	0.13L

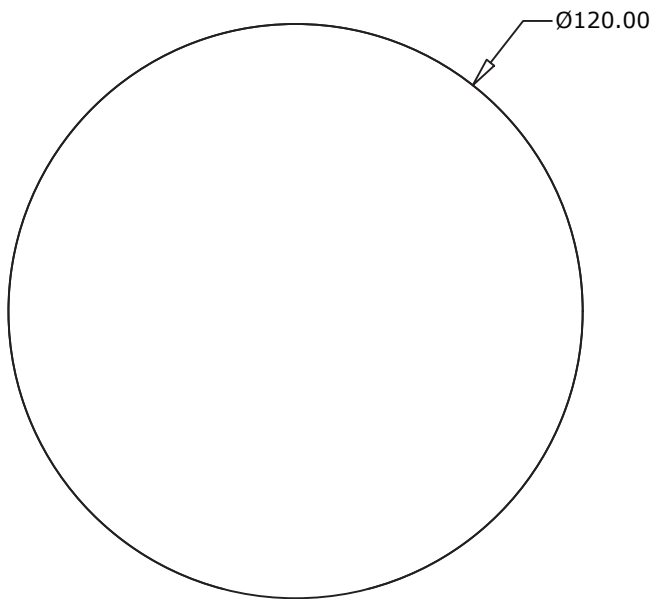


Mechanical Drawing (Nominal Dimensions, mm)

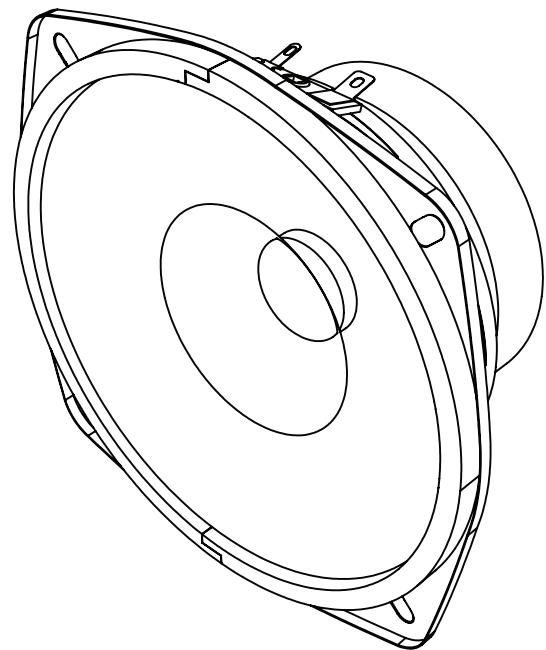


Top View

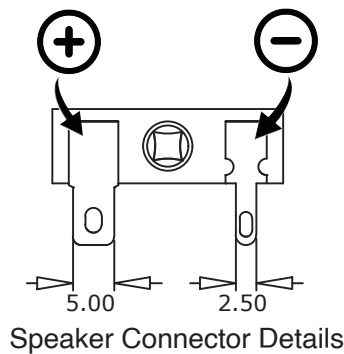
Front View



Installation Hole



3D View



Speaker Connector Details

Note: All views and illustration of the speaker connector are not 1:1 scale.

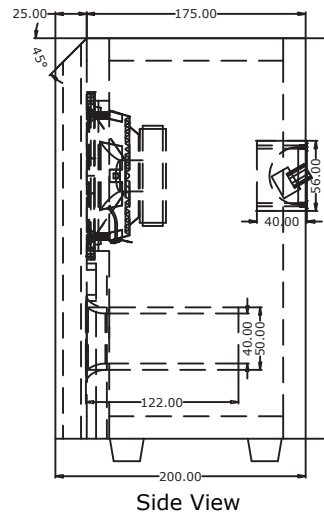
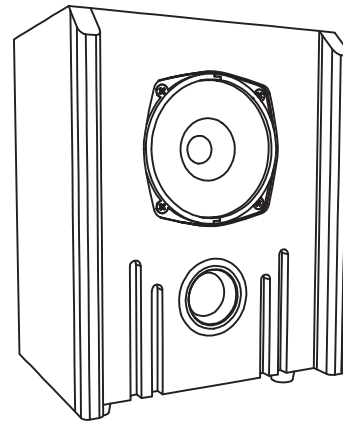
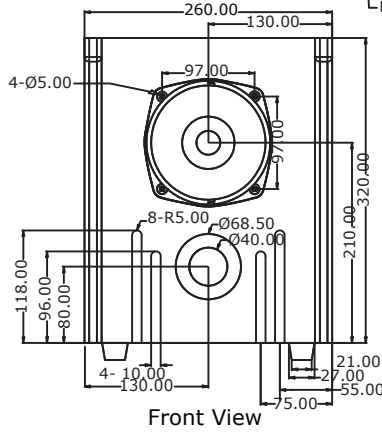
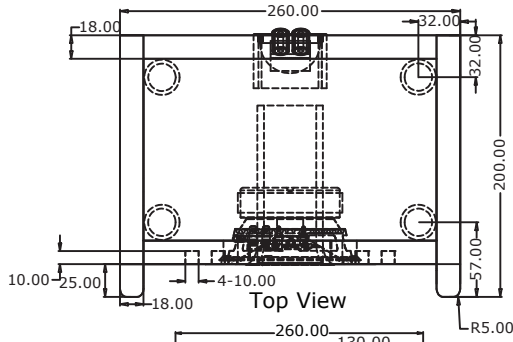


Box Properties 1

Type: Vented Box
Shape: Prism

Box Parameters

Calculated Vb = 20.37lts
Calculated V (total) = 20.74lts
Actual Vb = 8.84lts
Qtc = 0.846
F3 = 41.39Hz
Fill = Normal



Notes:

1. This speaker box is designed and optimized for 5 inch full range speaker.
2. 3D model is provided for free in our resale website www.sure-electronics.com.
3. Actual volume is different with calculated value, but tested and verified, it is an optimized value after prototypes.
4. This model might work with 5 inch full range units from other brands, but performance is not guaranteed.
5. This speaker box unit is for sale and not a standard accessory, customer can find in our website.

Desktop Stereo Application



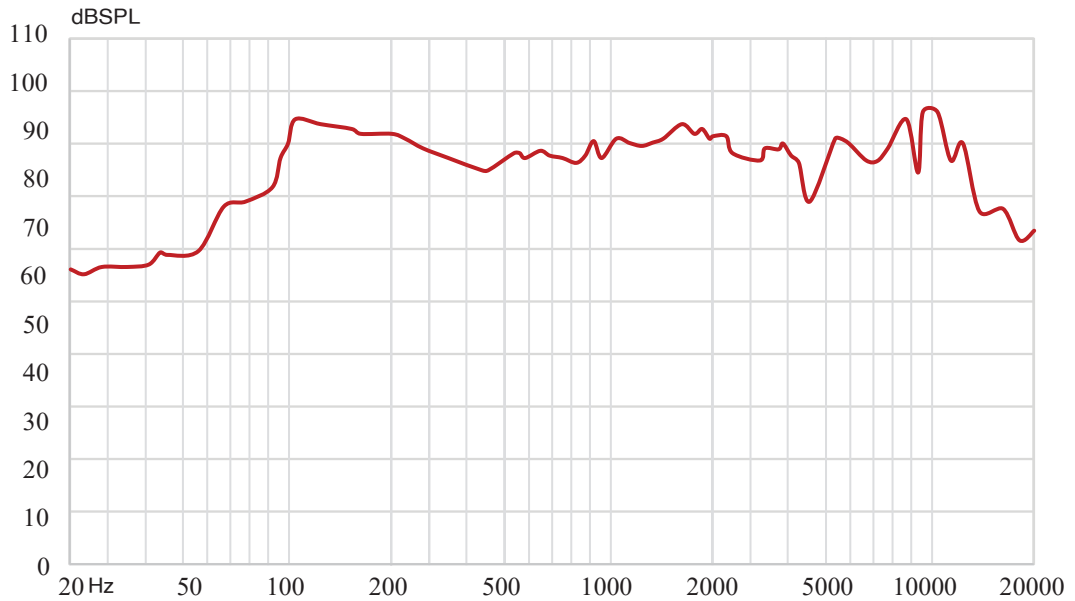
Note:

1. Application of this speaker is not limited to desktop stereo application only.



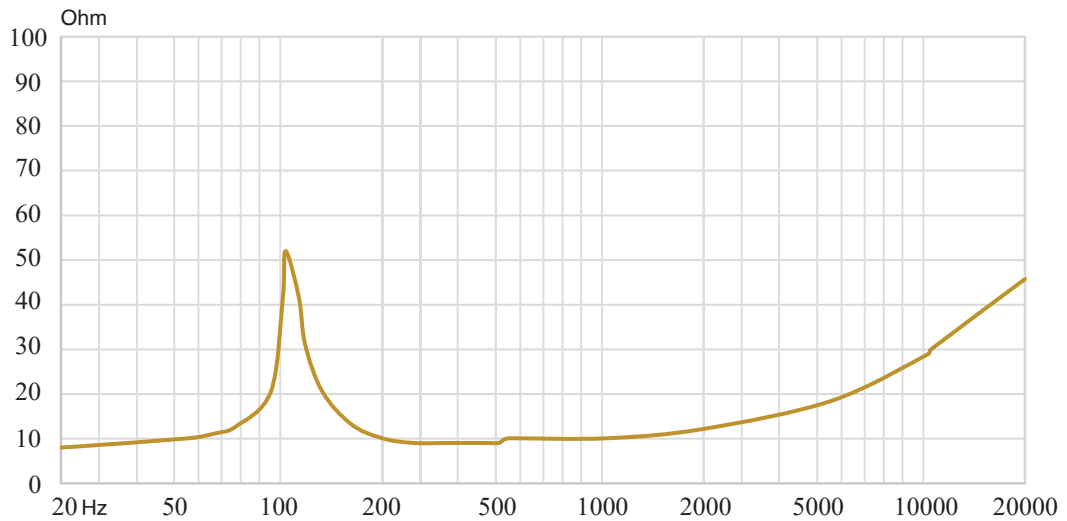
Frequency Response

SPL vs Freq



Impedance Curve

Impedance Vs Frequency



Distributed by:



Sure Electronics Co., Ltd.
Professional Industrial Audio Solution Provider
3F, Building F6, No. 9, Weidi Road,
Xianlin, Qixia Dist., Nanjing, China.
+86(25)8526-0046 | info@sure-electronics.com

To view our products and purchase,
please visit our website:
store.sure-electronics.com

Designed by:



58-7-2, Jalan Cantonment,
Wisma Fortune Heights, 10250, Pulau Pinang, Malaysia.
+60(4)2189323 | info@wondom.com

To view our products, please visit our website:
www.wondom.com



RoHS

- MOQ and SPQ is 1pcs speaker per small cardboard box for retail, incremental is one SPQ 1pcs.
- MOQ and SPQ is 17pcs small cardboard box per carton (530x290x230mm) for wholesale, incremental is one SPQ 17pcs.
- The wooden speaker cabinet is for sale, MOQ and SPQ is 1pcs per small cardboard box.

Drafted:

Approved:

Countersigned: