

FIG. 1 Krimptite - Single Barrel Closed LOOSE PIECE
 FIG. 2 Krimptite - Single Barrel Open STRIP

| Part No. | Fig. | Wire Range | Fits Tab | Stock Thickness | "L" | "B" | "W" | "D" | "H" | "E" | Plating |
|--------------|------|------------|-------------|-----------------|------|------|-------|------|------|------|-------------|
| BBZ-0159 | 2 | 16-14 | .110 x .032 | .016 Inch | .542 | 3/16 | 5/32 | .119 | 3/32 | 1/4 | No Plating |
| BBZ-1159 | 2 | 16-14 | .110 x .032 | .016 Inch | .542 | 3/16 | 5/32 | .119 | 3/32 | 1/4 | Electro-Tin |
| BBZ-0161 | 2 | 16-14 | .187 x .020 | .016 Inch | .542 | 3/16 | 15/64 | .119 | 3/32 | 1/4 | No Plating |
| BBZ-1161 | 2 | 16-14 | .187 x .020 | .016 Inch | .542 | 3/16 | 15/64 | .119 | 3/32 | 1/4 | Electro-Tin |
| BBZ-0164 | 2 | 16-14 | .250 x .032 | .016 Inch | .627 | 3/16 | 19/64 | .156 | 7/64 | 5/16 | No Plating |
| BBZ-1164 | 2 | 16-14 | .250 x .032 | .016 Inch | .627 | 3/16 | 19/64 | .156 | 7/64 | 5/16 | No Plating |
| X P-1139 | 1 | 14-12 | .187 x .020 | .016 Inch | .542 | 3/16 | 15/64 | .119 | 3/32 | 1/4 | Electro-Tin |
| X P-1142 | 1 | 14-12 | .250 x .032 | .016 Inch | .627 | 3/16 | 19/64 | .156 | 7/64 | 5/16 | Electro-Tin |
| PZ-0162 | 2 | 14-12 | .187 x .020 | .016 Inch | .542 | 3/16 | 15/64 | .119 | 3/32 | 1/4 | No Plating |
| PZ-1162 | 2 | 14-12 | .187 x .020 | .016 Inch | .542 | 3/16 | 15/64 | .119 | 3/32 | 1/4 | Electro-Tin |
| PZ-0165 | 2 | 14-12 | .250 x .032 | .016 Inch | .627 | 3/16 | 19/64 | .156 | 7/64 | 5/16 | No Plating |
| PZ-1165 | 2 | 14-12 | .250 x .032 | .016 Inch | .627 | 3/16 | 19/64 | .156 | 7/64 | 5/16 | Electro-Tin |
| BBZ-1185-032 | 2 | 16-14 | .110 x .032 | .016 Inch | .552 | 3/16 | .163 | .119 | 3/32 | 1/4 | ELECTRO-TIN |

TOLERANCES

| | | | | | |
|--------|--------|--------|--------|--------|--------|
| ± .025 | ± 1/64 | ± 1/64 | ± .010 | ± 1/64 | ± 1/64 |
|--------|--------|--------|--------|--------|--------|

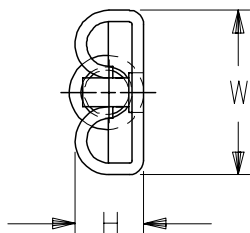
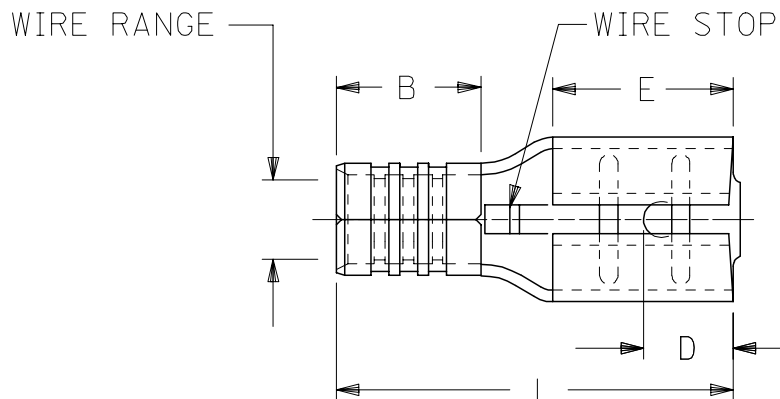
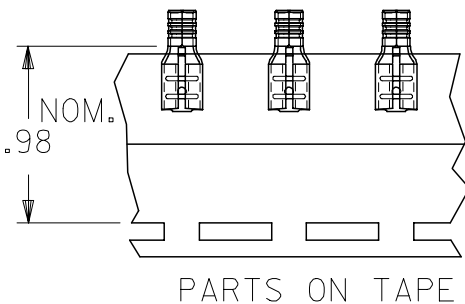
MATERIAL: BRASS
 MARKING: ETC
 PERFORMANCE SPECS See

CUSTOMER QD DIMENSION CHART

| | | | | |
|---|---|----------|-----------------------|---------|
| TITLE: QUICK DISCONNECT KRIMPTITE TERMINALS | DIMENSIONAL TOLERANCE UNLESS OTHERWISE SPECIFIED | REVISION | SCALE: | DATE |
| FRAC. ± | DEC. ± | ANG. ± | DRWN. BY: LEM | 1/22/68 |
| | | | CHKD. BY: | |
| | | | APPRD. BY: | |
| | | | DRAWING NO.: 22A-0001 | |



| MATERIAL NO. LOOSE PIECE | ENGINEERING NO. | MATERIAL NO. TAPE MOUNTED | ENGINEERING NO. | WIRE RANGE AWG | MM ² | FITS MALE TAB SIZE | L MAX | B ±.01/.3 | W MAX | D ±.01/.3 | H ±.01/.3 | E NOM |
|-----------------------------|--------------------|------------------------------|--------------------|-------------------|-----------------|-----------------------|----------|--------------|----------|--------------|--------------|----------|
| 190160085 | P-1142 | 190160086 | P-1142T | 14-12 | 1.65-4.2 | .250x.032 | .66/16.8 | .190/4.83 | .30/7.6 | .156/3.96 | .103/2.62 | .31/7.9 |
| 190160099 | M-1136-032 | 190160144 | M-1136-032T | 26-24 | 0.1-0.3 | .187x.032 | .55/14.0 | .156/3.96 | .24/6.1 | .125/3.18 | .103/2.62 | .25/6.4 |
| 190160006 | AA-1137-032 | 190160007 | AA-1137-032T | 22-18 | 0.25-1.3 | .187x.032 | .58/14.7 | .200/5.08 | .24/6.1 | .125/3.18 | .103/2.62 | .25/6.4 |
| 190160040 | BB-1138-032 | 190160041 | BB-1138-032T | 16-14 | 1.0-2.6 | .187x.032 | .58/14.7 | .200/5.08 | .24/6.1 | .125/3.18 | .103/2.62 | .25/6.4 |
| 190160082 | P-1139-032 | 190160083 | P-1139-032T | 14-12 | 1.65-4.2 | .187x.032 | .58/14.7 | .200/5.08 | .24/6.1 | .125/3.18 | .103/2.62 | .25/6.4 |
| 190160098 | M-1136 | 190160100 | M-1136T | 26-24 | 0.1-0.3 | .187x.020 | .55/14.0 | .156/3.96 | .24/6.1 | .125/3.18 | .086/2.18 | .25/6.4 |
| 190160005 | AA-1137 | 190160008 | AA-1137T | 22-18 | 0.25-1.3 | .187x.020 | .58/14.7 | .200/5.08 | .24/6.1 | .125/3.18 | .086/2.18 | .25/6.4 |
| 190160039 | BB-1138 | 190160042 | BB-1138T | 16-14 | 1.0-2.6 | .187x.020 | .58/14.7 | .200/5.08 | .24/6.1 | .125/3.18 | .086/2.18 | .25/6.4 |
| 190160081 | P-1139 | 190160084 | P-1139T | 14-12 | 1.65-4.2 | .187x.020 | .58/14.7 | .200/5.08 | .24/6.1 | .125/3.18 | .086/2.18 | .25/6.4 |



NOTES:

1. MATERIAL: BRASS (.016/.41 THICK)
2. PLATING: ELECTROPLATE TIN
3. ALL DIMENSIONS IN INCHES/MM
WIRE SIZE: SEE CHART

| | | | | | | | | | |
|---|---|-----------------------------|--|------|--------------------------|------------------|------------------------------------|----------------------|------------------------|
| ADDED MATERIAL NO FC NO: ETC2006-0197 DRAWN BY: DEH CHKD: JLOMASTRO APPR: RDEROSS | DESCRIPTION 2006/01/18 2006/01/18 2006/01/30 | QUALITY SYMBOLS =0 =0 | GENERAL TOLERANCES (UNLESS SPECIFIED) | | DIMENSION STYLE IN/MM | | SCALE 4:1 | DESIGN UNITS INCH | THIRD ANGLE PROJECTION |
| | | | mm | INCH | DRAWN BY RCM | DATE 90/11/28 | TITLE KRIPTITE QUICK DISCONNECT | | |
| 4 PLACES ± --- ± --- | | | 3 PLACES ± --- ± .005 | | CHECKED BY RCM | | DATE 90/11/28 | | MOLEX INCORPORATED |
| 2 PLACES ± 0.13 ± .01 | | | 1 PLACE ± 0.25 ± --- | | APPROVED BY RDEROSS | | DATE 90/11/28 | | |
| ANGULAR ±1/2° | | | DRAFT WHERE APPLICABLE MUST REMAIN WITHIN DIMENSIONS | | SEE CHART | | DOCUMENT NO. SD-19016-004 | | SHEET NO. 1 OF 1 |