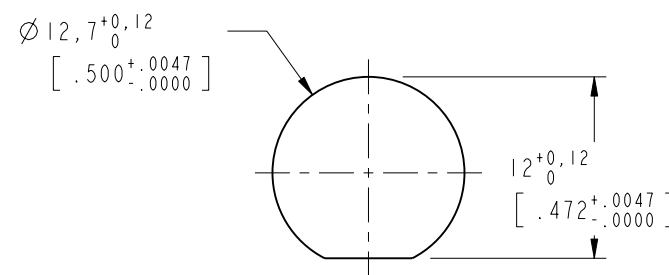


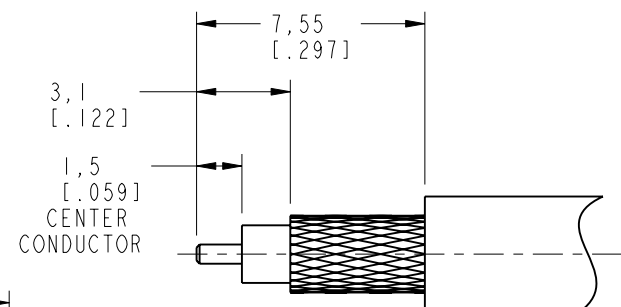
NOTES:

1. MATERIALS AND FINISHES:
 BODY, HEX NUT, LOCK WASHER,
 REAR BODY & FERRULE - BRASS, BLACK CHROMATE OVER NICKEL
 CONTACT - BeCu, GOLD PLATING
 BULLET CONTACT - BRASS, GOLD PLATING
 INSULATOR - PTFE, NATURAL
2. ELECTRICAL:
 A. IMPEDANCE: 50 OHM
 B. FREQUENCY RANGE: DC - 4 GHz
 C. VSWR (RETURN LOSS): 1.30 MAX. (-17.7 dB MIN.)
 D. DIELECTRIC WITHSTAND VOLTAGE: 1500 VRMS, MIN.
3. MECHANICAL:
 A. DURABILITY: 500 CYCLES MIN.
 B. TEMPERATURE RANGE: -40°C TO +85°C
 C. COSMETIC PARAMETERS OF PLATING PER AMPHENOL SPEC. 349-50966
4. CONTACT PIN CAN BE SOLDERED OR USE 4-WAY
 INDENT CRIMP TOOL #47025.
5. CABLE ASSEMBLY INSTRUCTIONS:
 A. TRIM CABLE AS SHOWN.
 B. SLIDE FERRULE ONTO CABLE.
 C. SOLDER BULLET CONTACT TO CABLE CENTER CONDUCTOR.
 D. INSERT CABLE WITH FOIL ENTERING CONNECTOR
 AND BRAID OVER KNURL.
 E. CRIMP FERRULE OVER BRAID WITH .100" HEX DIE.
6. SHOWS CABLE ENTRY DIMENSIONS.
7. PACKAGING:
 A. QUANTITY: SINGLE PACK
 B. MARK BAG OR TAG "AMPHENOL RF, 31-6843-BC, DATE CODE"
 C. HEX NUT, LOCK WASHER, BULLET CONTACT, FERRULE
 AND HEAT SHRINK TUBING ARE PACKAGED LOOSE

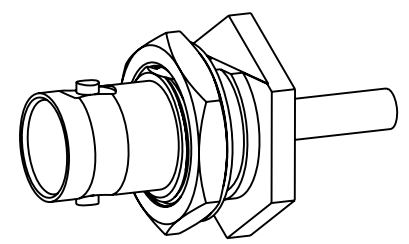
REVISIONS				
REV	DESCRIPTION	DATE	ECN	BY
A	RELEASE TO MFG.	1-JUN-22	16318	SH



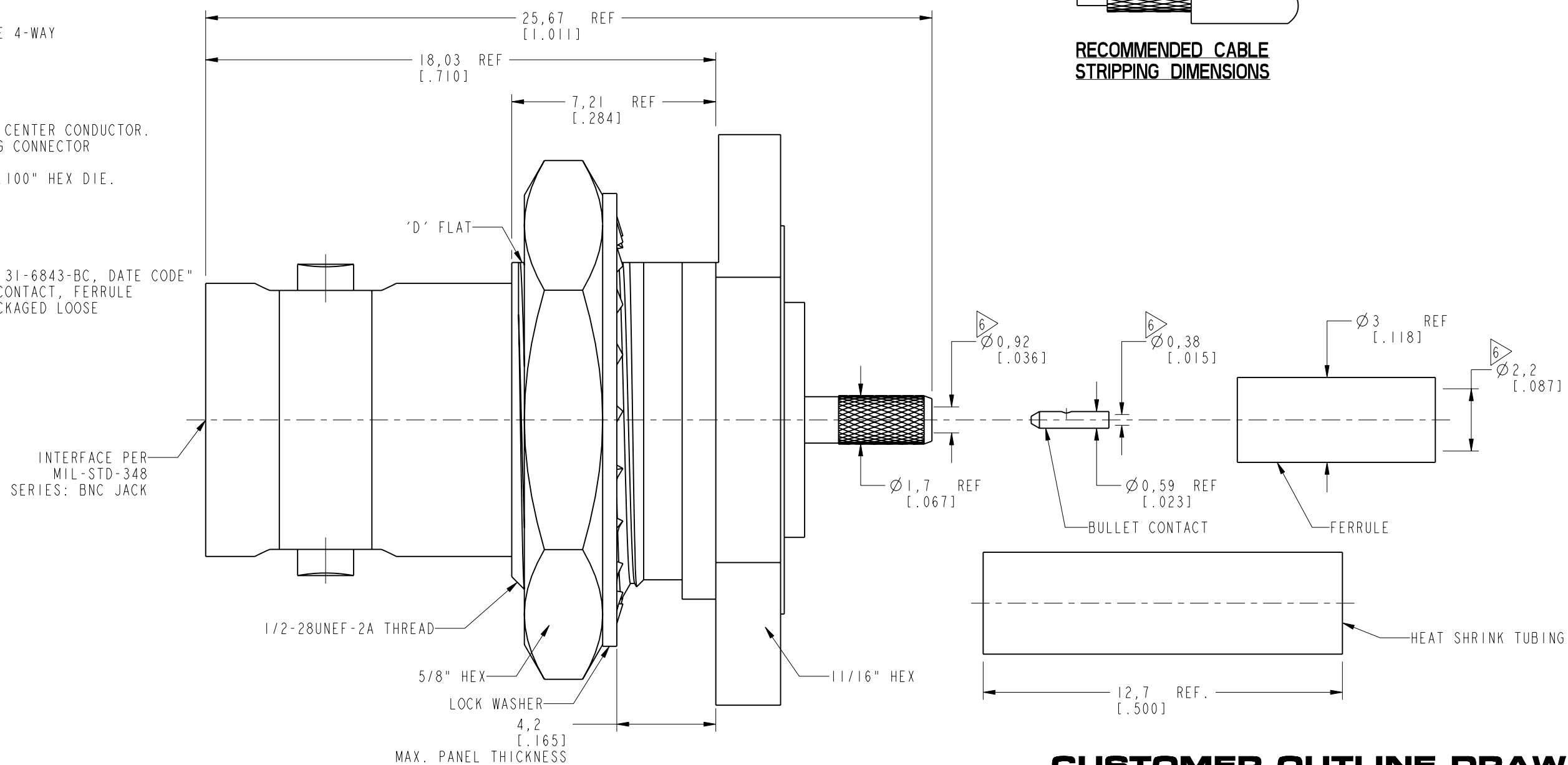
RECOMMENDED MOUNTING HOLE DIMENSIONS



RECOMMENDED CABLE STRIPPING DIMENSIONS



SCALE 1.500



CUSTOMER OUTLINE DRAWING
 ALL OTHER SHEETS ARE FOR INTERNAL USE ONLY

NOTICE: These drawings, specifications, or other data (1) are, and remain the property of Amphenol corp. (2) must be returned upon request; and (3) are confidential and not to be disclosed to any person other than those to whom they are given by Amphenol Corp. The furnishing of these drawings, specifications, or other data by Amphenol Corp., or to any other person to anyone for any purpose is not to be regarded by implication or otherwise in any manner licensing, granting rights to permitting such holder or any other person to manufacture, use or sell any product, process or design, patented or otherwise, that may in any way be related to or disclosed by said drawings, specifications, or other data.		UNLESS OTHERWISE SPECIFIED DIMENSIONS ARE METRIC (INCHES) AND TOLERANCES ARE: <math><0.5\text{mm} = \pm 0.05\text{mm}</math> [$<0.020 = \pm 0.002</math>] $0.5 - 6\text{mm} = \pm 0.1\text{mm}$ [>0.020 - 0.236 = \pm 0.004</math>] $>6.00 - 30\text{mm} = \pm 0.2\text{mm}$ [>0.236 - 1.181 = \pm 0.008</math>] $>30.00 - 120\text{mm} = \pm 0.3\text{mm}$ [>1.181 - 4.725 = \pm 0.012</math>] $		MATERIAL ENGR.1 C.VIGORITO ENGR.2 JACK LIANG DATE 08-JUN-22		TITLE BNC STR BHD JACK RG-178B/U, 196A/U CABLE BLACK PLATED SHEET NO. 2 OF 2 SCALE: 6.0:1.0		Amphenol RF DRAWING NO. 31-6843-BC ITEM NO. 31-6843-BC PART NO. 31-6843-BC		REV A
THIRD ANGLE PROJ.	REFERENCE	EAR# 10661	ANGLES = $\pm 1^\circ$							