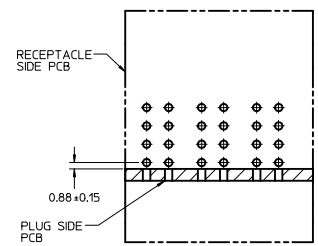


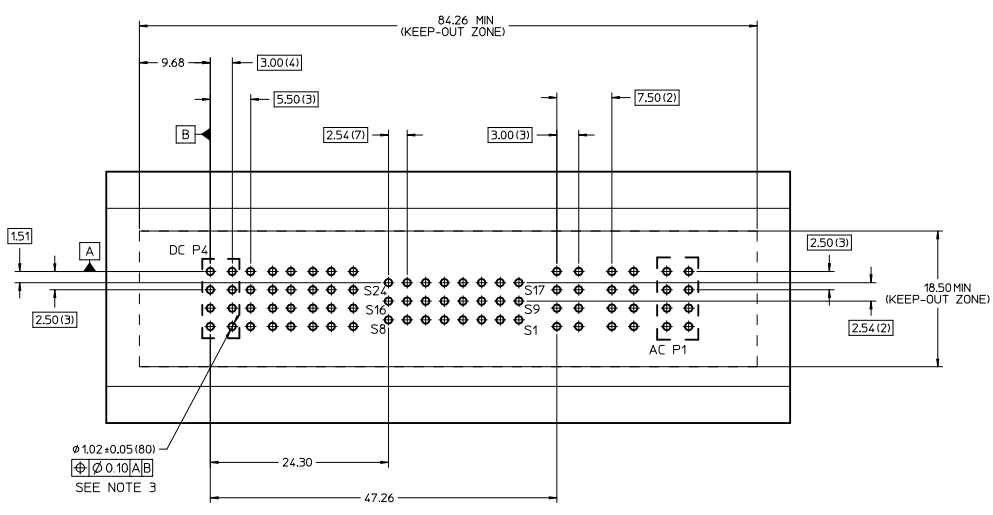
P/N: 46562-3011



SECTION Z-Z

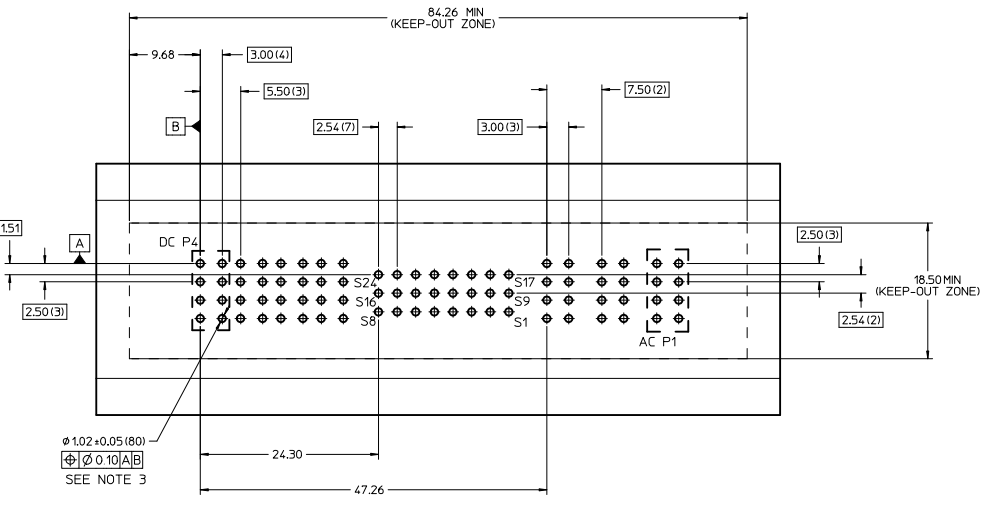
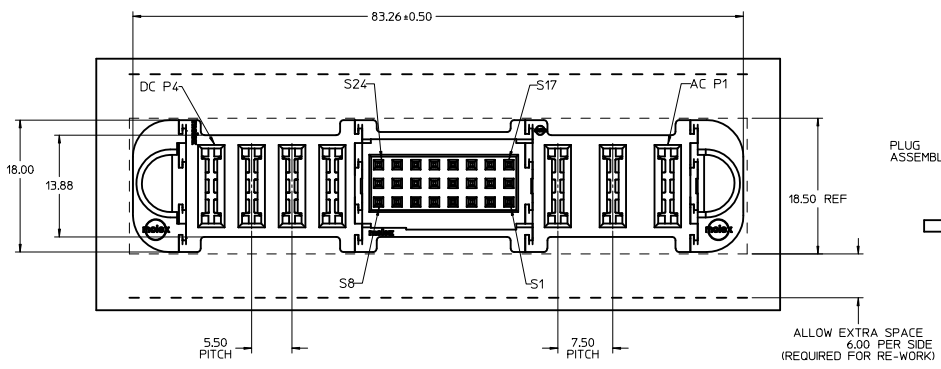
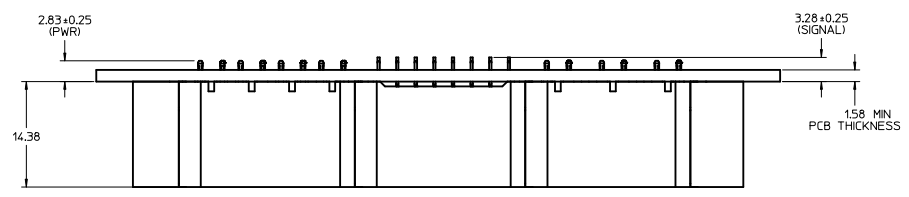
NOTES:

- MATERIAL:
-HOUSINGS: LCP UL94 V-0, COLOR: BLACK.
-TERMINALS: COPPER ALLOY.
-PLATING: 0.000127 NICKEL OVERALL WITH 0.00254 SELECTIVE TIN ON COMPLIANT PINS. AND 0.000762 SELECTIVE GOLD ON CONTACT AREA.
- ASSEMBLIES PACKED IN TRAYS. SPQ: TBD.
- PC BOARD REQUIRES THRU HOLES, REFER TO PS-46436-100 FOR DETAILS.
- PRODUCT SPEC: PS-46436-100.
- APPLICATION SPEC: AS-46436-100.
- PRODUCT TO MEET RoHS REQUIREMENTS.
- ASSEMBLY MATES WITH PLUG ASSEMBLY. P/N 46437-3011.

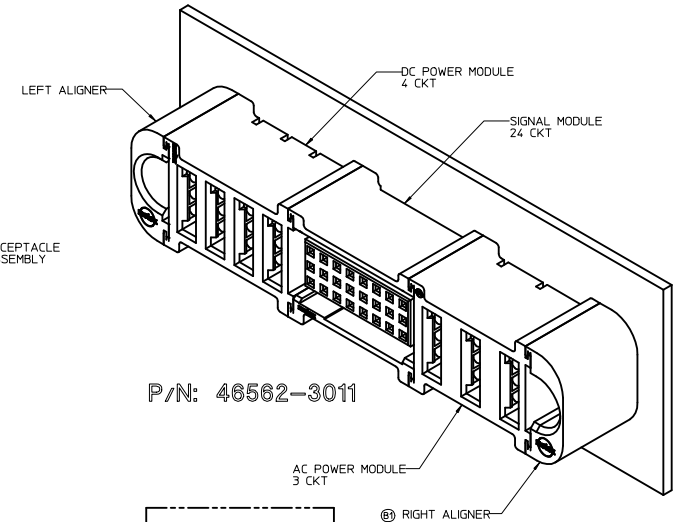
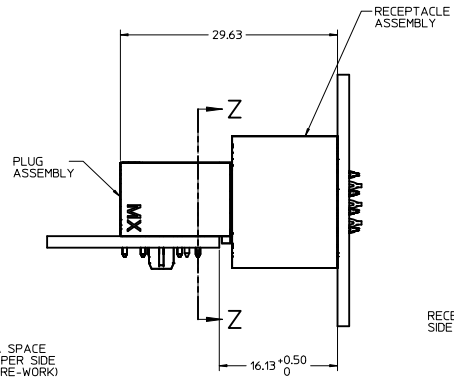


RECOMMENDED PCB LAYOUT AND KEEP-OUT ZONE

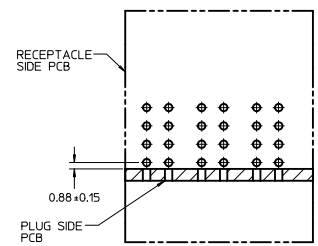
UPDATE DESCRIPTION EC NO: UCP2010-1783 DRAWN BY: DRWN:KARAD/MS CHECKING: 2010/02/08 APPROVAL: APPR:APATEL 2010/02/10	QUALITY SYMBOLS DESCRIPTION	GENERAL TOLERANCES (UNLESS SPECIFIED)		DIMENSION STYLE MM ONLY		SCALE 3:1	DESIGN UNITS METRIC	THIRD ANGLE PROJECTION
		4 PLACES ±--- ±--- 3 PLACES ±--- ±--- 2 PLACES ±0.25 ±--- 1 PLACE ±0.25 ±---	mm INCH	DRAWN BY: KJKOH DATE: 2009/03/11	TITLE VERT RECT ASSY 5P-24S-5P, PRESS-FIT TEN60 POWER FAMILY			
		DRAFT WHERE APPLICABLE MUST REMAIN WITHIN DIMENSIONS		APPROVED BY: SHONG DATE: 2009/05/06	MATERIAL NO: 46562-3011		DOCUMENT NO: SD-46562-311	SHEET NO. 1 OF 1
		THIS DRAWING CONTAINS INFORMATION THAT IS PROPRIETARY TO MOLEX INCORPORATED AND SHOULD NOT BE USED WITHOUT WRITTEN PERMISSION						



RECOMMENDED PCB LAYOUT AND KEEP-OUT ZONE



P/N: 46562-3011



SECTION Z-Z

- NOTES:
- MATERIAL:
 - HOUSINGS: LCP UL94 V-0, COLOR: BLACK.
 - TERMINALS: COPPER ALLOY.
 - PLATING: 0.000127 NICKEL OVERALL WITH 0.00254 SELECTIVE TIN ON COMPLIANT PINS. AND 0.000762 SELECTIVE GOLD ON CONTACT AREA.
 - ASSEMBLIES PACKED IN TRAYS. SPQ: TBD.
 - PC BOARD REQUIRES THRU HOLES, REFER TO PS-46436-100 FOR DETAILS.
 - PRODUCT SPEC: PS-46436-100.
 - APPLICATION SPEC: AS-46436-100.
 - PRODUCT TO MEET RoHS REQUIREMENTS.
 - ASSEMBLY MATES WITH PLUG ASSEMBLY. P/N 46437-3011.

UPDATE DESCRIPTION EEC NO: UCP2010-1783 DRAWN BY: DRWN/KARAD/MS CHECKING: CHY/KLING APPROVAL: APPR/APATEL 2010/01/22 2010/02/08 2010/02/10	QUALITY SYMBOLS DESCRIPTION	GENERAL TOLERANCES (UNLESS SPECIFIED)		DIMENSION STYLE MM ONLY		SCALE 3:1	DESIGN UNITS METRIC	THIRD ANGLE PROJECTION
		4 PLACES ±--- ±--- 3 PLACES ±--- ±--- 2 PLACES ±0.25 ±--- 1 PLACE ±0.25 ±---	mm INCH	DRAWN BY: KJKOH DATE: 2009/03/11	TITLE VERT RECT ASSY 5P-24S-5P, PRESS-FIT TEN60 POWER FAMILY			
		ANGULAR ±1/2°	DRAFT WHERE APPLICABLE MUST REMAIN WITHIN DIMENSIONS	APPROVED BY: SHONG DATE: 2009/05/06	MATERIAL NO. 46562-3011		DOCUMENT NO. SD-46562-311	SHEET NO. 1 OF 1
		THIS DRAWING CONTAINS INFORMATION THAT IS PROPRIETARY TO MOLEX INCORPORATED AND SHOULD NOT BE USED WITHOUT WRITTEN PERMISSION						