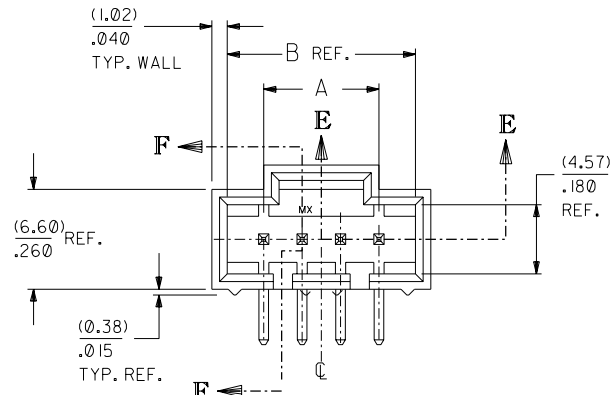
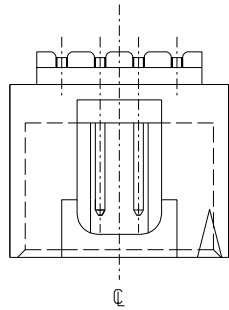
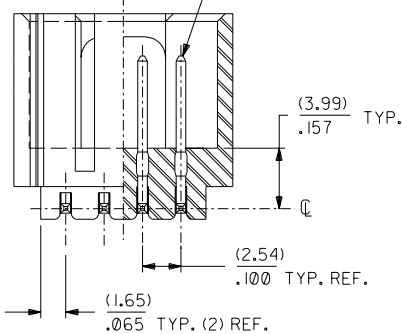


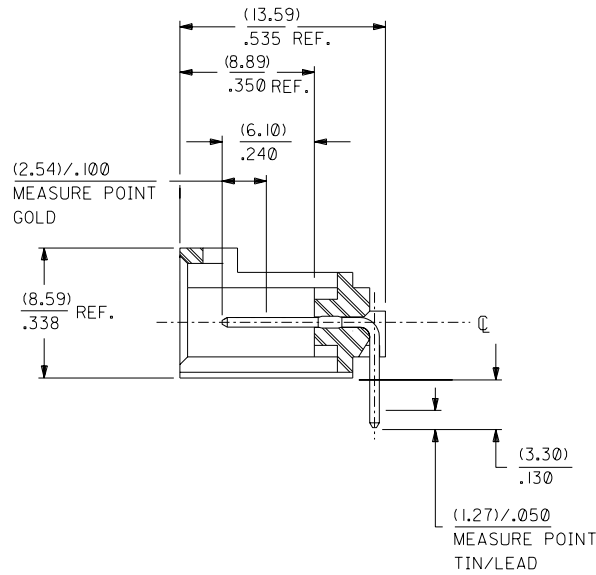
OPTION "C"



(0.64)/.025 S.O. PINS
PHOSPHOR BRONZE



SECTION E-E



SECTION F-F

NOTES

- 1) MATERIAL: G.F. THERMOPLASTIC, 94V-0, COLOR-BLACK.
- 2) HEADER TO BE USED WITH NO. 70004 INTERIM CLIP, VERSION "A".
- 3) REFER TO PRODUCT SPEC: P.S.-7054I.
- 4) STANDARD PACKAGING PER PK-70873-0017. OPTIONAL PACKAGING MAY BE AVAILABLE. (SEE DRAWING PK-70573-**** FOR ORDER NUMBERS)

- TIN - .000150 MINIMUM TIN PLATE
OVER .000050 MINIMUM NICKEL PLATE.
- 15 GOLD - .000015 MINIMUM GOLD PLATE IN SELECT AREA,
.000075 MINIMUM TIN PLATE IN SELECT AREA,
OVER .000050 MINIMUM NICKEL PLATE OVERALL.
- 30 GOLD - .000030 MINIMUM GOLD PLATE IN SELECT AREA,
.000075 MINIMUM TIN PLATE IN SELECT AREA,
OVER .000050 MINIMUM NICKEL PLATE OVERALL.

(2.54 ± 0.08)
.100 ± 0.03
TYP. NON-ACCUM.

(1.09 ± 0.08)
.043 ± 0.03
DIA. TYP.

RECOMMENDED P.C. BOARD LAYOUT

(FOR USE WITH (1.57)/.062 THICK BOARD)

*THE PRIMARY SHIPPING CARTON WILL BE LABELED "COMPLIANT TO ROHS DIRECTIVE 2002/95/EC AND ELV ANNEX II OF DIRECTIVE 2000/53/EC". CARTONS WITHOUT THIS LABEL MAY CONTAIN PRODUCT WITH LEAD. PLATING PER E.S.-88-****

| | | |
|------|-----|------|
| | 2 | B |
| | 1 | B |
| MFG. | SH. | REV. |

| DIMENSIONS SHOWN (METRIC) INCH UNLESS OTHERWISE SPECIFIED TOLERANCES: ANGULAR ± 1/2° | | ▽ = 0 | ▼ = 0 | REVISE ONLY ON CAD SYSTEM | | | | | | | | | | | | | | | | |
|---|-----------|---|-----------|---------------------------|--|---------|--------|-----|-----|---------|--------|--------|-----|---------|-----|--------|-----|--|--|--|
| <table border="1"> <tr> <th colspan="2">INCH</th> <th colspan="2">METRIC</th> </tr> <tr> <td>3 PLACE</td> <td>± .010</td> <td>---</td> <td>---</td> </tr> <tr> <td>2 PLACE</td> <td>± .014</td> <td>± 0.25</td> <td>---</td> </tr> <tr> <td>1 PLACE</td> <td>---</td> <td>± 0.35</td> <td>---</td> </tr> </table> | | INCH | | METRIC | | 3 PLACE | ± .010 | --- | --- | 2 PLACE | ± .014 | ± 0.25 | --- | 1 PLACE | --- | ± 0.35 | --- | TITLE SALES ASSEMBLY HEADER - RIGHT ANGLE 100 CENTERS | | |
| INCH | | METRIC | | | | | | | | | | | | | | | | | | |
| 3 PLACE | ± .010 | --- | --- | | | | | | | | | | | | | | | | | |
| 2 PLACE | ± .014 | ± 0.25 | --- | | | | | | | | | | | | | | | | | |
| 1 PLACE | --- | ± 0.35 | --- | | | | | | | | | | | | | | | | | |
| DRAFT WHERE APPLICABLE MUST REMAIN WITHIN DIMENSIONS | | SHEET NO. DATE 1 OF 2 05/13/93 | | | | | | | | | | | | | | | | | | |
| DRWG. BY: AAB CHK'D. BY: AAB | | PART NO. DRWG. NO. SEE CHART SDA-70573-**** | | | | | | | | | | | | | | | | | | |
| APP'D. BY: WAZ SCALE: 4 : 1 | | FILE NAME: 510573X1.DGN THIS DRAWING CONTAINS INFORMATION THAT IS PROPRIETARY TO MOLEX INC. AND SHOULD NOT BE USED WITHOUT WRITTEN PERMISSION. | | | | | | | | | | | | | | | | | | |
| LTR. | REVISIONS | LTR. | REVISIONS | APP'D. BY: DA SIZE: C | | | | | | | | | | | | | | | | |

| CKT. SIZE | "A" | | "B" REF. | |
|-----------|-------|-------|----------|-------|
| | MM | IN. | MM | IN. |
| 4 | 7.62 | .300 | 12.45 | .490 |
| 5 | 10.16 | .400 | 14.99 | .590 |
| 6 | 12.70 | .500 | 17.53 | .690 |
| 7 | 15.24 | .600 | 20.07 | .790 |
| 8 | 17.78 | .700 | 22.61 | .890 |
| 9 | 20.32 | .800 | 25.15 | .990 |
| 10 | 22.86 | .900 | 27.69 | 1.090 |
| 11 | 25.40 | 1.000 | 30.23 | 1.190 |
| 12 | 27.94 | 1.100 | 32.77 | 1.290 |
| 13 | 30.48 | 1.200 | 35.31 | 1.390 |
| 14 | 33.02 | 1.300 | 37.85 | 1.490 |
| 15 | 35.56 | 1.400 | 40.39 | 1.590 |
| 16 | 38.10 | 1.500 | 42.93 | 1.690 |
| 17 | 40.64 | 1.600 | 45.47 | 1.790 |
| 18 | 43.18 | 1.700 | 48.01 | 1.890 |
| 19 | 45.72 | 1.800 | 50.55 | 1.990 |
| 20 | 48.26 | 1.900 | 53.09 | 2.090 |
| 21 | 50.80 | 2.000 | 55.63 | 2.190 |
| 22 | 53.34 | 2.100 | 58.17 | 2.290 |
| 23 | 55.88 | 2.200 | 60.71 | 2.390 |
| 24 | 58.42 | 2.300 | 63.25 | 2.490 |
| 25 | 60.96 | 2.400 | 65.79 | 2.590 |

| | | | | | | | | | | | | | |
|---|--------------------------------|----------------------------|----|----|---|---|---|---|-----------------------|----------------|------------------------|----------------|---|
| | 13 | 12 | 11 | 10 | 9 | 8 | 7 | 6 | 70573 | 4 | 3 | 2 | 1 |
| J | ENGINEERING NUMBER A-70573- | MANUFACTURE RELEASE STATUS | | | | | | | CONNECTOR END PLATING | | P.C. BOARD END PLATING | | |
| | | | | | | | | | TYPE | H MEAS. | TYPE | K MEAS. | |
| | -0003-0024 | R.F.M. | | | | | | | 15 GOLD | (2,54) .100 | TIN | (1,27) .050 | |
| | -0038-0059 | R.F.M. | | | | | | | TIN | (2,54) .100 | TIN | (1,27) .050 | |
| I | -0073-0094 | | | | | | | | | | | | |
| | -0108-0129 | R.F.M. | | | | | | | 30 GOLD | (2,54) .100 | TIN | (1,27) .050 | |
| H | | | | | | | | | | | | | |

| | | | | | | | | | | | | | | | | |
|---|------|-------------|--------------|-------------|--------------|------------|------------|-------------|--------------|------------|------------|------------|------------|------------|------------|------|
| G | CKTS | EDP NUMBER | ENG NUMBER | EDP NUMBER | ENG NUMBER | EDP NUMBER | ENG NUMBER | EDP NUMBER | ENG NUMBER | EDP NUMBER | ENG NUMBER | EDP NUMBER | ENG NUMBER | EDP NUMBER | ENG NUMBER | CKTS |
| | 02 | N.A. | N.A. | N.A. | N.A. | N.A. | N.A. | N.A. | N.A. | | | | | | | 02 |
| | 03 | N.A. | N.A. | N.A. | N.A. | N.A. | N.A. | N.A. | N.A. | | | | | | | 03 |
| | 04 | 705-73-0003 | A-70573-0003 | 705-73-0038 | A-70573-0038 | | | 705-73-0108 | A-70573-0108 | | | | | | | 04 |
| | 05 | 705-73-0004 | A-70573-0004 | 705-73-0039 | A-70573-0039 | | | 705-73-0109 | A-70573-0109 | | | | | | | 05 |
| | 06 | 705-73-0005 | A-70573-0005 | 705-73-0040 | A-70573-0040 | | | 705-73-0110 | A-70573-0110 | | | | | | | 06 |
| F | 07 | 705-73-0006 | A-70573-0006 | 705-73-0041 | A-70573-0041 | | | 705-73-0111 | A-70573-0111 | | | | | | | 07 |
| | 08 | 705-73-0007 | A-70573-0007 | 705-73-0042 | A-70573-0042 | | | 705-73-0112 | A-70573-0112 | | | | | | | 08 |
| | 09 | 705-73-0008 | A-70573-0008 | 705-73-0043 | A-70573-0043 | | | 705-73-0113 | A-70573-0113 | | | | | | | 09 |
| | 10 | 705-73-0009 | A-70573-0009 | 705-73-0044 | A-70573-0044 | | | 705-73-0114 | A-70573-0114 | | | | | | | 10 |
| | 11 | 705-73-0010 | A-70573-0010 | 705-73-0045 | A-70573-0045 | | | 705-73-0115 | A-70573-0115 | | | | | | | 11 |
| | 12 | 705-73-0011 | A-70573-0011 | 705-73-0046 | A-70573-0046 | | | 705-73-0116 | A-70573-0116 | | | | | | | 12 |
| E | 13 | 705-73-0012 | A-70573-0012 | 705-73-0047 | A-70573-0047 | | | 705-73-0117 | A-70573-0117 | | | | | | | 13 |
| | 14 | 705-73-0013 | A-70573-0013 | 705-73-0048 | A-70573-0048 | | | 705-73-0118 | A-70573-0118 | | | | | | | 14 |
| | 15 | 705-73-0014 | A-70573-0014 | 705-73-0049 | A-70573-0049 | | | 705-73-0119 | A-70573-0119 | | | | | | | 15 |
| | 16 | 705-73-0015 | A-70573-0015 | 705-73-0050 | A-70573-0050 | | | 705-73-0120 | A-70573-0120 | | | | | | | 16 |
| | 17 | 705-73-0016 | A-70573-0016 | 705-73-0051 | A-70573-0051 | | | 705-73-0121 | A-70573-0121 | | | | | | | 17 |
| | 18 | 705-73-0017 | A-70573-0017 | 705-73-0052 | A-70573-0052 | | | 705-73-0122 | A-70573-0122 | | | | | | | 18 |
| | 19 | 705-73-0018 | A-70573-0018 | 705-73-0053 | A-70573-0053 | | | 705-73-0123 | A-70573-0123 | | | | | | | 19 |
| D | 20 | 705-73-0019 | A-70573-0019 | 705-73-0054 | A-70573-0054 | | | 705-73-0124 | A-70573-0124 | | | | | | | 20 |
| | 21 | 705-73-0020 | A-70573-0020 | 705-73-0055 | A-70573-0055 | | | 705-73-0125 | A-70573-0125 | | | | | | | 21 |
| | 22 | 705-73-0021 | A-70573-0021 | 705-73-0056 | A-70573-0056 | | | 705-73-0126 | A-70573-0126 | | | | | | | 22 |
| | 23 | 705-73-0022 | A-70573-0022 | 705-73-0057 | A-70573-0057 | | | 705-73-0127 | A-70573-0127 | | | | | | | 23 |
| | 24 | 705-73-0023 | A-70573-0023 | 705-73-0058 | A-70573-0058 | | | 705-73-0128 | A-70573-0128 | | | | | | | 24 |
| | 25 | 705-73-0024 | A-70573-0024 | 705-73-0059 | A-70573-0059 | | | 705-73-0129 | A-70573-0129 | | | | | | | 25 |

| | | | | | | | | | | | | | | |
|---|--|--|--|--|--|--|--|--|--|--|--|--|--|---|
| C | | | | | | | | | | | | | | C |
| B | | | | | | | | | | | | | | B |

| | | | | | | | | | | | | | | |
|------------------|--|--|--|--|------------------|--|--|--|--|--|--|---|--|--|
| | | | | | | | | | | DIMENSIONS SHOWN (METRIC) INCH UNLESS OTHERWISE SPECIFIED TOLERANCES: ANGULAR ± 1/2° | | ▽ = 0 ▼ = 0 REVISE ONLY ON CAD SYSTEM | | |
| | | | | | | | | | | INCH METRIC | | TITLE | | |
| | | | | | | | | | | 3 PLACE ± --- --- | | SALES ASSEMBLY HEADER - RIGHT ANGLE 100 CENTERS | | |
| | | | | | | | | | | 2 PLACE ± --- ± --- | | MOLEX INCORPORATED SHEET NO. DATE | | |
| | | | | | | | | | | 1 PLACE --- ± --- | | L15LE,ILL. U.S.A. 60532 2 05/13/93 | | |
| | | | | | | | | | | DRAFT WHERE APPLICABLE MUST REMAIN WITHIN DIMENSIONS | | PART NO. DRWG. NO. | | |
| | | | | | | | | | | SEE SHEET 1 | | SEE CHART SDA-70573-**** | | |
| | | | | | | | | | | DRWG. BY: AAB CHK'D. BY: AAB | | FILE NAME DIV. SIZE | | |
| | | | | | | | | | | APP'D. BY: WAZ SCALE: : | | 70573X2 MOLEX INC. AND SHOULD NOT BE USED WITHOUT WRITTEN PERMISSION DA C | | |
| LTR. REVISIONS | | | | | LTR. REVISIONS | | | | | | | | | |

| | | | | | | | | | | | | | |
|--|----|----|----|----|---|---|---|---|---|---|---|---|---|
| | 13 | 12 | 11 | 10 | 9 | 8 | 7 | 6 | 5 | 4 | 3 | 2 | 1 |
|--|----|----|----|----|---|---|---|---|---|---|---|---|---|