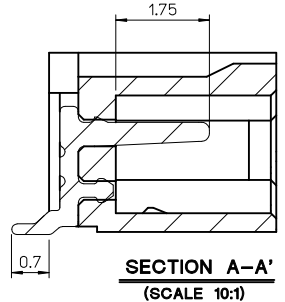
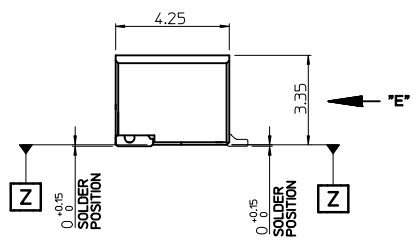
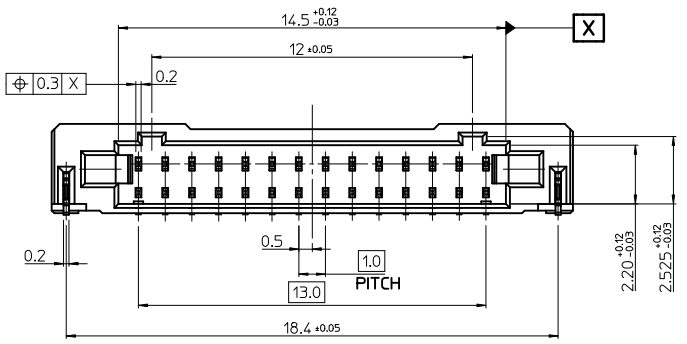
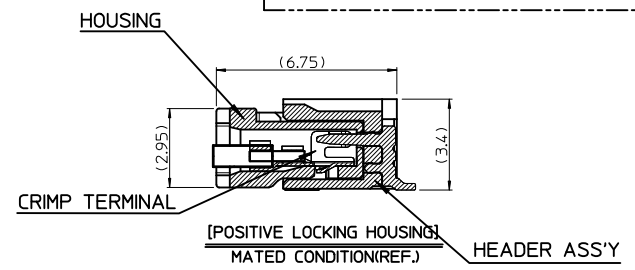
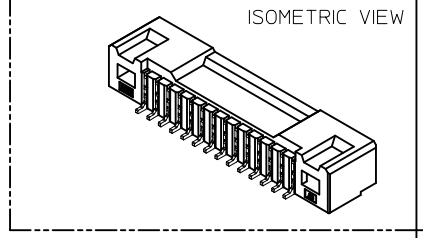


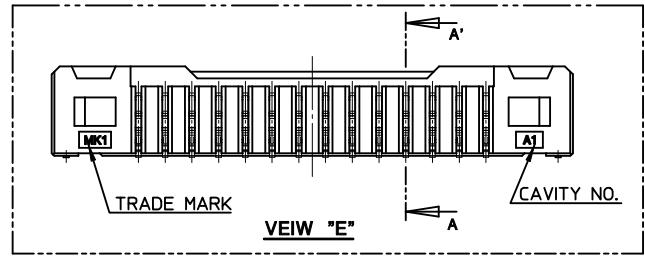
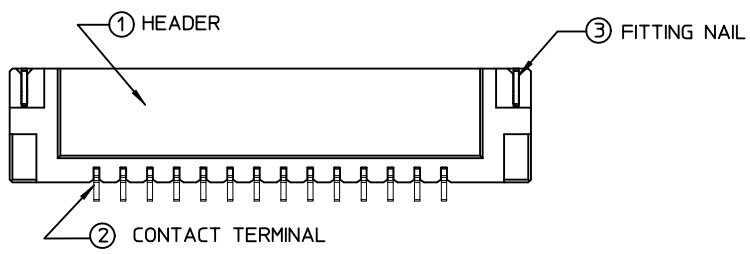
RECOMMENDED PCB LAYOUT
(TOLERANCE : ±0.05)



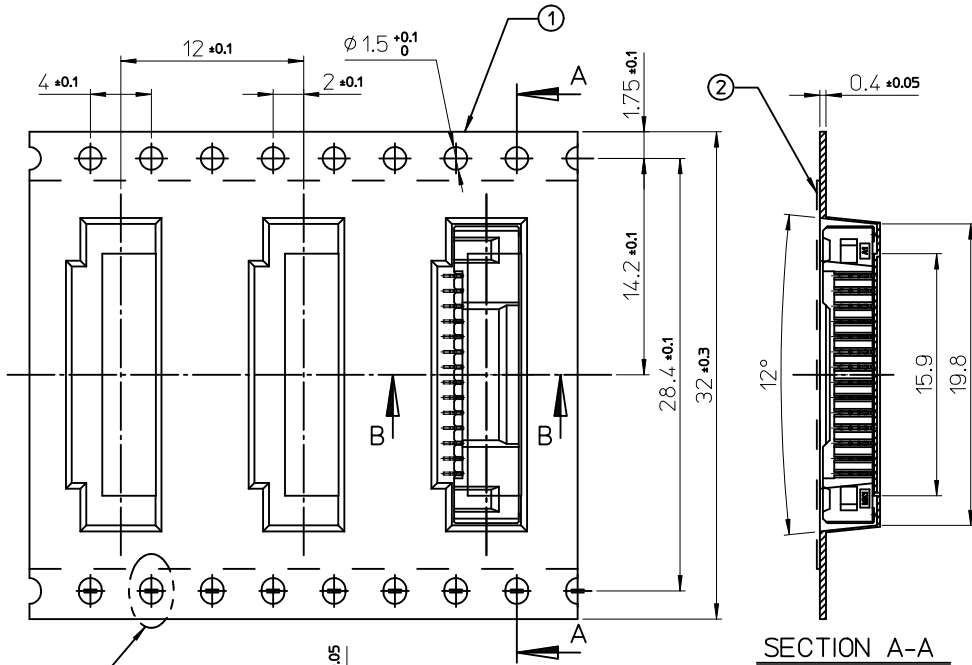
SECTION A-A'
(SCALE 10:1)

NOTES.

- MATED WITH : 104138-1400
- MATERIALS.
 - ① HEADER : LIQUID CRYSTAL POLYMER, COLOR OF NATURAL
 - ② CONTACT TERMINAL : PHOSPHOR BRONZE
 - ③ FITTING NAIL : PHOSPHOR BRONZE
- FINESHIES.
 - ② CONTACT TERMINAL : PURE-TIN OVER NI PLATING
 - ③ FITTING NAIL : PURE-TIN OVER NIPLATING
- COPLANALITH OF SOLDER TAIL (PEAK TEMP. : 260°C) BEFORE & AFTER REFLOW : 0.08MAX

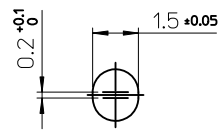


NEW RELEASED EC NO: KOR2012-0112 DRWN:HYOU CHKD:SH. CHU APPR:YSKIM02	2012/04/21 2012/04/25	QUALITY SYMBOLS ▽=0 ◻=0	GENERAL TOLERANCES (UNLESS SPECIFIED)		DIMENSION STYLE MM ONLY		SCALE 5:1	DESIGN UNITS METRIC	THIRD ANGLE PROJECTION		
			4 PLACES	± ---	± ---	DRAWN BY I.H. YOU	DATE 2011/04/19	TITLE 1.0 W-T-B CONN.-14P HEADER ASS'Y			
			3 PLACES	± ---	± ---	CHECKED BY SH. CHU	DATE 2011/04/19				
			2 PLACES	± 0.15	± ---	APPROVED BY YSKIM02	DATE 2012/04/25	MOLEX INCORPORATED DOCUMENT NO. SD-104139-001 SHEET NO. 1 OF 1			
1 PLACE	± 0.20	± ---	MATERIAL NO. 1041391410								
DRAFT WHERE APPLICABLE MUST REMAIN WITHIN DIMENSIONS			ANGULAR ± 1 °		THIS DRAWING CONTAINS INFORMATION THAT IS PROPRIETARY TO MOLEX INCORPORATED AND SHOULD NOT BE USED WITHOUT WRITTEN PERMISSION						

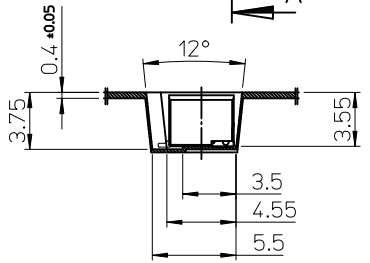


SECTION A-A

PULL OUT DIRECTION

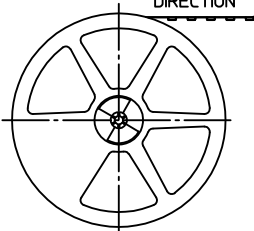


DETAIL C

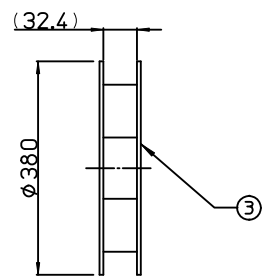


SECTION B-B

PULL OUT DIRECTION



PLASTIC BOBBIN



NOTES

1. QUANTITY OF CONNECTORS : 2,000 PCS/REEL
2. LEAD LENGTH
3. PEELING OFF FORCE OF COVER TAPE : 0.1N~0.59N(10.2GF~60GF)
 (PEELING DIRECTION AS SHOW IN FOLLOW FIG.)
 PEELING OFF SPEED : 300mm/Min.(Ref.)
4. FLASH IN ANY PORTION SHOULD BE LESS THAN 0.20mm MAX.
5. UNLESS OTHERWISE SPECIFIED INNER R0.2 MAX
6. DRAFT ANGLE 3°MAX

[TABLE]

3	PLASTIC BOBBIN	HI P.S	WHITE
2	COVER TAPE	PET ANTISTATIC	25.5m
1	CARRIER (EMBOSSD) TAPE	PET ANTISTATIC	
NO.	DESCRIPTION	MATERIAL	REMARK

NEW RELEASED EC NO: KOR2012-0112 DRWN: IHYOU 2012/04/21 CHKD: SH. CHU APPR: YSKIM02 2012/04/25	QUALITY SYMBOLS ▽=0 ▽=0	GENERAL TOLERANCES (UNLESS SPECIFIED)		DIMENSION STYLE MM ONLY		SCALE 4:1	ORDER NUMBER 104139-1410			
		4 PLACES ± --- ± ---	3 PLACES ± --- ± ---	2 PLACES ± --- ± ---	1 PLACE ± 0.25 ± ---	ANGULAR ± 1 °	DRAWN BY IH. YOU	DATE 2011/05/11	DESIGN UNITS METRIC	THIRD ANGLE PROJECTION
		DRAFT WHERE APPLICABLE MUST REMAIN WITHIN DIMENSIONS		SEE TABLE		MATERIAL NO. YSKIM02		TITLE 1.0 W-T-B CONN.-14P HEADER ASS'Y EMBOSSD PACKAGE		
		SIZE A3		THIS DRAWING CONTAINS INFORMATION THAT IS PROPRIETARY TO MOLEX INCORPORATED AND SHOULD NOT BE USED WITHOUT WRITTEN PERMISSION		MOLEX INCORPORATED		DOCUMENT NO. SD-104139-002	SHEET NO. 1 OF 1	