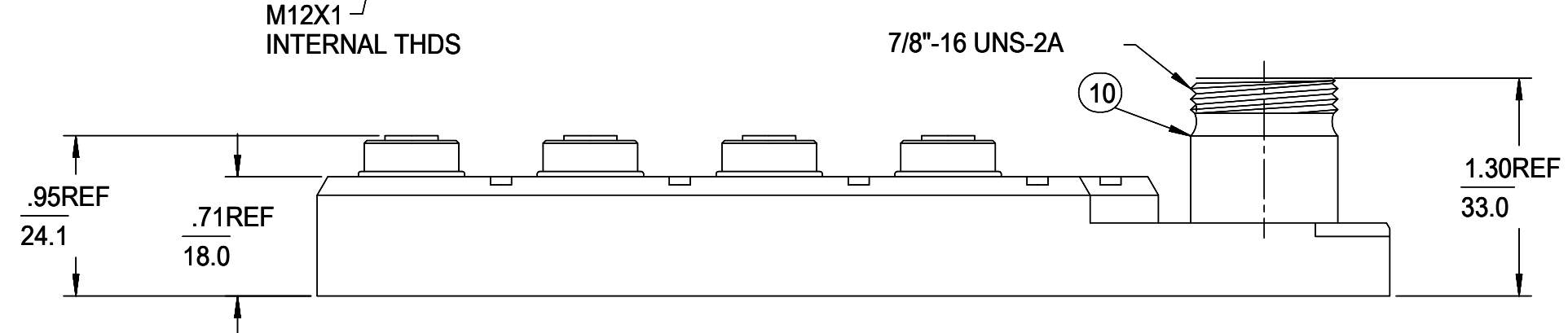
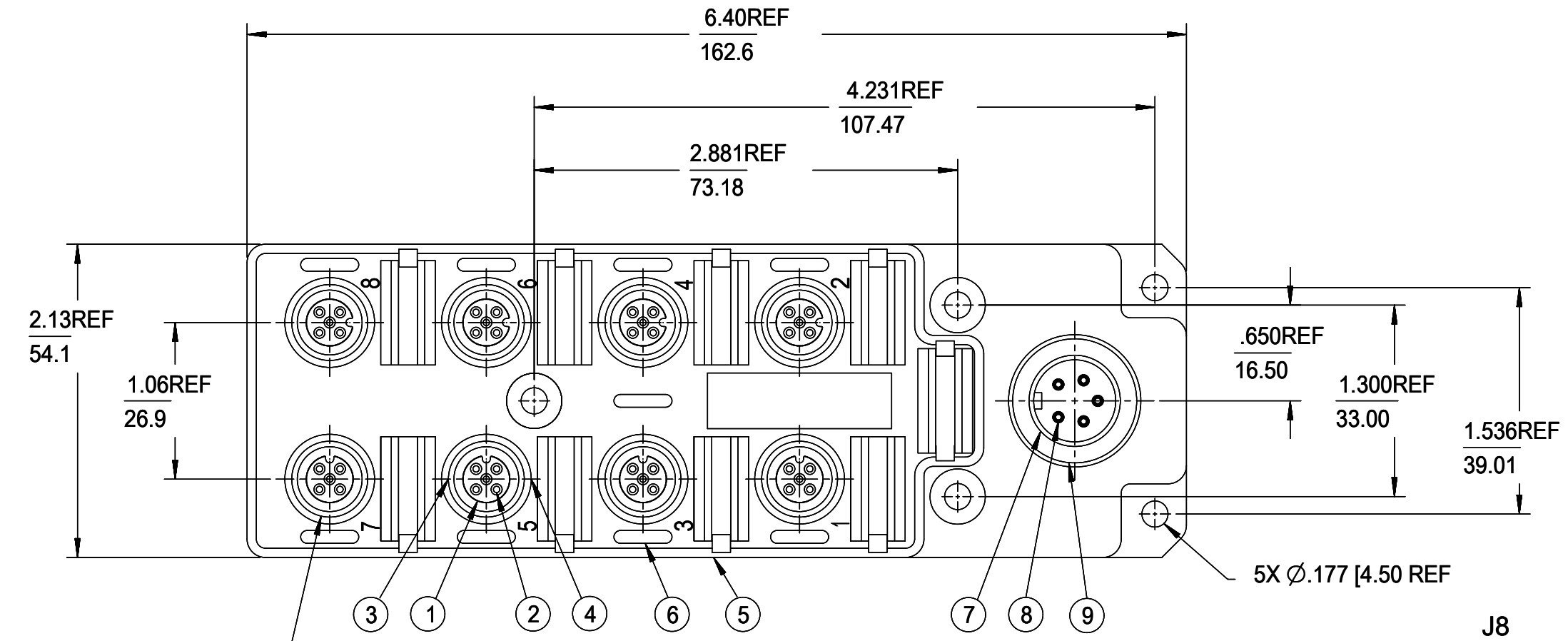
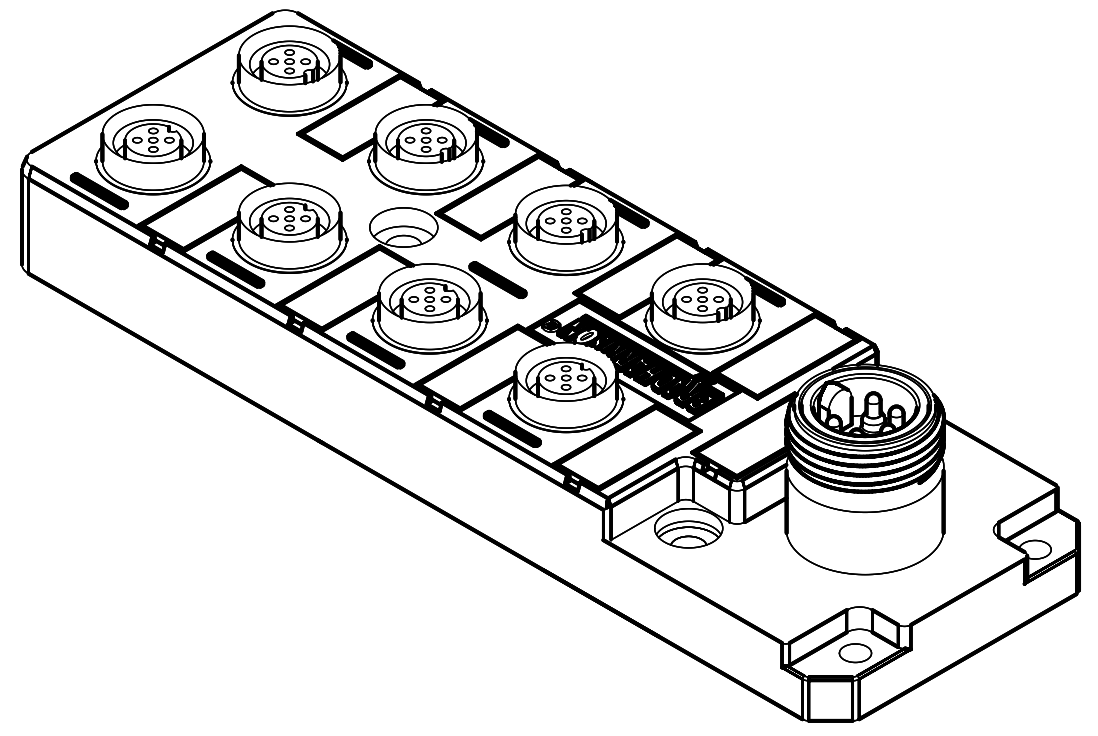
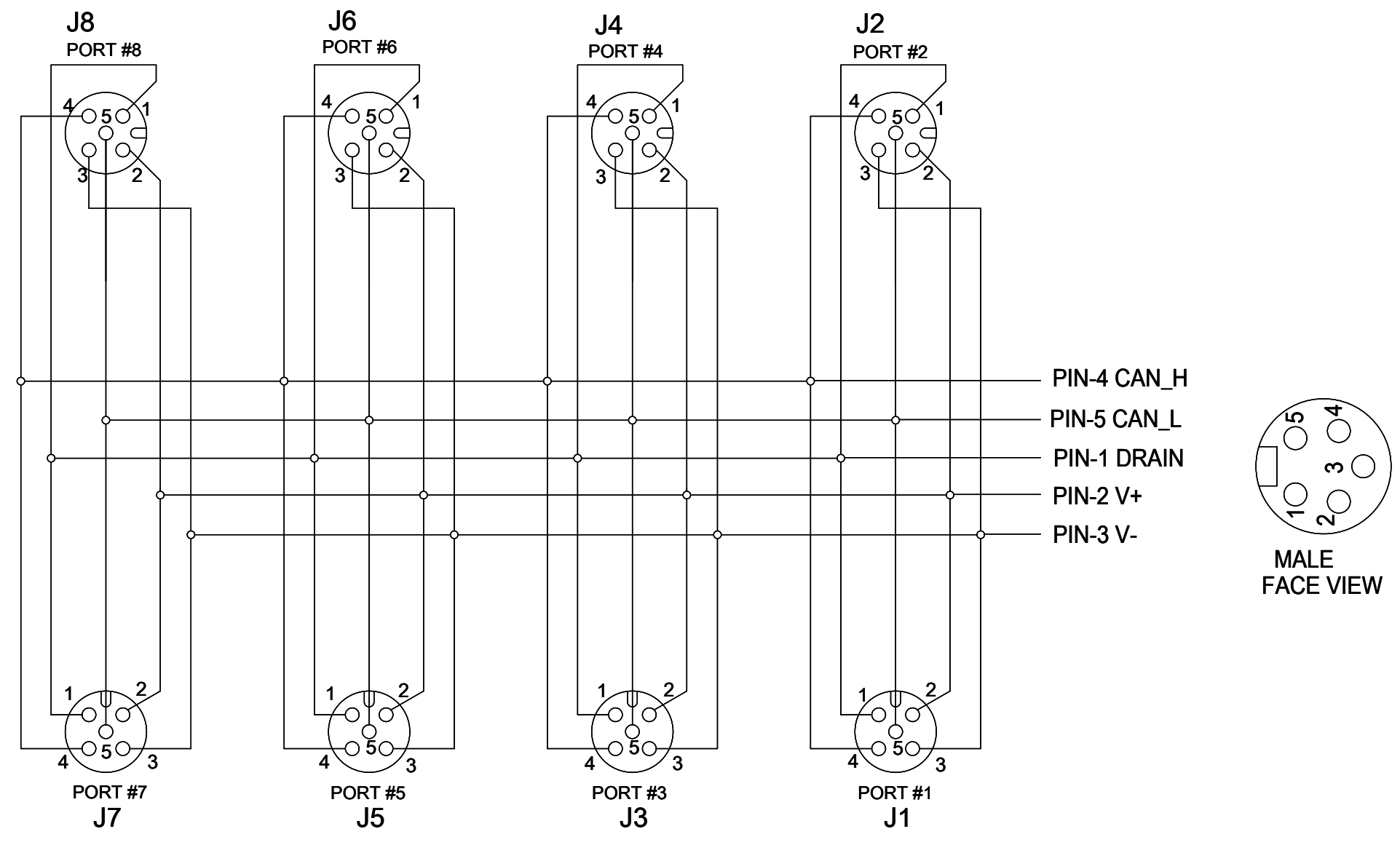


MATERIAL NUMBER	OLD PART NUMBER
1300370008	DND8200



VOLTAGE RATING	10-30 VDC
AMPERAGE RATING PER M12 PORT	4 AMPS
AMPERAGE RATING FOR MINI-CHANGE HOME RUN PORT PROTECTION	9 AMPS
OPERATING TEMPERATURE	-20°C TO 90°C

PRE-RELEASE
REFERENCE
USE ONLY



ITEM	COMPONENT	MATERIAL	FINISH
1	INSERT	NYLON	BLACK
2	CONTACT SOCKET	COPPER ALLOY	GOLD OVER NICKEL
3	O-RING	VITON	RED
4	RECEPTACLE SHELL	BRASS	NICKEL PLATED
5	HOUSING	PBT	GRAY
6	LENS	NYLON	GRAY
7	INSERT	RITREFLEX	GRAY
8	CONTACT PIN	COPPER ALLOY	GOLD OVER NICKEL
9	O-RING	VITON	BROWN
10	RECEPTACLE SHELL	BRASS	NICKEL PLATED

FUNCTIONAL SYMBOLS	THIS DRAWING CONTAINS INFORMATION THAT IS PROPRIETARY TO MOLEX ELECTRONIC TECHNOLOGIES, LLC AND SHOULD NOT BE USED WITHOUT WRITTEN PERMISSION		CURRENT REV DESC: UPDATE AMPERAGE TABLE	
FA = 0	DIMENSION UNITS	SCALE	EC NO: 643920	
EA = 0	INCH/MM	1:1	DRWN: CCHRSTKA	2020/08/24
EP = 0	GENERAL TOLERANCES (UNLESS SPECIFIED)		CHK'D: MZIELINSKI	2020/08/26
	ANGULAR TOL ± 0.5°		APPR: BWOODMAN	2020/08/27
DIVISIONAL SYMBOLS	4 PLACES ±		INITIAL REVISION:	
	3 PLACES ±		DRWN: BRUPERT	2010/01/25
	2 PLACES ±		APPR: JFMURPHY	2010/01/25
	1 PLACE ±		SERIES	
	0 PLACES ±		C-SIZE	130037
DRAFT WHERE APPLICABLE MUST REMAIN WITHIN DIMENSIONS		THIRD ANGLE PROJECTION	DRAWING	SHEET NUMBER
			SEE TABLE	1 OF 1

TOP MOUNT 8 OUTLET DEV-NET

PRODUCT CUSTOMER DRAWING

DOCUMENT NUMBER: SD-130037-004 DOC TYPE: PSD DOC PART: 001 REVISION: B

MATERIAL NUMBER: SEE TABLE CUSTOMER: GENERAL MARKET