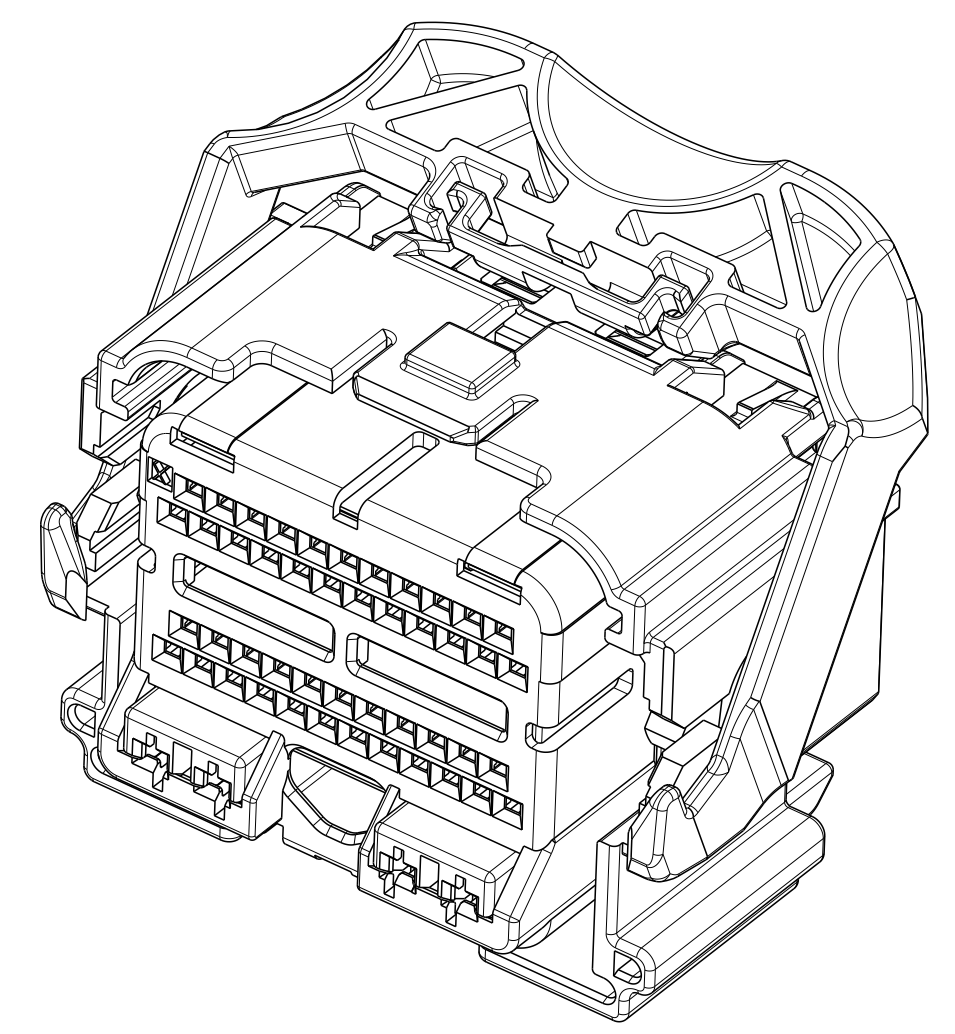
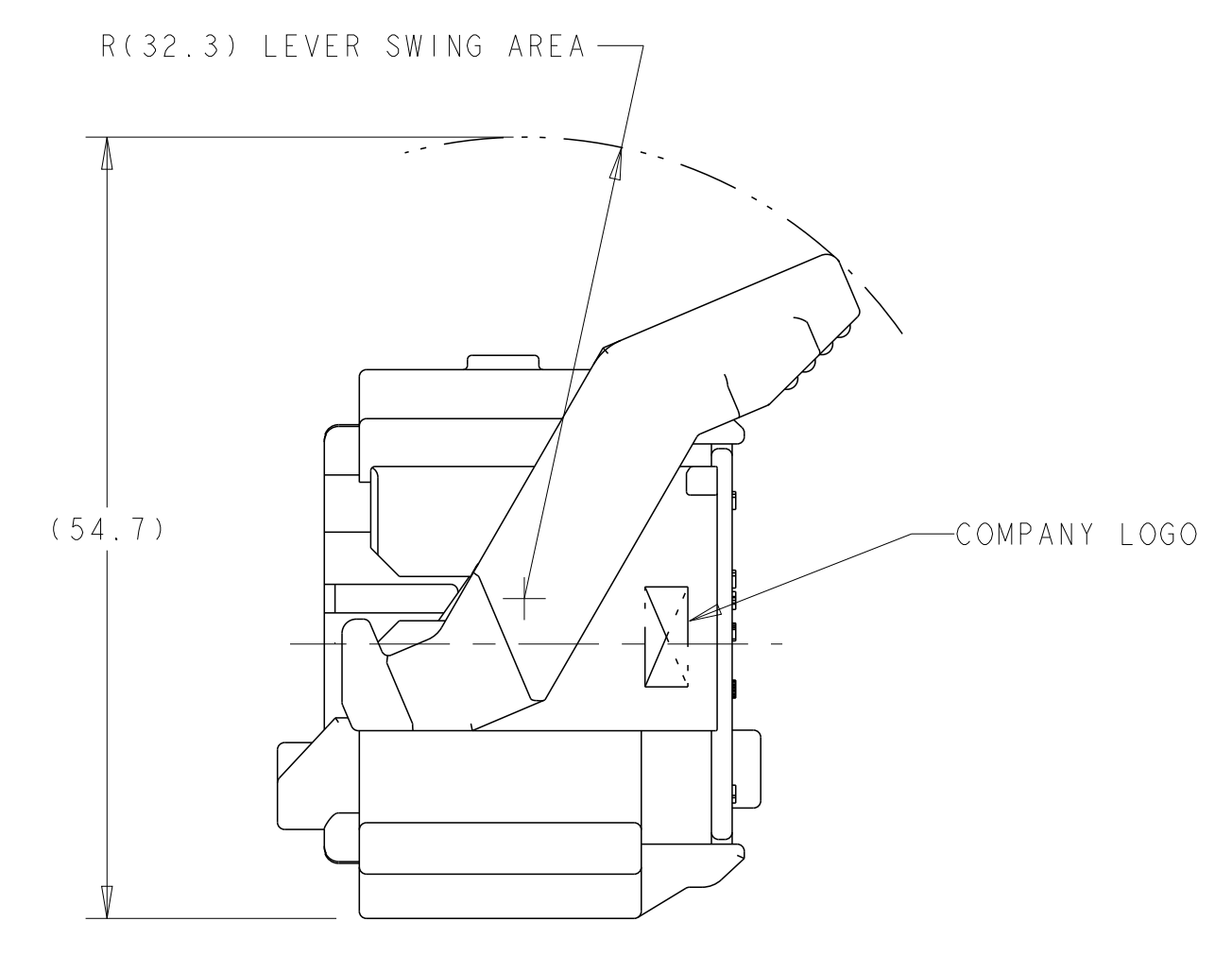
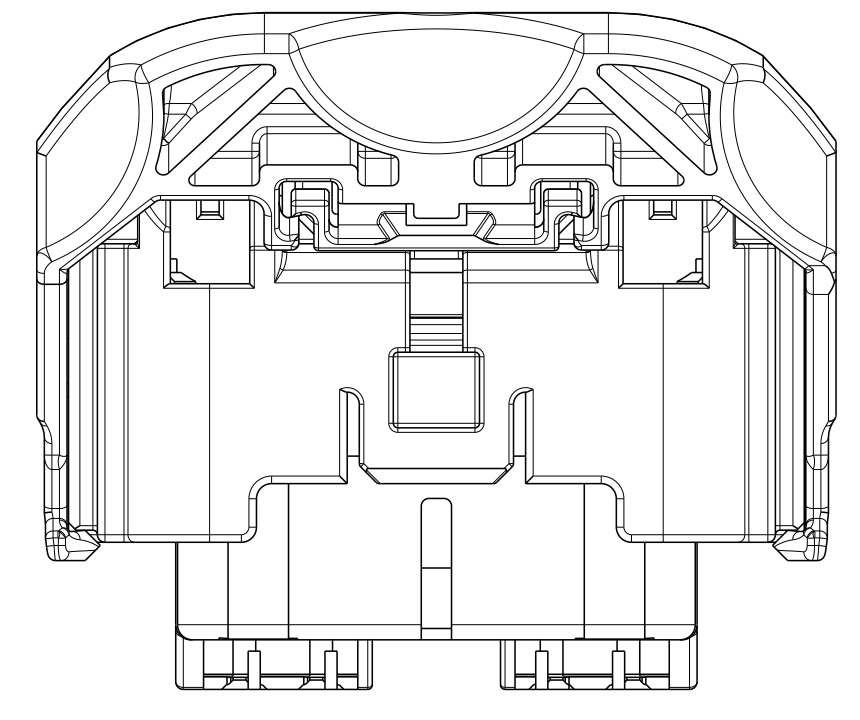


REVISIONS					
P	LTN	DESCRIPTION	DATE	DWN	APVD
A15		REVISED PER ECO-11-002569	25FEB2011	DLD	DCM
A16		REVISED PER ECO-14-011102	22JUL2014	DLD	DCM
A17		REVISED PER ECO-20-012415	10SEP2020	AP	CM

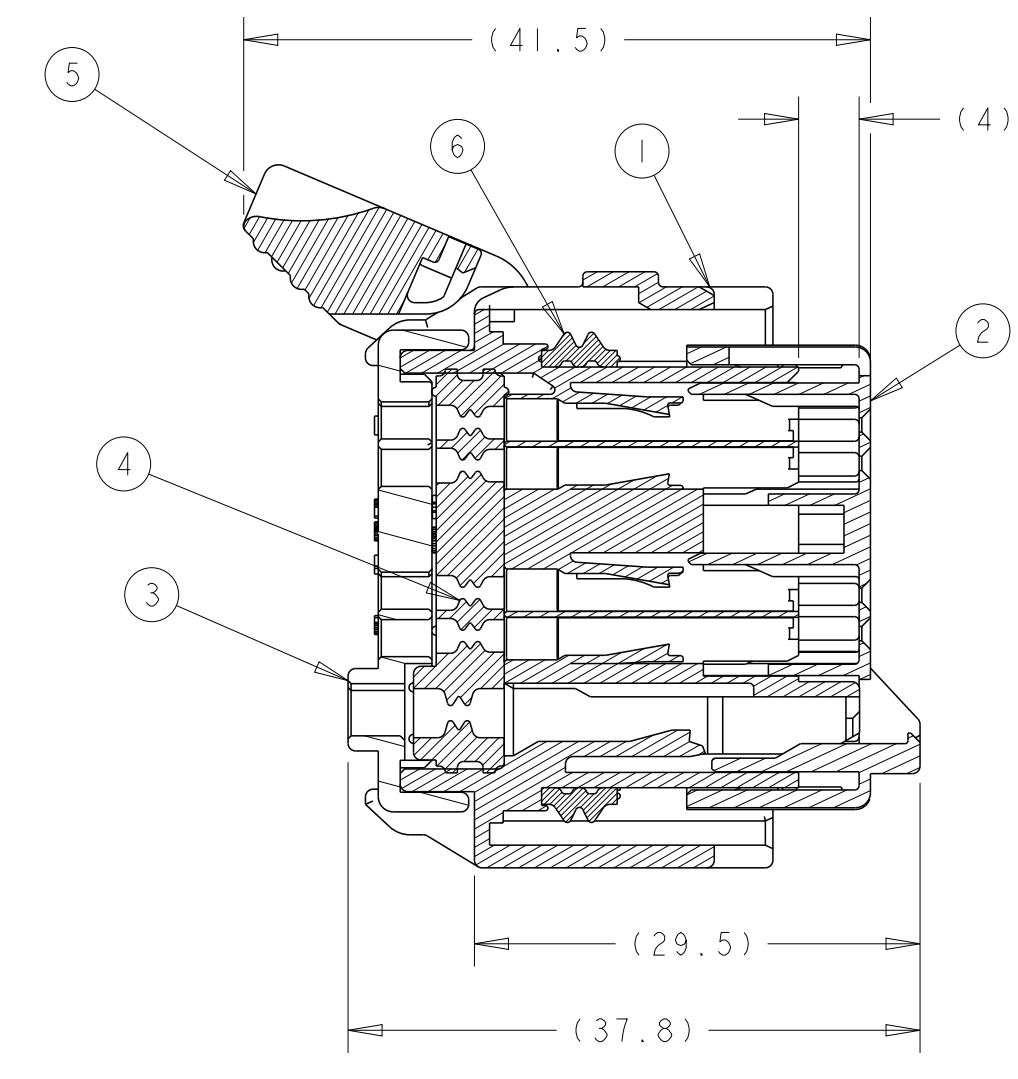


PART NUMBER:
1438691-1
SHOWN WITH SPACER
IN SEATED POSITION
SCALE 2:1

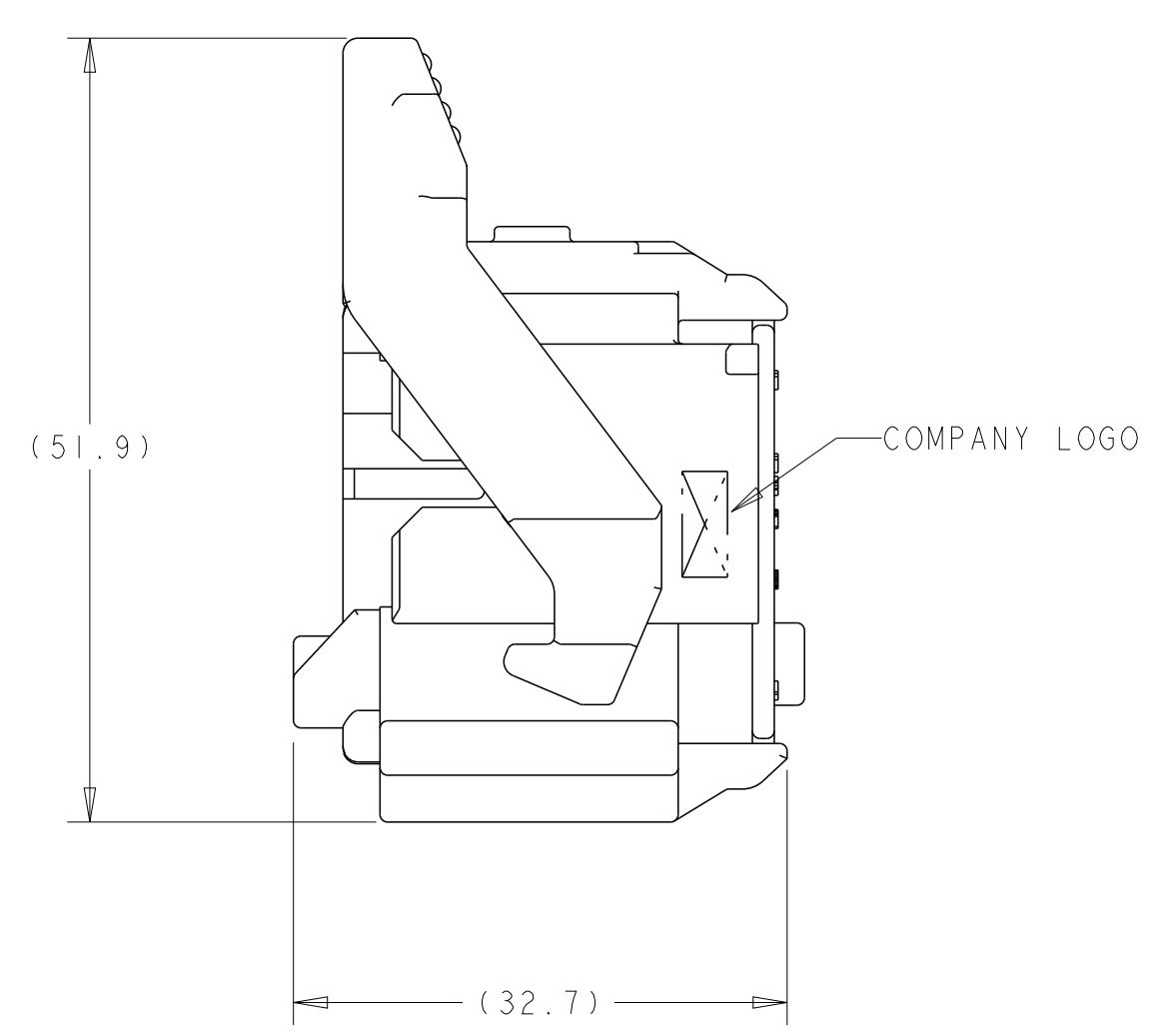
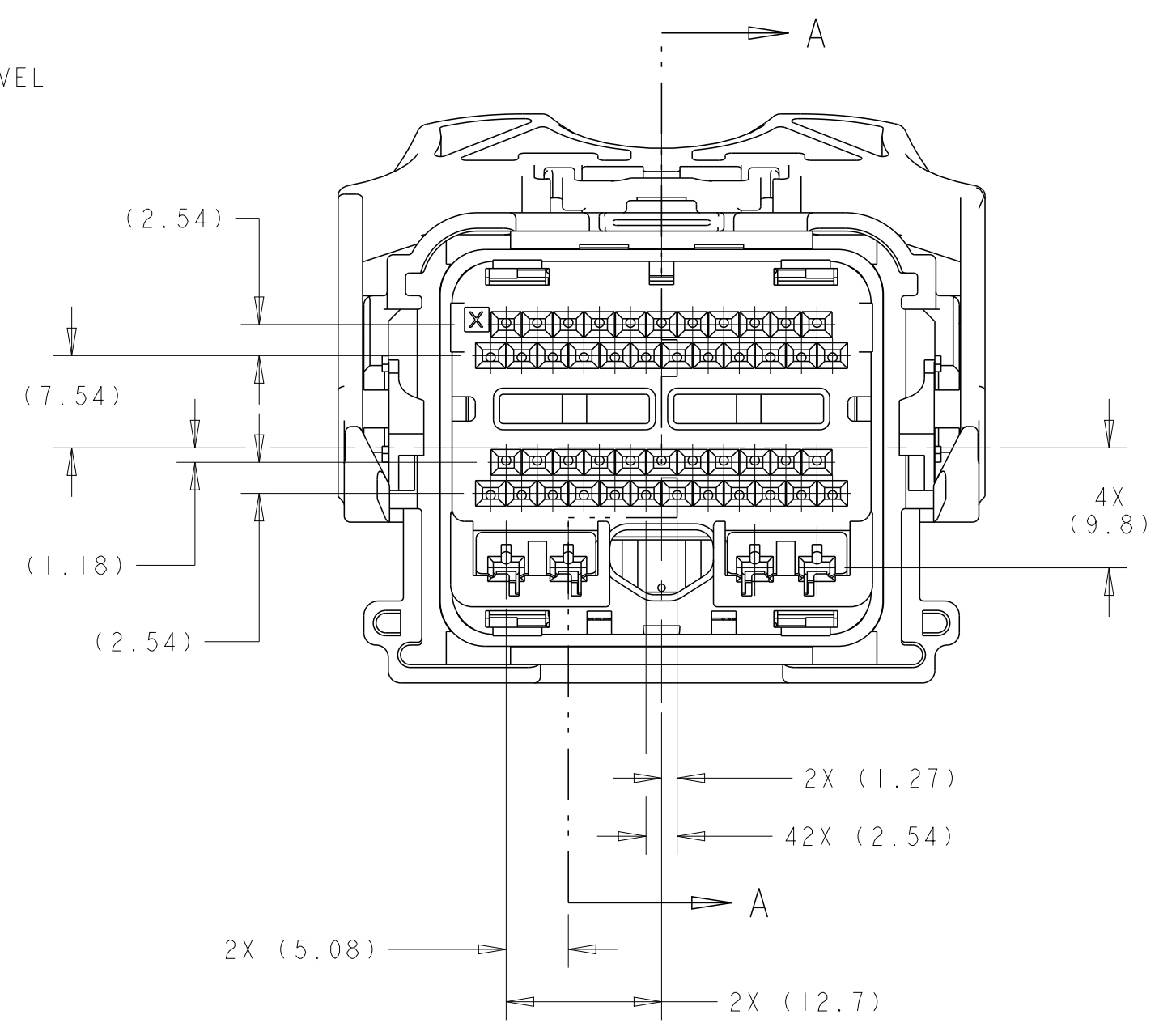


SHOWN WITH SPACER IN SEATED POSITION

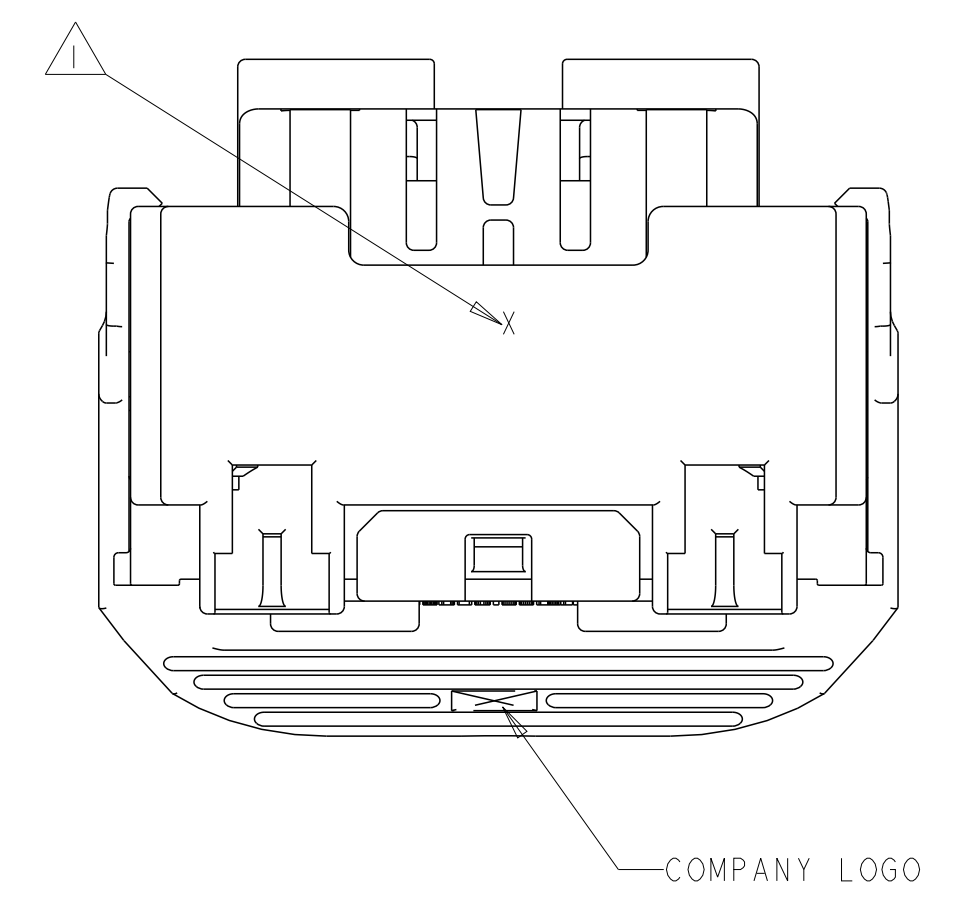
- △ PRINT TE PART NUMBER AND TRACEABILITY (YY : 2 DIGIT YEAR, JJJ = JULIAN DATE, HH = 2 DIGIT MILITARY HOUR CODE) IN THE LOCATION AT ASSEMBLY.
- △ OPTIONAL WIRE SHIELD PART NUMBERS (SOLD SEPARATELY) 1438126, 1438180, 1488373, AND 1488572. CONTACT TE ENGINEERING FOR MINIMUM FEED THRU CONDITION.
- 3. APPLICABLE TERMINAL PART NUMBERS (SOLD SEPARATELY) FOR TIN APPLICATIONS: 1393367 AND 1393366. FOR GOLD APPLICATIONS: 1393365 AND 1393364 FOR TERMINATION AND REELING OPTIONS SEE DRAWINGS 1393367, 1393366, 1393365, AND 1393364.
- 4. APPLICABLE MOLEX (1.5) POWER TERMINAL PART NUMBERS: 33012-0002 TIN 0.50-1.50mm²
- 5. CAM LEVER AND SPACER ARE SHIPPED IN THEIR PRE-ASSEMBLED POSITIONS.
- 6. REFERENCE TE INSTRUCTION SHEET 408-8893.
- △ OBSOLETE PART



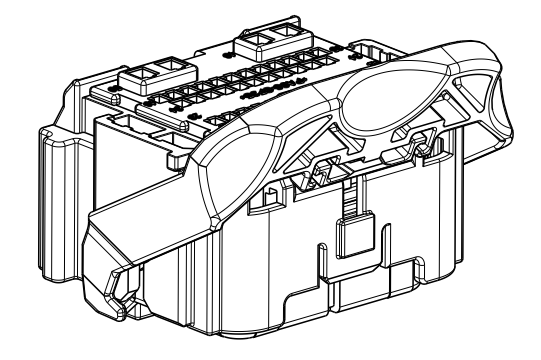
SECTION A-A
SPACER AND LEVER IN
PRE-SEATED POSITION
(DELIVERY CONDITION)



SHOWN WITH CAM
LEVER AND SPACER
IN LOADED POSITION



COMPANY LOGO



SCALE 1:1

GREEN	PERIMETER SEAL	6
GRAY	LEVER	5
BROWN	GROMMET SEAL	4
BLACK	COVER	3
RED	SPACER	2
BLACK	HARNESS, KEY "A"	1
PART COLOR	DESCRIPTION	ITEM NO.

THIS DRAWING IS A CONTROLLED DOCUMENT.

DIMENSIONS:	TOLERANCES UNLESS OTHERWISE SPECIFIED:	DWN B. CRISAMORE 21 JUL 2004	NAME
mm	0 PLC ±	CHK M. HITCHCOCK 21 JUL 2004	ASSEMBLY, 50-WAY, KEY A, PCM HARNESS
	1 PLC ±0.3	APVD C. MARTIN 21 JUL 2004	SIZE CAGE CODE DRAWING NO RESTRICTED TO
	2 PLC ±0.10		A 100779 C=1438691
	3 PLC ±		SCALE 2:1 SHEET 1 OF 4 REV A17
	4 PLC ±		
	ANGLES ±1°		
MATERIAL	FINISH	WEIGHT	Customer Drawing

THIS DRAWING IS UNPUBLISHED. RELEASED FOR PUBLICATION 20
 © COPYRIGHT 20 BY - ALL RIGHTS RESERVED.

REVISIONS				
P	LTN	DESCRIPTION	DATE	APP'D
-	-	SEE SHEET 1	-	-

		46	45	44	43	41	39	38	37	36	35	33	32	31	29	28	23	22	21	19	18	13	6	5	3	2	1	
																												6-1438691-8
																												6-1438691-7
																												6-1438691-6
																												6-1438691-5
																												6-1438691-4
																												6-1438691-3
																												6-1438691-2
																												6-1438691-1
																												6-1438691-0
																												5-1438691-9
																												5-1438691-8
																												5-1438691-7
																												5-1438691-6
																												5-1438691-5
																												5-1438691-4
																												5-1438691-3
																												5-1438691-2
																												5-1438691-1
																												5-1438691-0
																												4-1438691-9
																												4-1438691-8
																												4-1438691-7
																												4-1438691-6
																												4-1438691-5
																												4-1438691-4
																												4-1438691-3
																												4-1438691-2
																												4-1438691-1
																												4-1438691-0
																												3-1438691-9
																												3-1438691-8
																												3-1438691-7
																												3-1438691-6
																												3-1438691-5
																												3-1438691-4
																												3-1438691-3
																												3-1438691-2
																												3-1438691-1
																												2-1438691-9
																												2-1438691-8
																												2-1438691-7
																												2-1438691-6
																												2-1438691-5
																												2-1438691-4
																												2-1438691-3
																												2-1438691-2
																												2-1438691-1
																												2-1438691-0
																												1-1438691-9
																												1-1438691-8
																												1-1438691-7
																												1438691-8
																												1438691-7
																												1438691-6
																												1438691-5
																												1438691-4
																												1438691-3
																												1438691-2
																												1438691-1
																												ASSEMBLY PART NUMBER


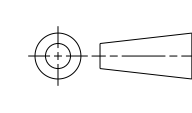
KEYING OPTION A

CAVITIES WITH A NUMERIC SYMBOL INDICATES CLOSED TERMINAL LOCATIONS

BLANK CAVITIES INDICATES OPEN TERMINAL HOLE LOCATIONS

TERMINAL HOLE POSITION

PIN-OUT CHART

THIS DRAWING IS A CONTROLLED DOCUMENT.		OWN: B. CRISAMORE 21 JUL 2004	 TE Connectivity ASSEMBLY, 50-WAY, KEY A, PCM HARNESS
DIMENSIONS: mm		CHK: M. HITCHCOCK 21 JUL 2004	
 0 PLC ±.3 1 PLC ±0.10 2 PLC ±.15 3 PLC ±.20 4 PLC ±.25 ANGLES ±.1° FINISH		APVD: C. MARTIN 21 JUL 2004	NAME: PRODUCT SPEC
MATERIAL: -		WEIGHT: -	APPLICATION SPEC: -
Customer Drawing		SCALE: 2:1	RESTRICTED TO: -
A100779		C=1438691	SHEET 3 OF 4

