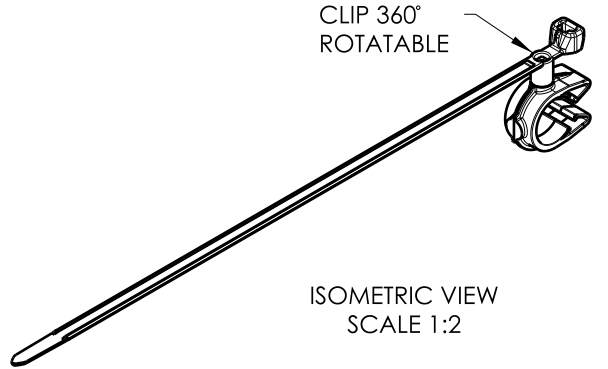
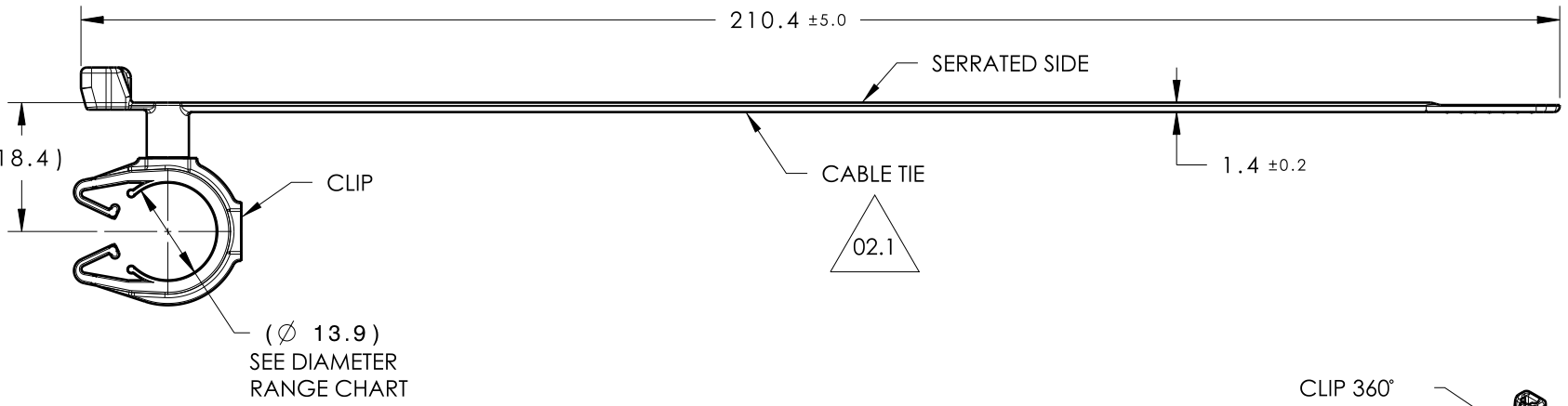
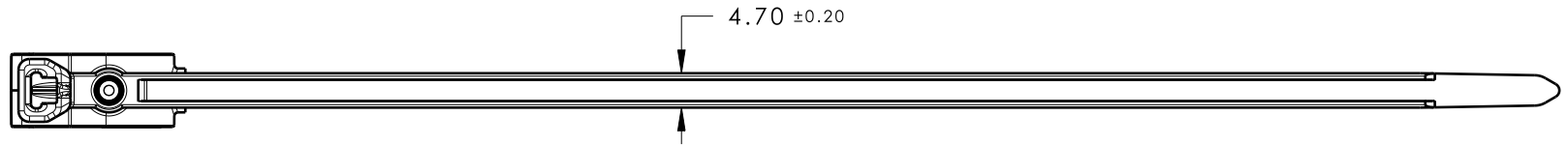


Revision Level			Revision Record	Changed	Date	Approved	Date
Drawing	State	Part					
02.1	Design Release		SEE ECN# 014531	TAT	7/17/18	EJH	7/17/18



TYPE	SUGGESTED DIAMETER RANGE*
HARNESS	13.0MM - 15.0MM
HOSE	13.0MM - 15.0MM
HARD PIPE/TUBE	14.0MM - 15.8MM

*RECOMMENDED SIZES MAY DIFFER DEPENDING ON THE APPLICATION, PRODUCT REQUIREMENTS AND MATERIALS USED

**PATENT PENDING 29/582,271

GLOBAL PART DESCRIPTION	BUNDLE RANGE	CABLE TIE			CLIP**			
		DRAWING	MATERIAL	COLOR	DRAWING	MATERIAL	COLOR	
T50SMVCMOC14M-PA66HIRHSUV-BK	2 TO 50	14-0606-012-CSU	PA66HIRHSUV	BLACK	16-0320-000-CSU	PA66HIRHSUV	BLACK	
Material SEE CHART COLOR: SEE CHART	Units millimeters Tolerance defined on each dimension	The copyright of this drawing is reserved by HellermannTyton. It is issued on condition that it is not reproduced, copied or disclosed to a third party, either wholly or in part, without the consent of HellermannTyton.	Drawn	TAT	4/13/17	Article/Type-No T50SMVCMOC14M		Scale 1:1
			Approved	EJH	4/13/17	Title T50SMVC CABLE TIE COUPLED TO 14MM MOC		Project Number 16-0320
			HellermannTyton			Drawing-No PRODUCTION : Phase		Format AH
			North America Email: corp@htamericas.com Web: www.hellermann.tyton.com			16-0320-302-CSU		Sheet 1/1