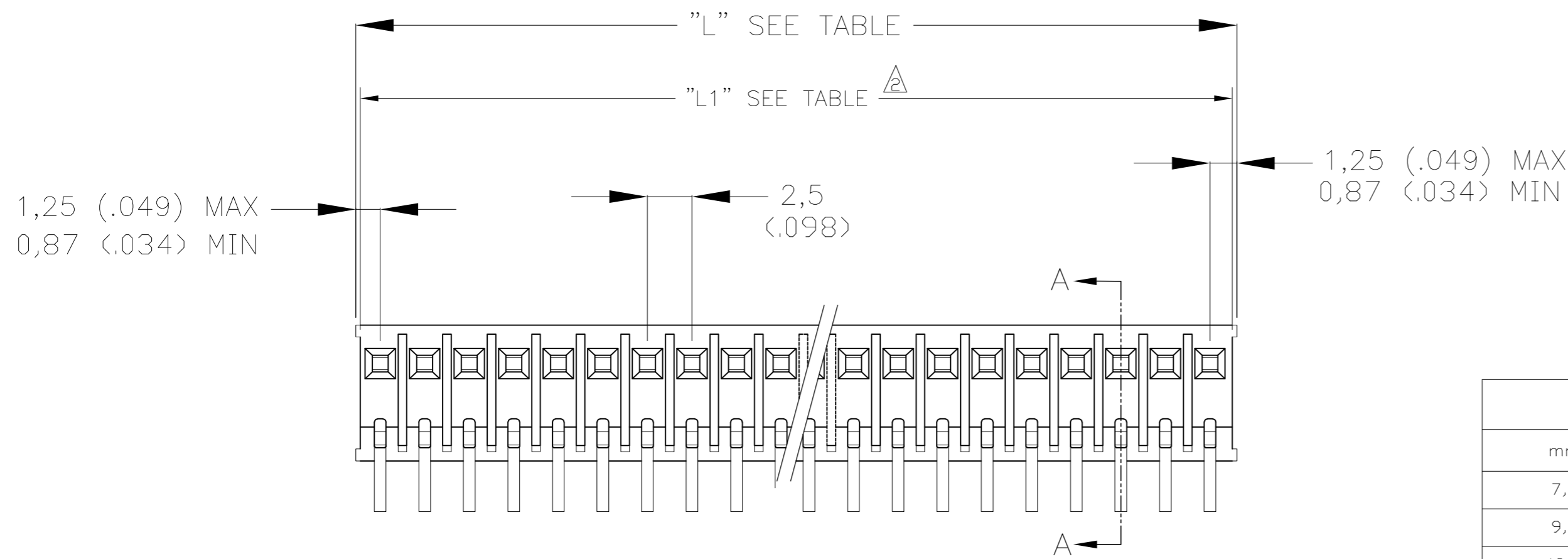


THIS DRAWING IS UNPUBLISHED. RELEASED FOR PUBLICATION
 © COPYRIGHT - By - ALL RIGHTS RESERVED.

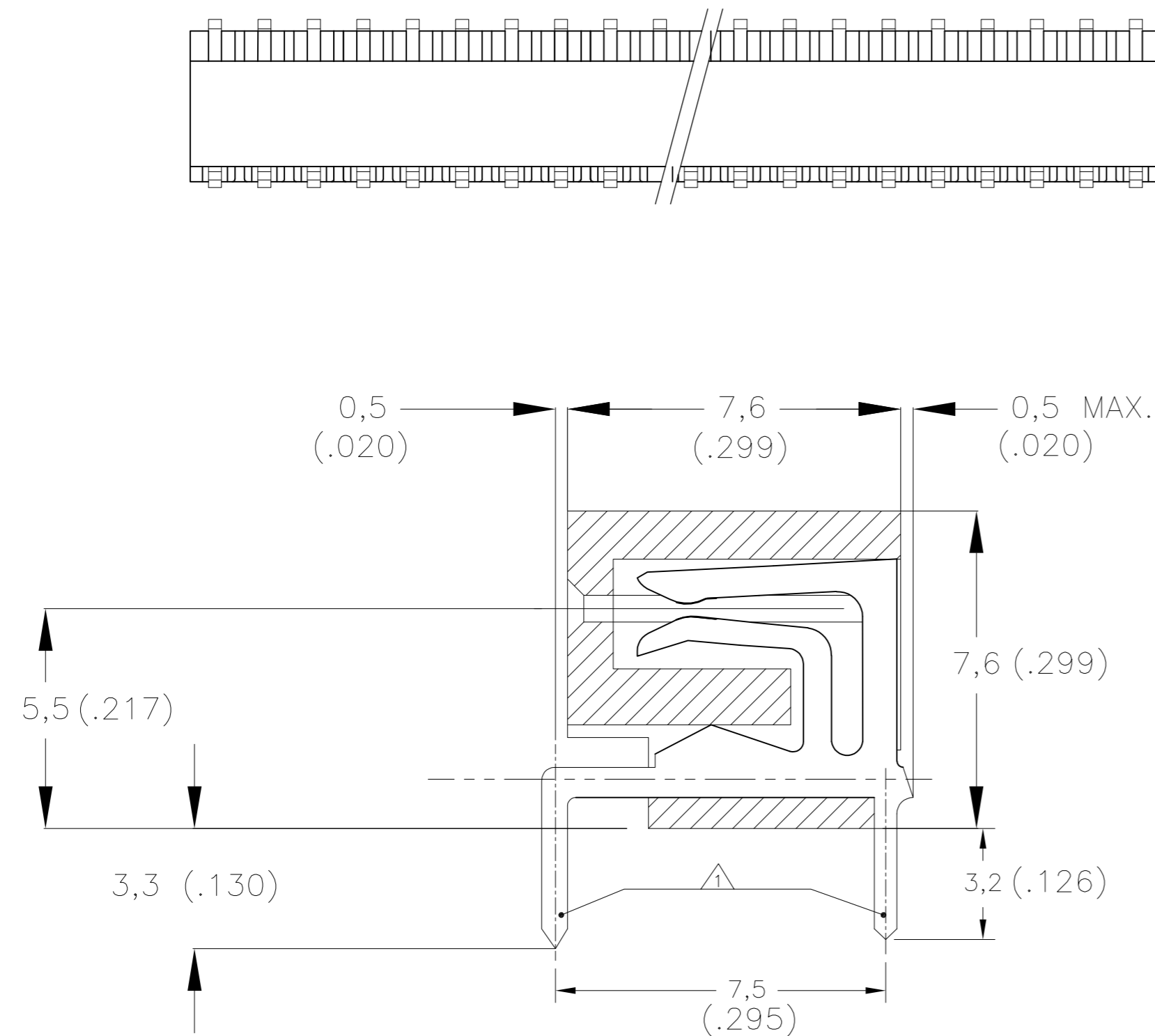
LOC	DIST	REVISIONS			
P	LTR	DESCRIPTION	DATE	DWN	APVD
H	-	H1 PART STATUS UPDATED	05OCT2021	SCB	SS



NOTES:

- 1. PREFERRED HOLE SIZE: 0,8 (+0,1/-0,0) (.031) 0,9 (+0,1/-0,0) (.035) 1,0 (+0,1/-0,0) (.039) DEPENDING ON NUMBER OF POSITIONS OF CONNECTOR FOR MORE INFORMATION PLEASE CONTACT PRODUT-ENGINEERING DEPARTMENT.
- 2. ONLY FOR USE WITH G.M.T.S HEADERS
- 3. OBSOLETE

"L1" MAX. 2		"L" MAX		NUMBER OF LOADED POS.	ORDER NO.
mm	(inches)	mm	(inches)		
7,3	0,287	7,6	0,300	3	163683-1
9,8	0,386	10,1	0,398	4	163683-2 3
12,3	0,484	12,6	0,497	5	163683-3 3
14,8	0,582	15,1	0,595	6	163683-4
17,3	0,681	17,6	0,694	7	163683-5 3
19,8	0,779	20,1	0,792	8	163683-6 3
22,3	0,878	22,6	0,890	9	163683-7 3
24,3	0,976	25,1	0,989	1	163683-8
27,8	1,075	27,6	1,087	11	163683-9 3
29,8	1,173	30,1	1,186	12	163683-1 3
32,3	1,271	32,6	1,284	13	163683-2 3
34,8	1,370	35,1	1,382	14	163683-3 3
37,3	1,468	37,6	1,481	15	163683-4 3
39,8	1,567	40,1	1,579	16	163683-5 3
42,3	1,665	42,6	1,678	17	163683-6 3
44,8	1,764	45,1	1,776	18	163683-7 3
47,3	1,862	47,6	1,875	19	163683-8 3
49,8	1,960	50,1	1,973	20	163683-9 3
		52,6	2,071	21	163683-0 3
		55,1	2,170	22	163683-1 3
		57,6	2,268	23	163683-2 3
		60,1	2,367	24	163683-3 3



SECTION A-A

MATERIAL: HOUSING: GRAY CRASTIN SK643FR
 RECEPTACLES: BRASS; TINPLATED OVER NICKEL-BARRIER

THIS DRAWING IS A CONTROLLED DOCUMENT.		DWN	16-03-1973	 TE Connectivity FEMALE CONN.FOR COMMERCIAL INTERCONNECTION SYSTEM 2,5mm PITCH. SIDE ENTRY
DIMENSIONS: mm [INCHES]		CHK	19-03-1973	
TOLERANCES UNLESS OTHERWISE SPECIFIED:		APVD	-	
0 PLC ± - 1 PLC ± 0.2 2 PLC ± 0.1 3 PLC ± - 4 PLC ± - ANGLES ± - FINISH -		PRODUCT SPEC	-	
MATERIAL: SEE TABLE		APPLICATION SPEC	-	NAME: FEMALE CONN.FOR COMMERCIAL INTERCONNECTION SYSTEM 2,5mm PITCH. SIDE ENTRY
		WEIGHT	-	SIZE: A2
		CUSTOMER DRAWING	-	CAGE CODE: 00779
		SCALE: 4:1	SHEET: 1 of 1	DRAWING NO: C=163683
		REV: H1		RESTRICTED TO: -

163683