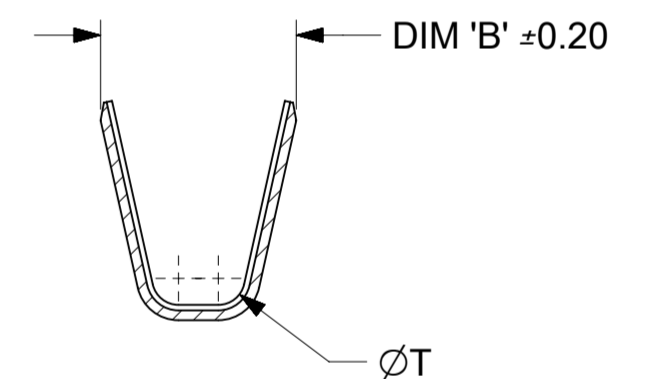
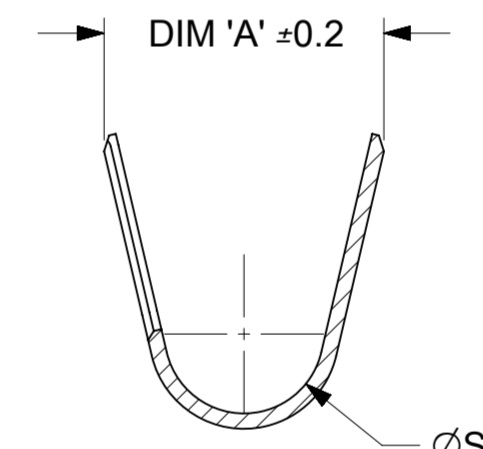
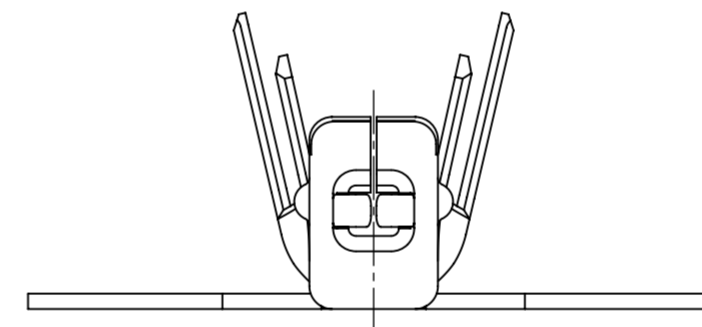
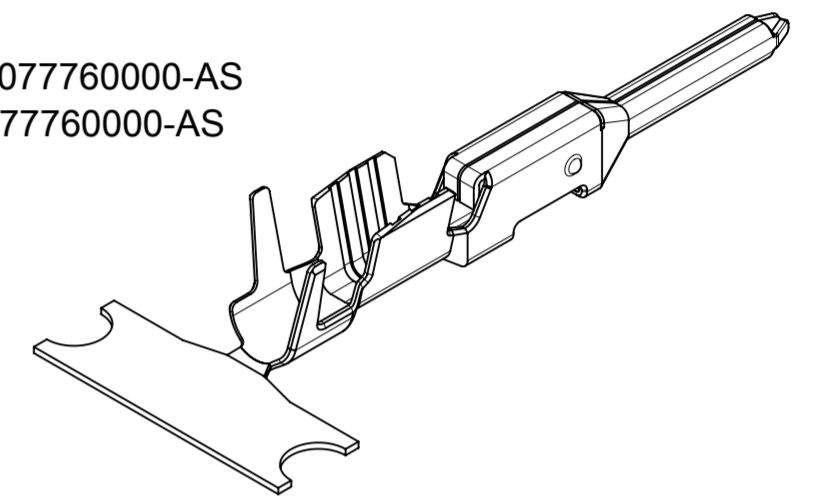


NOTES:

1. MATERIAL: COPPER ALLOY
2. PLATING: 100µin MIN. OVERALL MATTE TIN OVER  
50µin MIN. OVERALL MATTE NICKEL
3. PRODUCT SPECIFICATION: 2077760000-PS
4. APPLICATION SPECIFICATION: 2077760000-AS
5. PACKAGING: REEL PACK PER: 2077760000-PK
6. THIS CRIMP TERMINAL TO BE USED WITH ASSEMBLY SERIES 207778
7. THIS CRIMP TERMINAL MATES WITH RECEPTACLE CRIMP TERMINAL SERIES,
  - a. 2077760001 MATES WITH 2077770001
  - b. 2077760002 MATES WITH 2077770002
8. THIS PART CONFORMS TO CLASS 'B' REQUIREMENTS OF COSMETIC SPECIFICATION PS-45499-002
9. WIRE SPECIFICATION: SEE CHART.
10. CRIMP TOOLING:  
APPLICATION PART NUMBER: REFER 2077760000-AS  
HAND TOOL PART NUMBER: REFER 2077760000-AS



SECTION Z-Z

SECTION Y-Y

TERMINAL PART NO.	WIRE AWG	INSULATION DIA	A	B	S	T
2077760001	16AWG	1.9 - 2.4	3.7	2.6	2.1	0.7
2077760002	18-20AWG	1.46 - 2.1	2.7	2.0	1.6	0.6

THIS DRAWING CONTAINS INFORMATION THAT IS PROPRIETARY TO MOLEX ELECTRONIC TECHNOLOGIES, LLC AND SHOULD NOT BE USED WITHOUT WRITTEN PERMISSION

DIMENSION UNITS <b>mm</b>	SCALE <b>10:1</b>	CURRENT REV DESC:		<b>molex</b>				
GENERAL TOLERANCES (UNLESS SPECIFIED)		EC NO: 625539						PLUG CRIMP TERMINAL SQUBA 3.6
ANGULAR TOL ± °		DRWN: MUM 2019/08/19		PRODUCT CUSTOMER DRAWING				
4 PLACES ±		CHK'D: ARAJUGOVINDA 2019/10/11		DOCUMENT NUMBER				
3 PLACES ±		APPR: NCSR 2019/10/11		2077760000-SD		DOC TYPE	DOC PART	REVISION
2 PLACES ±		INITIAL REVISION:		PSD 000 B				
1 PLACE ± 0.2		DRWN: MUM 2019/01/31		MATERIAL NUMBER				
0 PLACES ±		APPR: NCSR 2019/07/03		CUSTOMER				
DRAFT WHERE APPLICABLE MUST REMAIN WITHIN DIMENSIONS	THIRD ANGLE PROJECTION	DRAWING	SERIES	SEE TABLE		GENERAL MARKET		SHEET NUMBER
		A2-SIZE	207776					1 OF 1