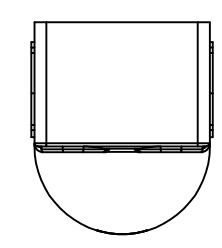
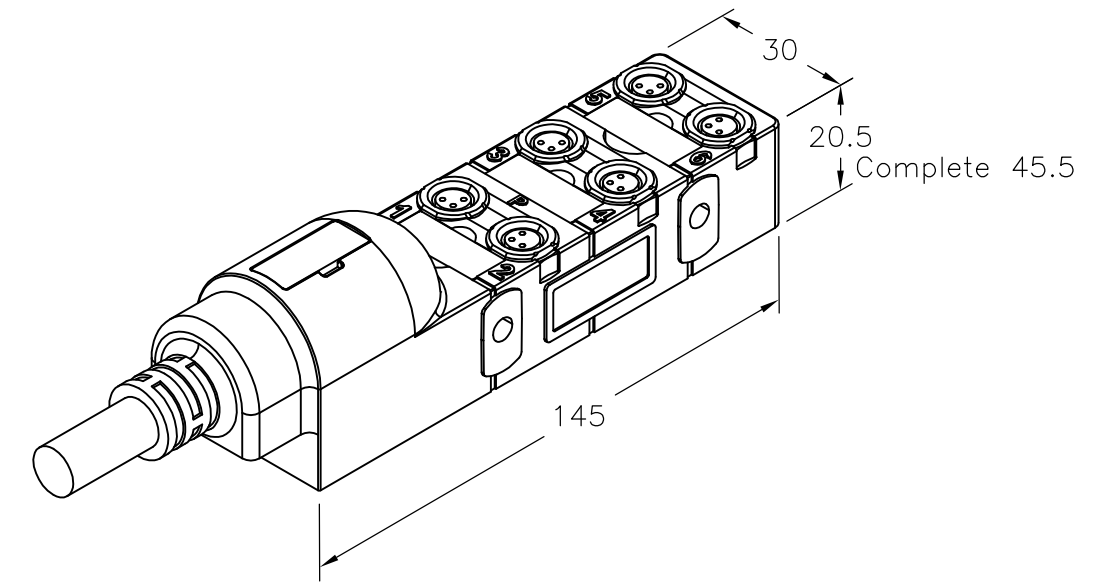
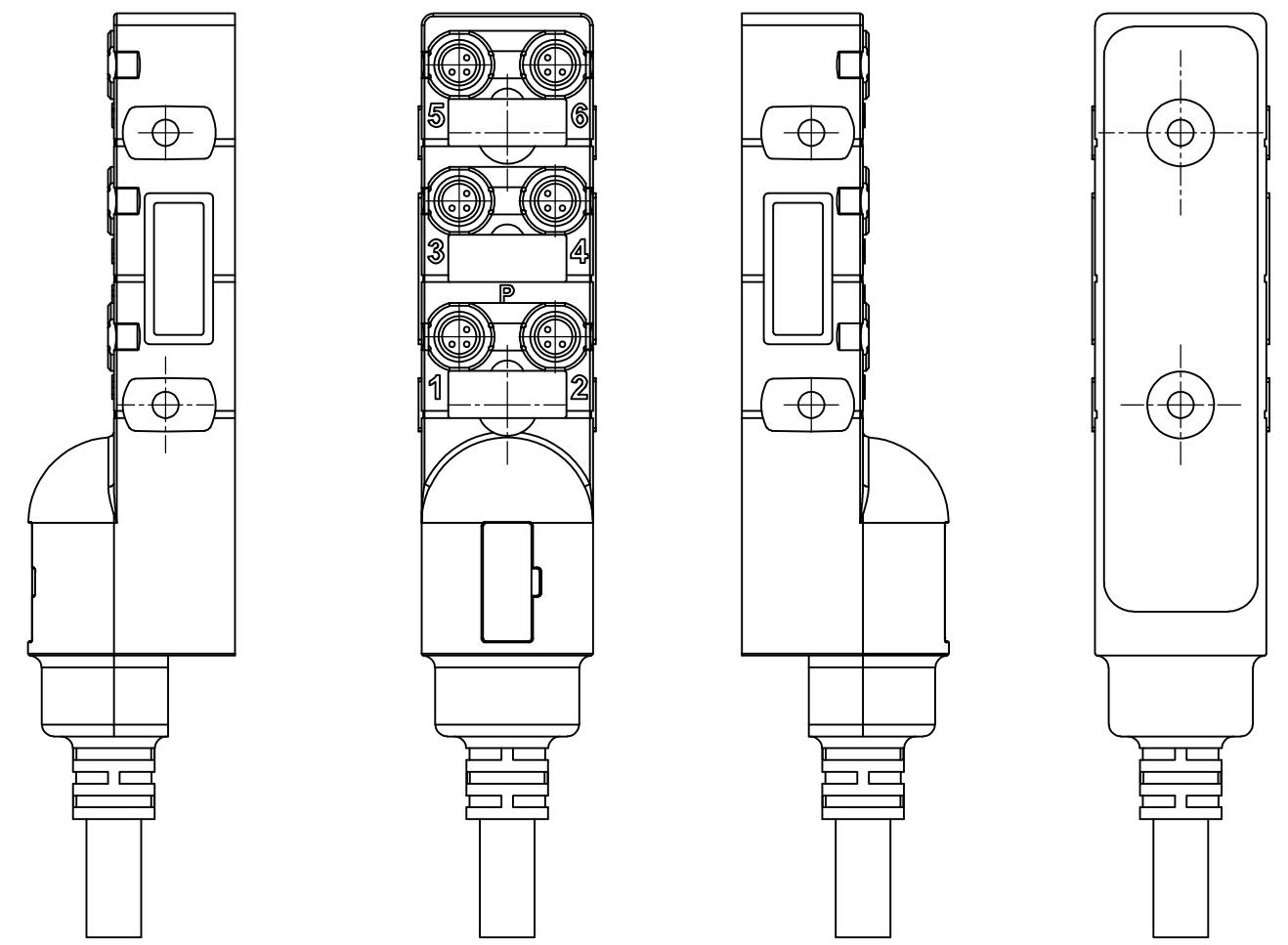
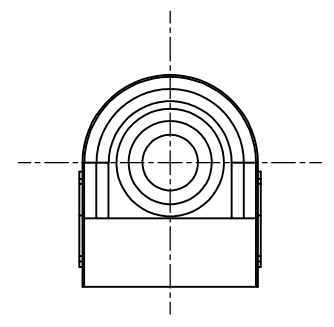



THIS DRAWING IS UNPUBLISHED. RELEASED FOR PUBLICATION
 © COPYRIGHT - By - ALL RIGHTS RESERVED.

LOC	DIST	REVISIONS					
H	-	P	LTR	DESCRIPTION	DATE	DWN	APVD
		A		INITIAL RELEASE	14JAN2014	GSK	BvH



PUR cable 10m	2273138-3
PUR cable 5m	2273138-2
PUR cable 3m	2273138-1
DESCRIPTION	TE PN

THIS DRAWING IS A CONTROLLED DOCUMENT.		DWN 14JAN2014 SATHISH KUMAR.G	 TE Connectivity														
DIMENSIONS: mm		CHK 14JAN2014 B.VELDHOVEN															
TOLERANCES UNLESS OTHERWISE SPECIFIED:		APVD 14JAN2014 A.VAN ZANDVOORT	NAME DISTR BOX M8 3POS 6WAY PNP														
<table border="1"> <tr><td>0 PLC</td><td>± -</td></tr> <tr><td>1 PLC</td><td>± -</td></tr> <tr><td>2 PLC</td><td>± -</td></tr> <tr><td>3 PLC</td><td>± -</td></tr> <tr><td>4 PLC</td><td>± -</td></tr> <tr><td>ANGLES</td><td>± -</td></tr> </table>		0 PLC	± -	1 PLC	± -	2 PLC	± -	3 PLC	± -	4 PLC	± -	ANGLES	± -	PRODUCT SPEC -	-		
0 PLC	± -																
1 PLC	± -																
2 PLC	± -																
3 PLC	± -																
4 PLC	± -																
ANGLES	± -																
MATERIAL -		FINISH -	APPLICATION SPEC -	-													
		WEIGHT -	SIZE A3	CAGE CODE 00779	DRAWING NO C-2273138	RESTRICTED TO -											
CUSTOMER DRAWING			SCALE NTS	SHEET 1 OF 2	REV A												

4

3

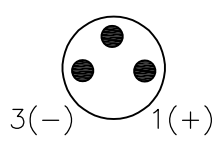
2

1

THIS DRAWING IS UNPUBLISHED. RELEASED FOR PUBLICATION
 © COPYRIGHT - By - ALL RIGHTS RESERVED.

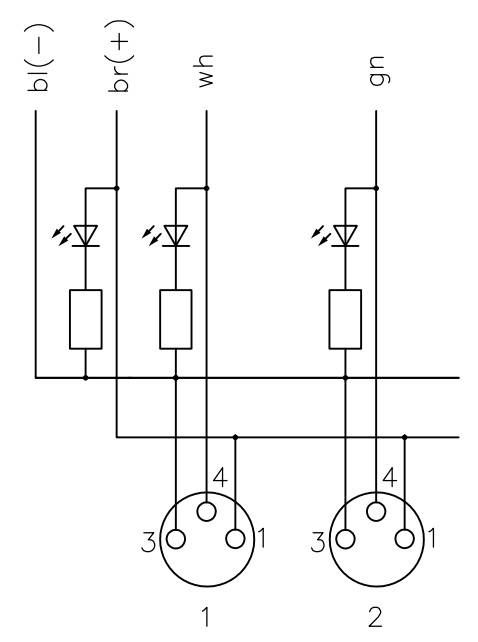
LOC	DIST	REVISIONS					
		P	LTR	DESCRIPTION	DATE	DWN	APVD
H	-	-	-	SEE SHEET 1	-	-	-

M8-Females 3-pole
4(N/O)

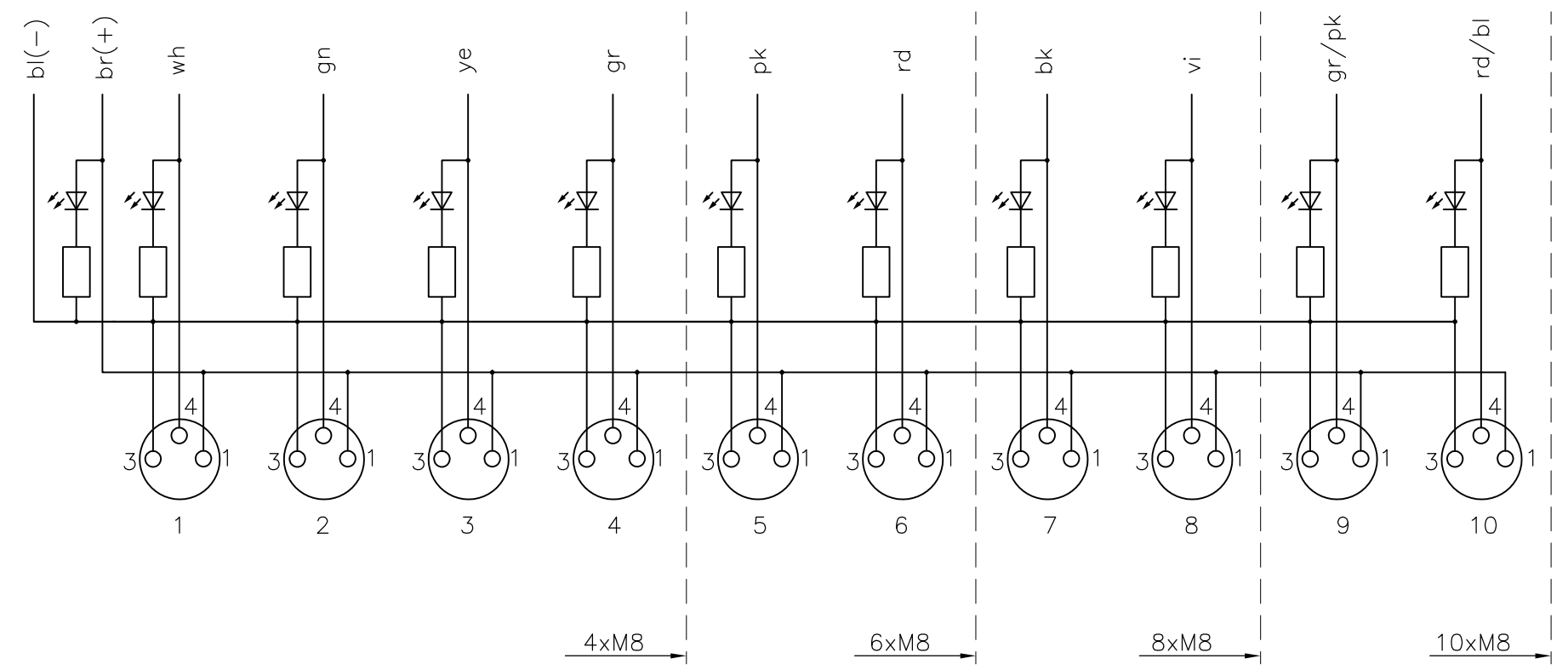



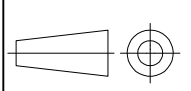
Contact Layout

Circuit diagram



for 1 Signal per port



THIS DRAWING IS A CONTROLLED DOCUMENT.		DWN 14JAN2014 SATHISH KUMAR.G	 TE Connectivity		
DIMENSIONS: mm		CHK 14JAN2014 B.VELDHOVEN			
TOLERANCES UNLESS OTHERWISE SPECIFIED:		APVD 14JAN2014 A.VAN ZANDVOORT	PRODUCT SPEC		RESTRICTED TO
		0 PLC ± -	APPLICATION SPEC		SIZE
MATERIAL		1 PLC ± -	WEIGHT		CAGE CODE
		2 PLC ± -	CUSTOMER DRAWING		DRAWING NO
		3 PLC ± -	SCALE		SHEET
		4 PLC ± -	NTS		2 OF 2
		ANGLES ± -	REV		A
		FINISH	A3		00779
			C=2273138		