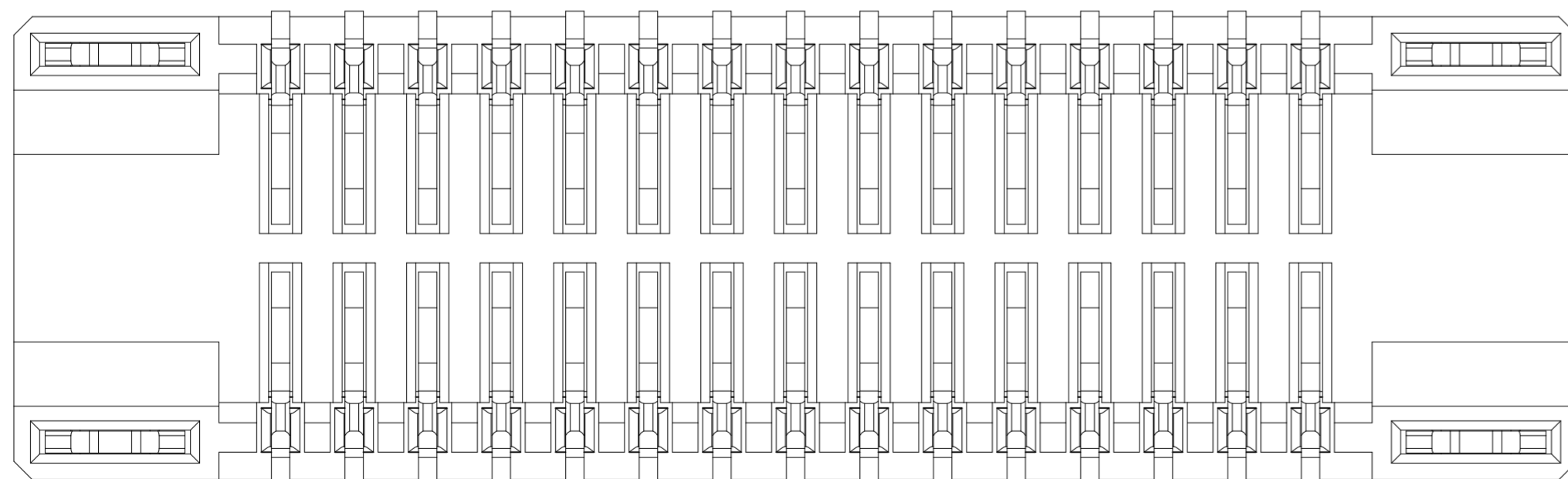
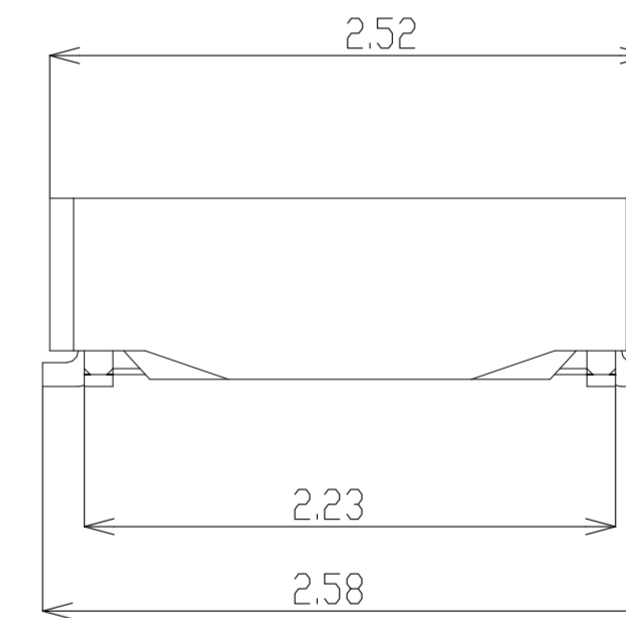
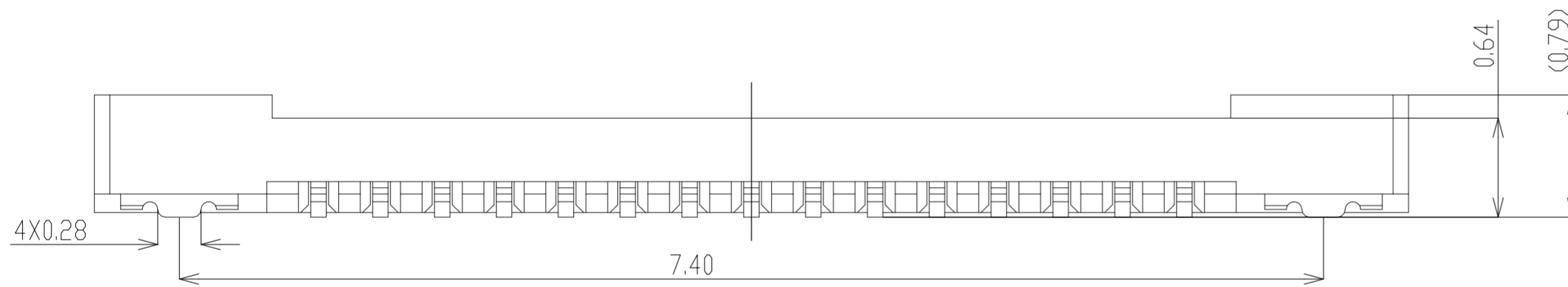
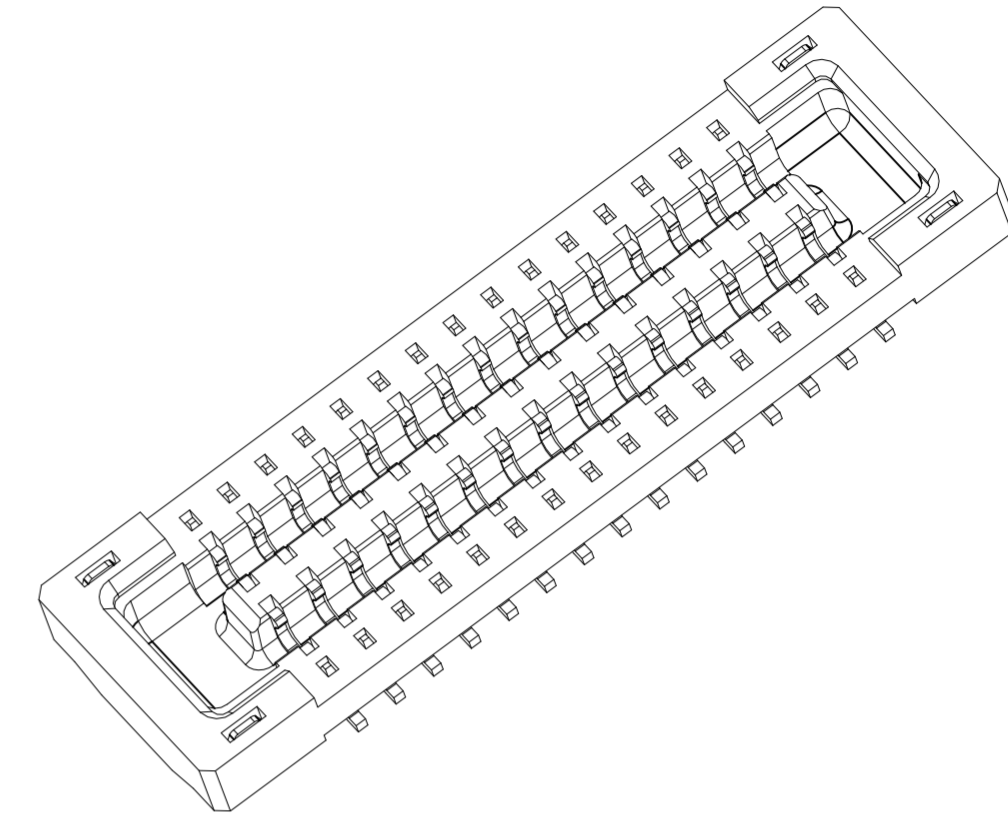
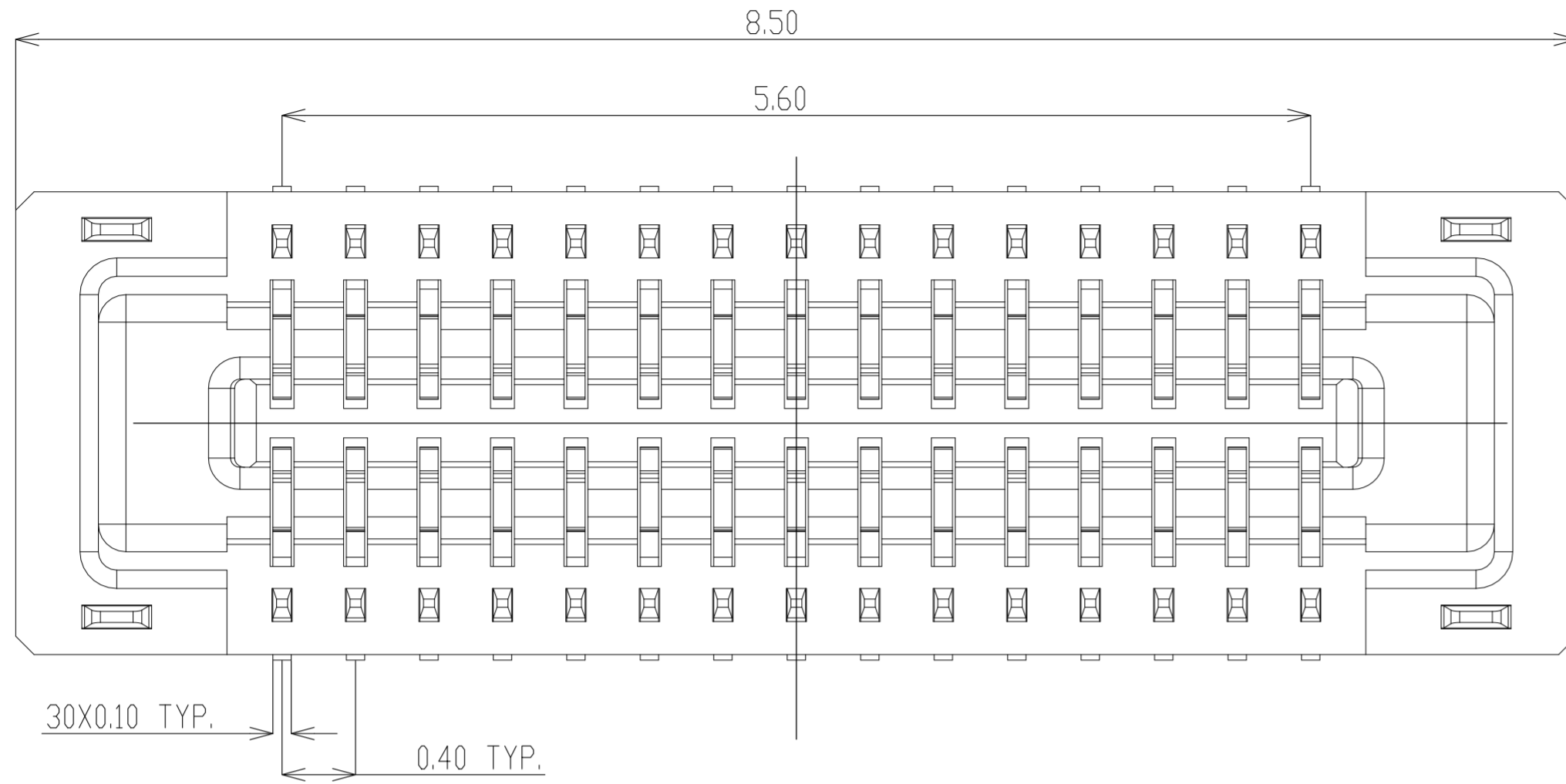


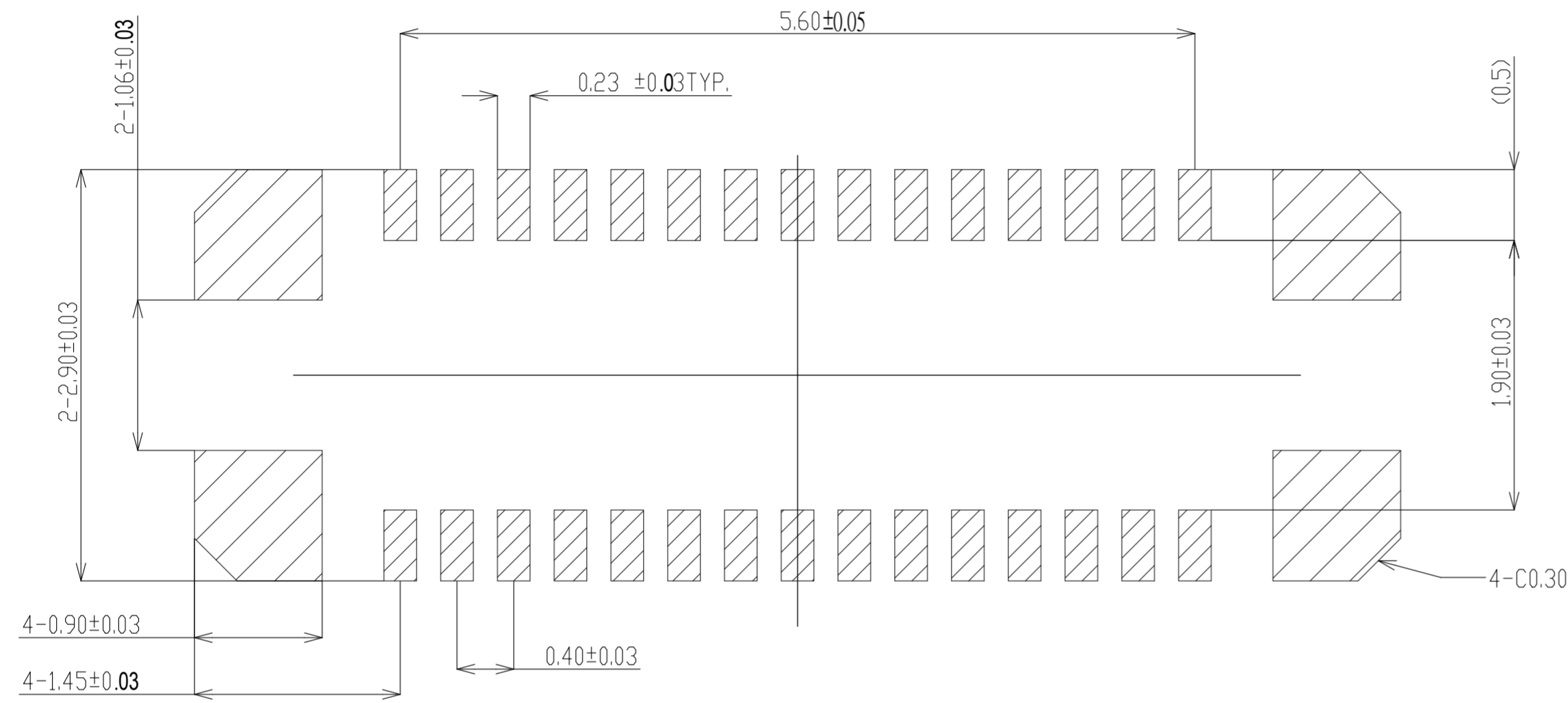
REVISIONS					
P	LTR	DESCRIPTION	DATE	DWN	APVD
A		FIRST RELEASED	13JUL2021	J.J	N.S



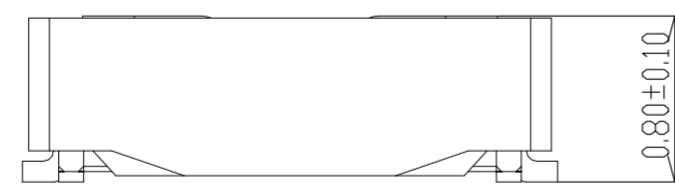
3-2363961-0
PART NUMBER

THIS DRAWING IS A CONTROLLED DOCUMENT.		DWN H.X	26SEP2019	TE Connectivity Ltd.	
		CHK W.H	26SEP2019		
DIMENSIONS: mm		TOLERANCES UNLESS OTHERWISE SPECIFIED:		NAME	
		0 PLC	± -	PRODUCT SPEC	
		1 PLC	± 0.3	108-115166	
		2 PLC	± 0.20	APPLICATION SPEC	
		3 PLC	± 0.15	-	
		4 PLC	± -	SIZE	
		ANGLES	± -	CAGE CODE	
MATERIAL		FINISH		DRAWING NO	
				A2 00779 C=2363961	
				RESTRICTED TO	
				-	
				SCALE	
				12:1	
				SHEET	
				1 of 6	
				REV	
				A	

P	LTR	DESCRIPTION	DATE	DWN	APVD
-	-	SEE SHEET 1	-	-	-



RECOMMENDED P.C.BOARD PATTERN DIMENSION (WITH HOLD DOWN)



MATING HIGHT

NOTES:

1.MATERIAL:

- 1.1 HOUSING: LCP, UL 94 V-0, COLOR: BLACK.
- 1.2 CONTACT: COPPER ALLOY.
- 1.3 HOLD DOWN: COPPER ALLOY.

2. FINISH:

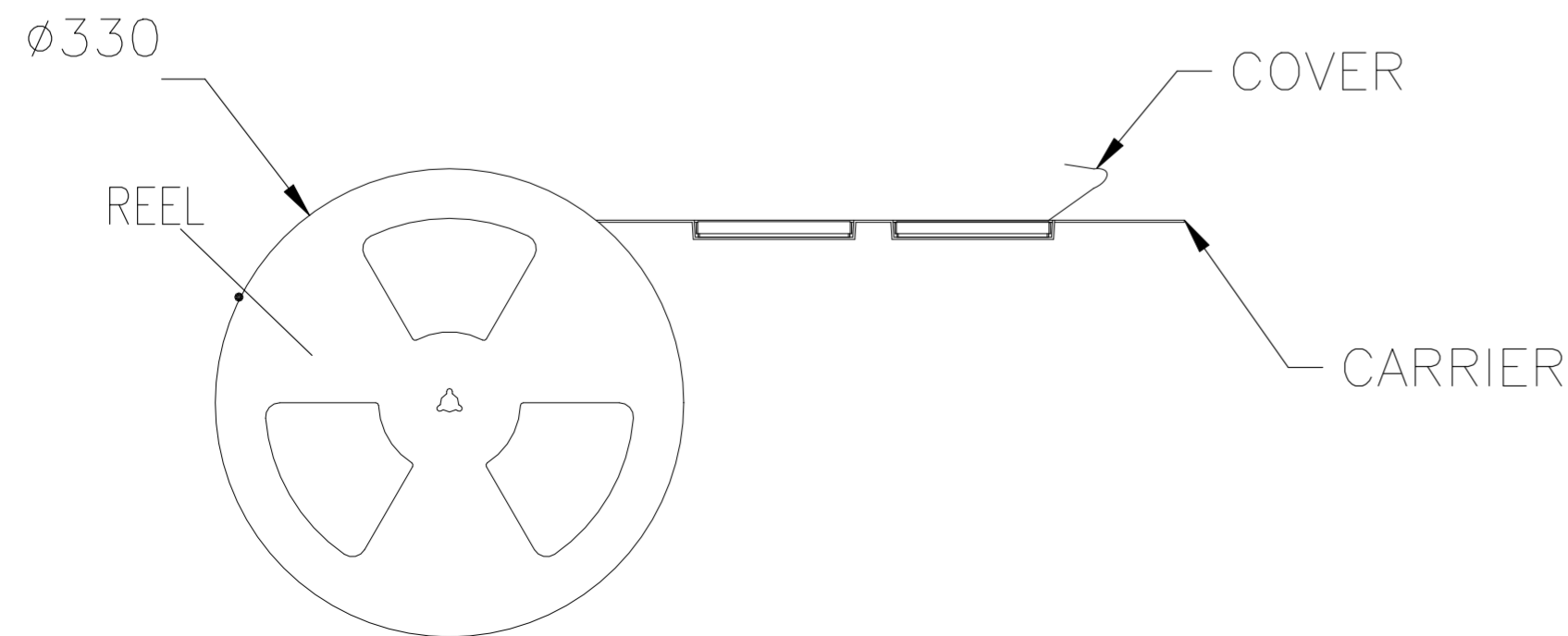
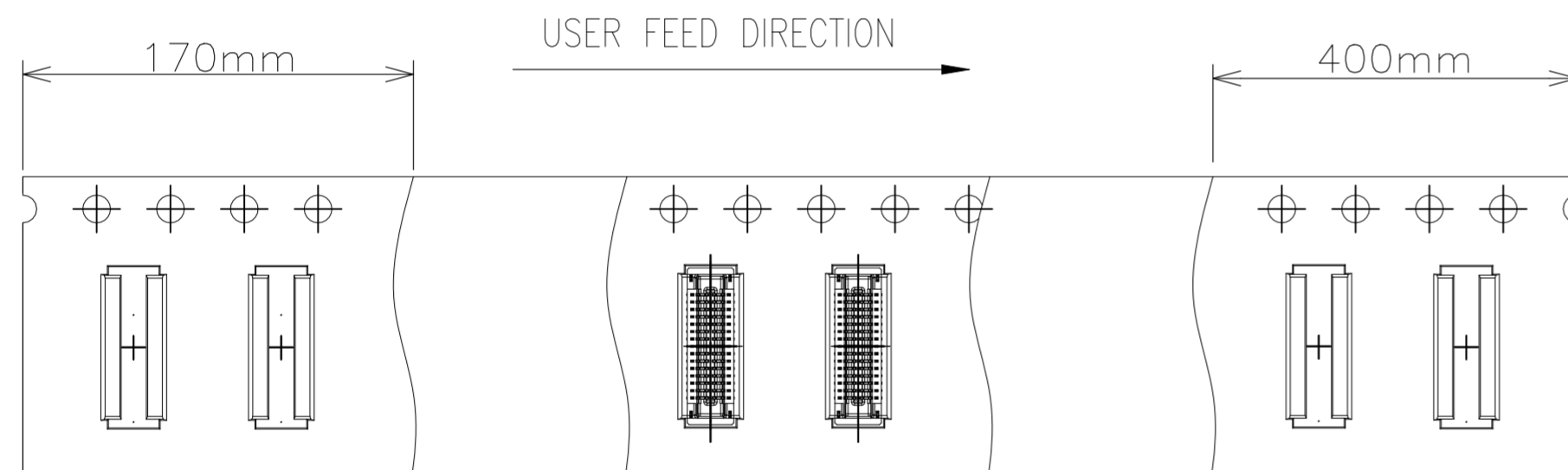
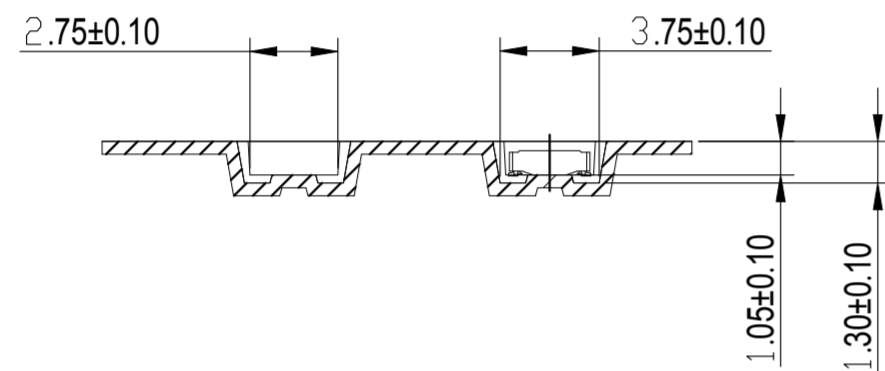
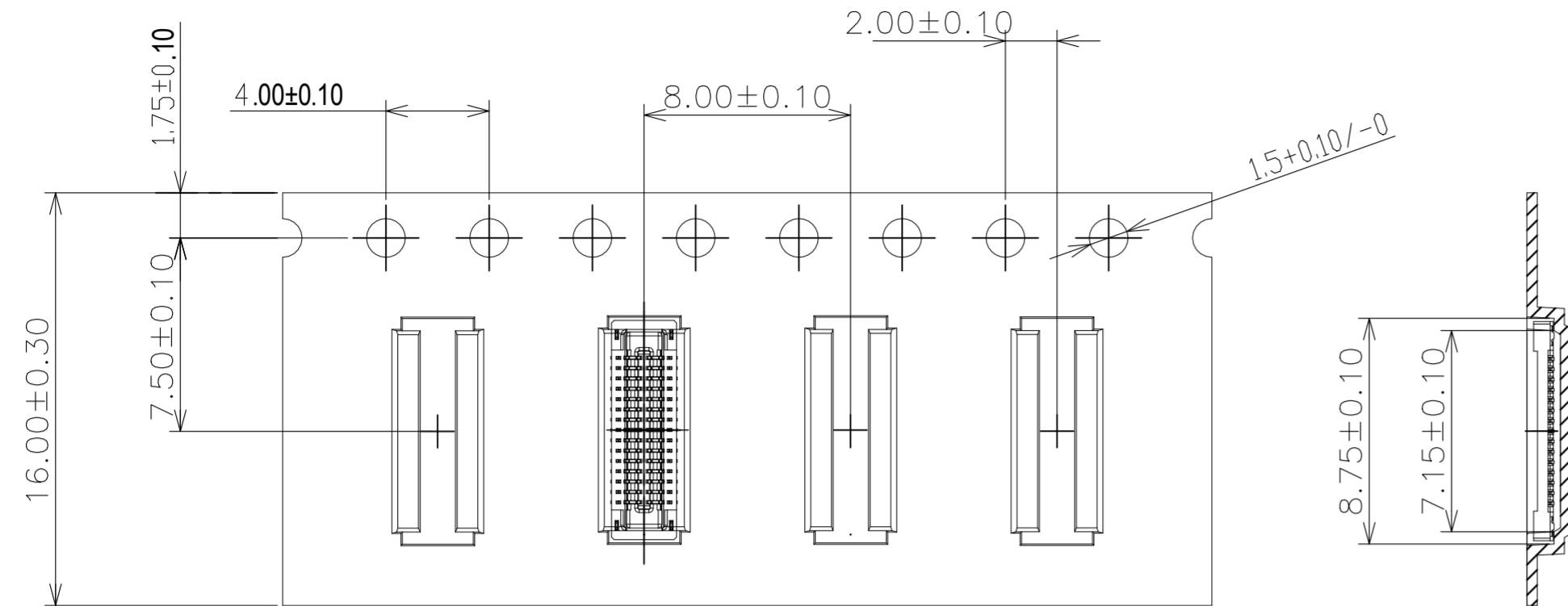
- 2.1 CONTACT:
GOLD FLASH ON CONTACT AND SOLDERING AREA.
NICKEL UNDER PLATING OVERALL.
- 2.2 HOLD DOWN:
TIN PLATING OVER NICKEL UNDER PLATING.

3. REFLOW SOLDER CAPABLE TO 260 °C.

4. MATING PLUG PART NUMBER: 3-2363962-0.

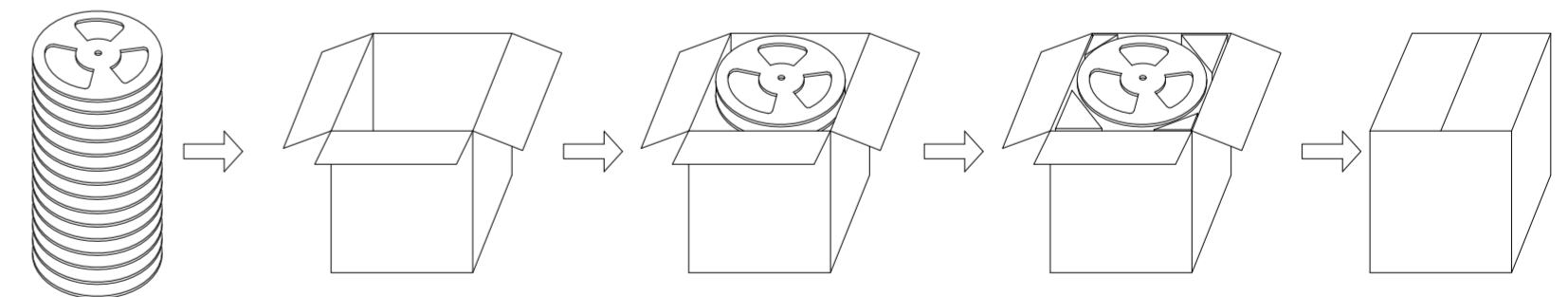
THIS DRAWING IS A CONTROLLED DOCUMENT.		DWN	26SEP2019	TE TE Connectivity Ltd.	
		CHK	26SEP2019		
DIMENSIONS: mm		TOLERANCES UNLESS OTHERWISE SPECIFIED		NAME	
		0 PLC	±	0.4mm PITCH BTB CONN.	
		1 PLC	± 0.3	H0.8 REC ASSEMBLY	
		2 PLC	± 0.20	-	
		3 PLC	±	-	
MATERIAL		FINISH	WEIGHT	SIZE	CAGE CODE
-		-	-	A2	00779
		CUSTOMER DRAWING		DRAWING NO	RESTRICTED TO
				C=2363961	-
				SCALE	SHEET
				12:1	2 of 6
				REV	A

REVISIONS					
P	LTR	DESCRIPTION	DATE	DWN	APVD
-	-	SEE SHEET 1	-	-	-



- NOTES :
- PACKAGING MATERIAL IN PLASTIC, RUBBER, INK, PIGMENT AND PAINT MUST MEET CONTROLLED SUBSTANCES SPEC PER 230-702.
 - * CADMIUM AND CADMIUM COMPOUNDS NOT TO EXCEED: 5 PPM.
 - * LEAD, CADMIUM, CHROM VI AND MERCURY NOT TO EXCEED: 100 PPM (COMBINED).
 - * CARRIER TAPES, COVER TAPES, REELS AND TAPED COMPONENTS MUST MEET THE REQUIREMENTS DEFINED PER EIA-481-C.
- MATERIAL :
 - COVER TAPE : PET, COLOR: TRANSPARENT.
 - CARRIER TAPE : POLYSTYRENES, BLACK COLOR.
 - REEL : POLYSTYRENES, BLUE COLOR.
 - SHIPPING BOX: CORRUGATED FIBER
 - DIMENSION :
 - REEL : SEE DRAWING
 - SHIPPING BOX : SEE DRAWING
 - QUANTITY : SEE TABLE
 - WEIGHT : SEE TABLE
 - PEELING RESISTANCE : 10gf~130gf
 - PEELING SPEED : 300mm/MINUTES

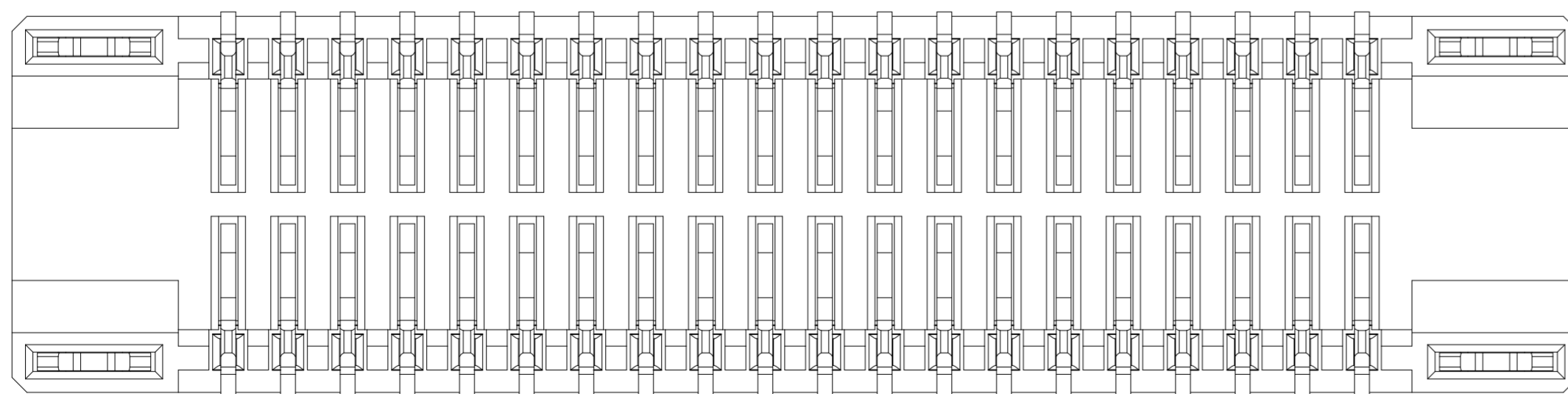
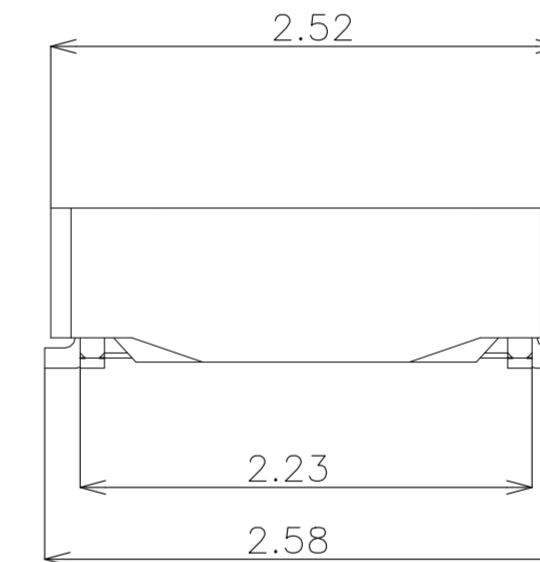
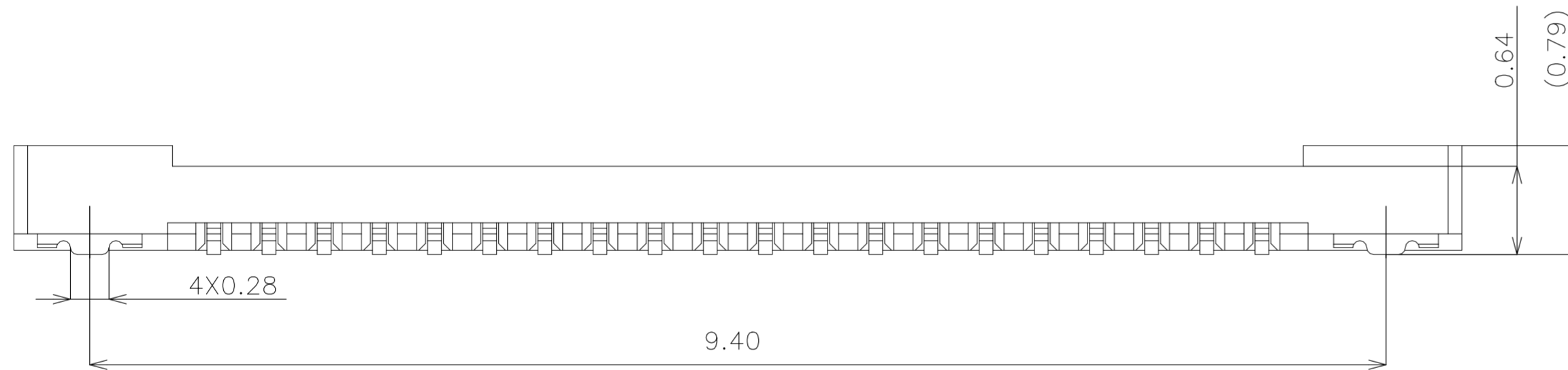
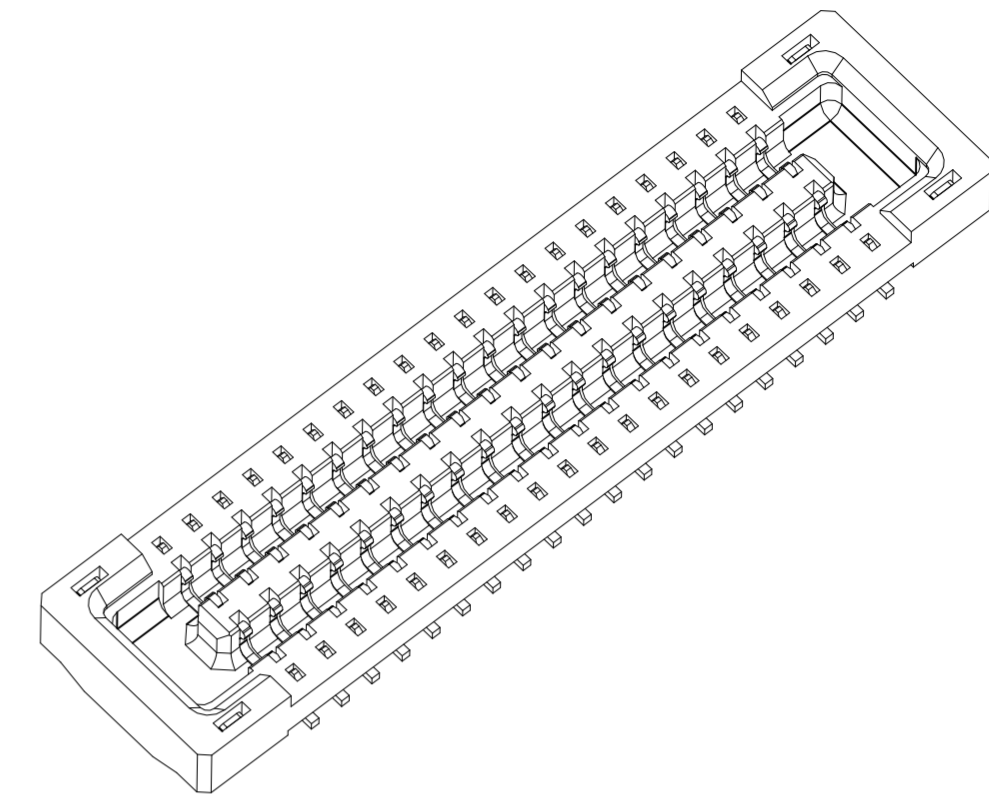
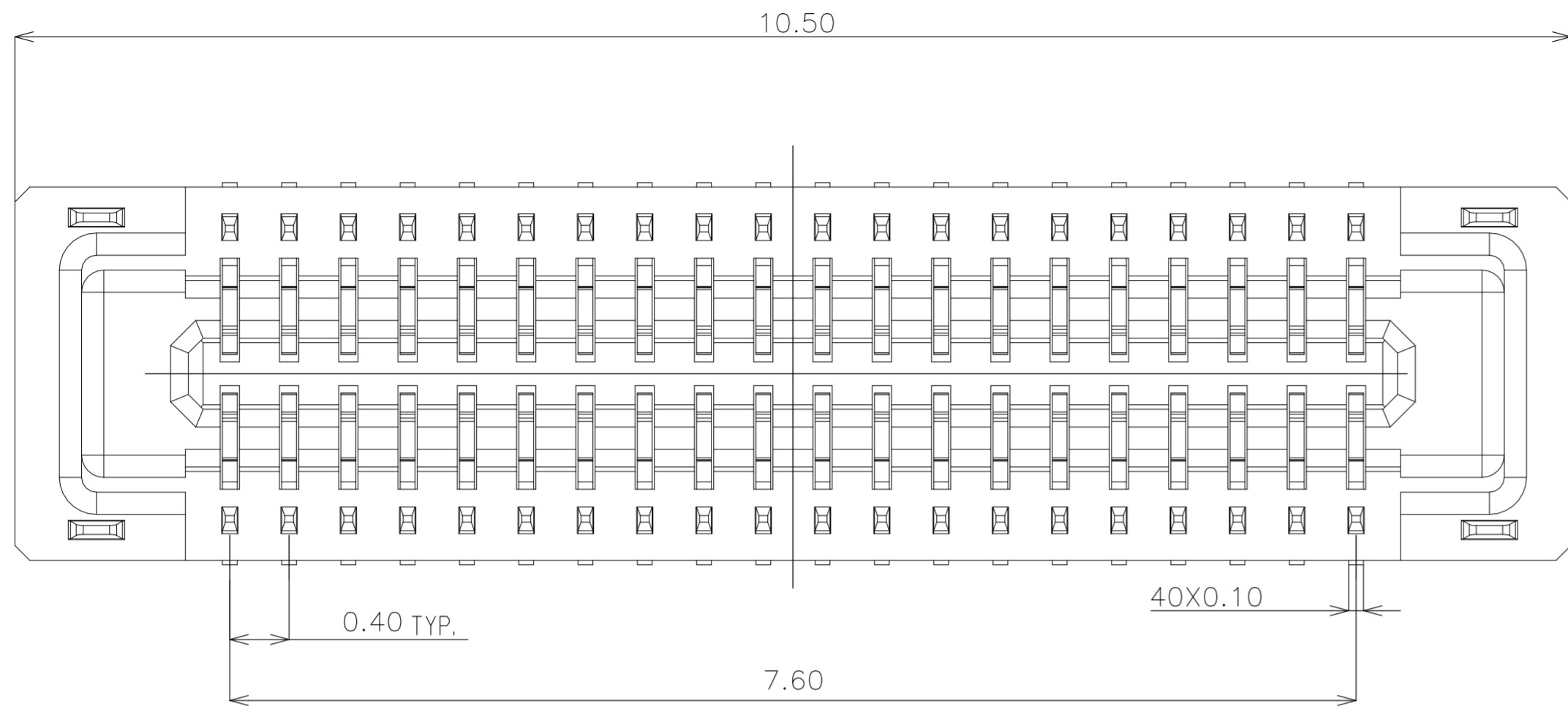
9.6KG	1.47KG	5000	14	70000	3-2363961-0
GROSS WEIGHT	NET WEIGHT	PCS/ REEL	REEL/ BOX	PCS/ BOX	PART NUMBER



OUT BOX PACKAGE DIAGRAM DRAWING

THIS DRAWING IS A CONTROLLED DOCUMENT.		DWN	26SEP2019	TE Connectivity Ltd.																			
		CHK	26SEP2019																				
DIMENSIONS: mm		TOLERANCES UNLESS OTHERWISE SPECIFIED		NAME																			
<table border="1"> <tr><td>0 PLC</td><td>±</td></tr> <tr><td>1 PLC</td><td>± 0.3</td></tr> <tr><td>2 PLC</td><td>± 0.20</td></tr> <tr><td>3 PLC</td><td>± -</td></tr> <tr><td>4 PLC</td><td>± -</td></tr> <tr><td>ANGLES</td><td>± -</td></tr> <tr><td>FINISH</td><td>± -</td></tr> </table>		0 PLC	±	1 PLC	± 0.3	2 PLC	± 0.20	3 PLC	± -	4 PLC	± -	ANGLES	± -	FINISH	± -	<table border="1"> <tr><td>PRODUCT SPEC</td><td>108-115166</td></tr> <tr><td>APPLICATION SPEC</td><td>-</td></tr> </table>		PRODUCT SPEC	108-115166	APPLICATION SPEC	-	0.4mm PITCH BTB CONN. H0.8 REC ASSEMBLY	
0 PLC	±																						
1 PLC	± 0.3																						
2 PLC	± 0.20																						
3 PLC	± -																						
4 PLC	± -																						
ANGLES	± -																						
FINISH	± -																						
PRODUCT SPEC	108-115166																						
APPLICATION SPEC	-																						
MATERIAL		WEIGHT	-	SIZE	A2																		
		CUSTOMER DRAWING		CAGE CODE	00779																		
				DRAWING NO	C=2363961																		
				RESTRICTED TO	-																		
		SCALE	12:1	SHEET	3 of 6																		
				REV	A																		

REVISIONS					
P	LTR	DESCRIPTION	DATE	DWN	APVD
-	-	SEE SHEET 1	-	-	-

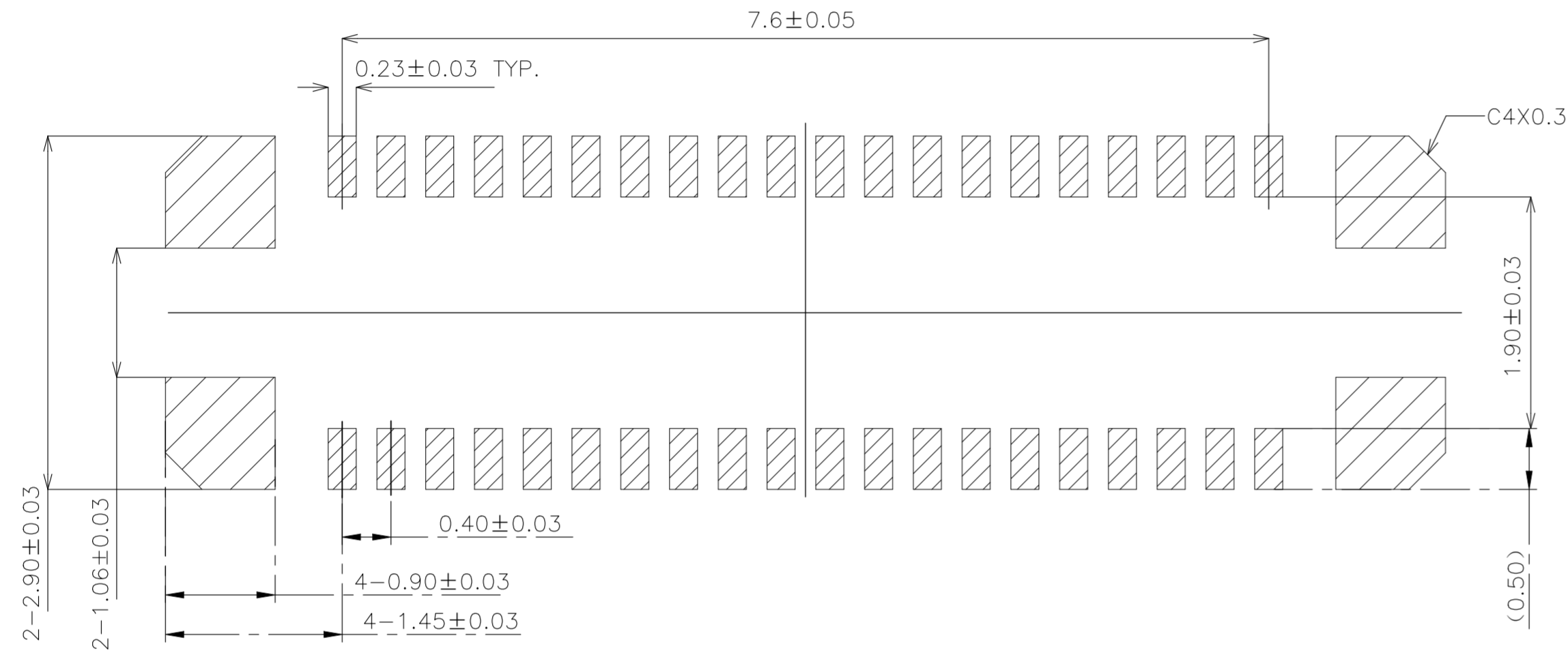


4-2363961-0
PART NUMBER

THIS DRAWING IS A CONTROLLED DOCUMENT.		DWN H.X 26SEP2019	TE Connectivity Ltd.		
		CHK W.H 26SEP2019			
DIMENSIONS: mm		APVD -	NAME 0.4mm PITCH BTB CONN. H0.8 REC ASSEMBLY		
TOLERANCES UNLESS OTHERWISE SPECIFIED:		PRODUCT SPEC 108-115166	SIZE A2		
0 PLC ± -		APPLICATION SPEC -	CAGE CODE 00779	DRAWING NO C=2363961	RESTRICTED TO -
1 PLC ± 0.3		WEIGHT 0	SCALE 12:1		
2 PLC ± 0.20		CUSTOMER DRAWING	SHEET 4 of 6	REV A	
3 PLC ± 0.15					
4 PLC ± -					
ANGLES ± -					
FINISH -					

2363961

P	LTR	DESCRIPTION	DATE	DWN	APVD
-	-	SEE SHEET 1	-	-	-



RECOMMENDED P.C.BOARD PATTERN DIMENSION (WITH HOLD DOWN)

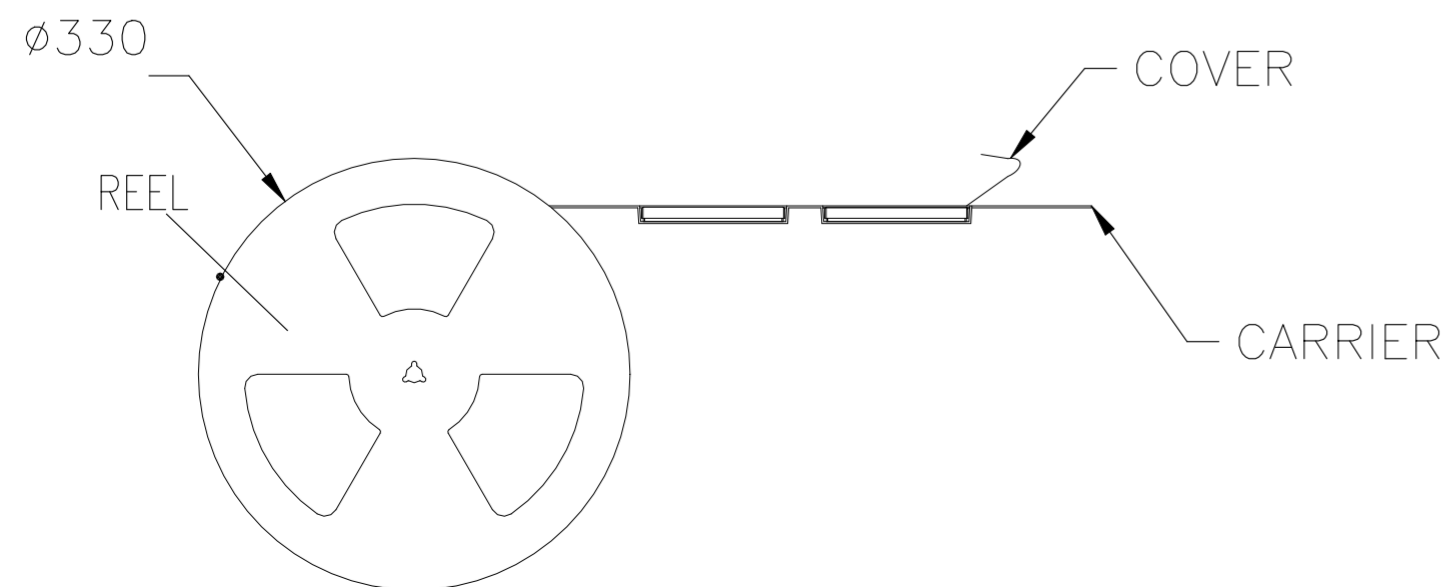
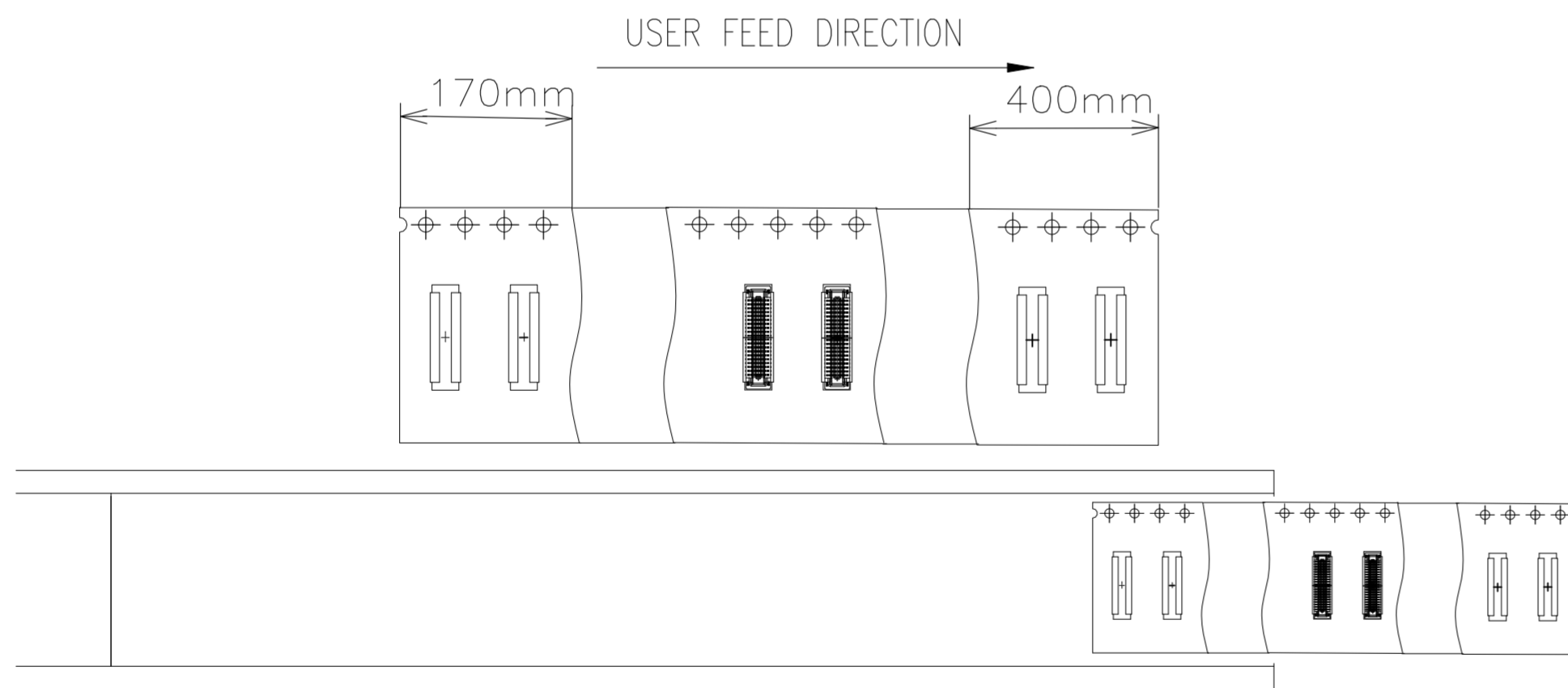
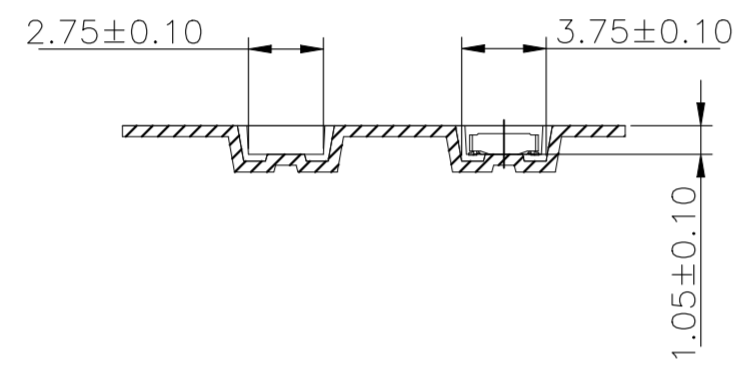
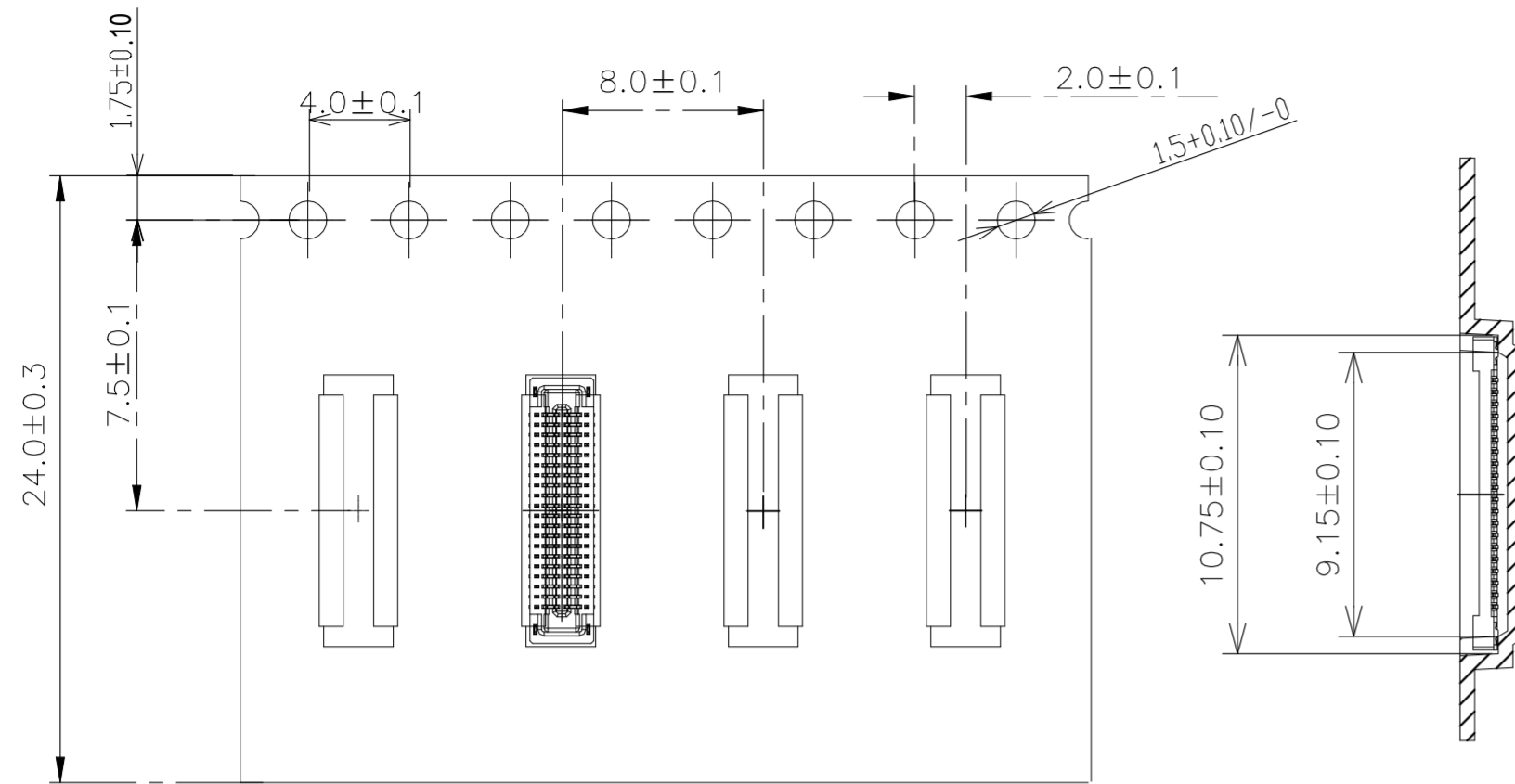


MATING HIGHT

- NOTES:
- MATERIAL:
 - HOUSING: LCP, UL 94 V-0, COLOR: BLACK.
 - CONTACT: COPPER ALLOY.
 - HOLD DOWN: COPPER ALLOY.
 - FINISH:
 - CONTACT: GOLD FLASH ON CONTACT AND SOLDERING AREA. NICKEL UNDER PLATING OVERALL.
 - HOLD DOWN: TIN PLATING OVER NICKEL UNDER PLATING.
 - REFLOW SOLDER CAPABLE TO 260 °C.
 - MATING PLUG PART NUMBER: 4-2363962-0.

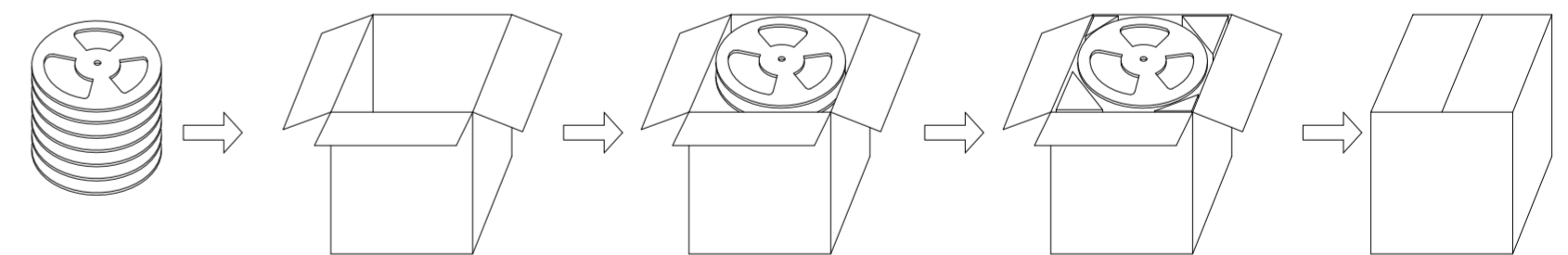
THIS DRAWING IS A CONTROLLED DOCUMENT.		DWN H.X	26SEP2019	TE Connectivity Ltd.	
		CHK W.H	26SEP2019		
DIMENSIONS: mm		TOLERANCES UNLESS OTHERWISE SPECIFIED		NAME	
		0 PLC ±		PRODUCT SPEC	
		1 PLC ± 0.3		108-115166	
		2 PLC ± 0.20		APPLICATION SPEC	
		3 PLC ±		SIZE	CAGE CODE
		4 PLC ±		A2	00779
		ANGLES ±		DRAWING NO	
MATERIAL		FINISH		C=2363961	
				RESTRICTED TO	
				-	
				SCALE	SHEET
				12:1	5 of 6
				REV	A
				CUSTOMER DRAWING	

REVISIONS					
P	LTR	DESCRIPTION	DATE	DWN	APVD
-	-	SEE SHEET 1	-	-	-



- NOTES :
- PACKAGING MATERIAL IN PLASTIC, RUBBER, INK, PIGMENT AND PAINT MUST MEET CONTROLLED SUBSTANCES SPEC PER 230-702.
 - * CADMIUM AND CADMIUM COMPOUNDS NOT TO EXCEED: 5 PPM.
 - * LEAD, CADMIUM, CHROM VI AND MERCURY NOT TO EXCEED: 100 PPM (COMBINED).
 - * CARRIER TAPES, COVER TAPES, REELS AND TAPED COMPONENTS MUST MEET THE REQUIREMENTS DEFINED PER EIA-481-C.
- MATERIAL :
COVER TAPE : PET, COLOR: TRANSPARENT.
CARRIER TAPE : POLYSTYRENES, BLACK COLOR.
REEL : POLYSTYRENES, BLUE COLOR.
SHIPPING BOX: CORRUGATED FIBER
 - DIMENSION :
REEL : SEE DRAWING
SHIPPING BOX : SEE DRAWING
 - QUANTITY : SEE TABLE
 - WEIGHT : SEE TABLE
 - PEELING RESISTANCE : 10gf~130gf
 - PEELING SPEED : 300mm/MINUTES

6.018KG	0.81KG	5000	6	30000	4-2363961-0
GROSS WEIGHT	NET WEIGHT	PCS/ REEL	REEL/ BOX	PCS/ BOX	PART NUMBER



OUT BOX PACKAGE DIAGRAM DRAWING

THIS DRAWING IS A CONTROLLED DOCUMENT.		DWN	26SEP2019	TE TE Connectivity Ltd.	
		CHK	26SEP2019		
DIMENSIONS: mm		TOLERANCES UNLESS OTHERWISE SPECIFIED		NAME	
0 PLC ±		1 PLC ± 0.3		PRODUCT SPEC	
2 PLC ± 0.20		3 PLC ±		108-115166	
4 PLC ±		ANGLES ±		APPLICATION SPEC	
MATERIAL		FINISH		SIZE	
				A2	
		WEIGHT		CAGE CODE	
				00779	
CUSTOMER DRAWING		SCALE		DRAWING NO	
		12:1		-	
		SHEET		RESTRICTED TO	
		6 of 6		-	
		REV		A	