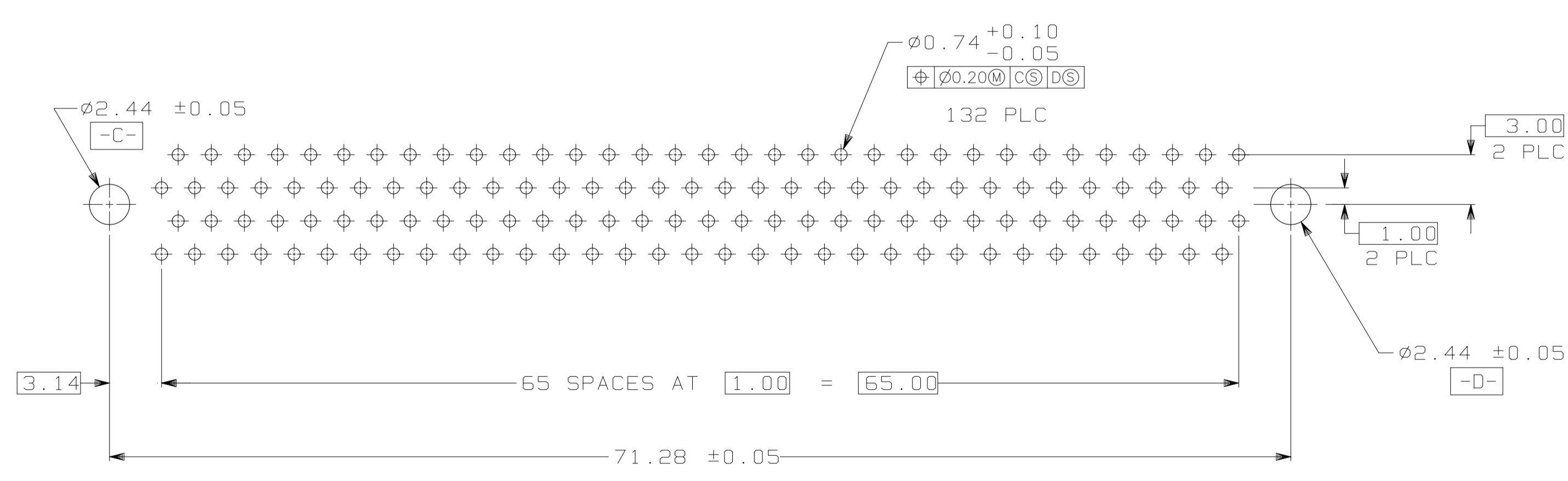
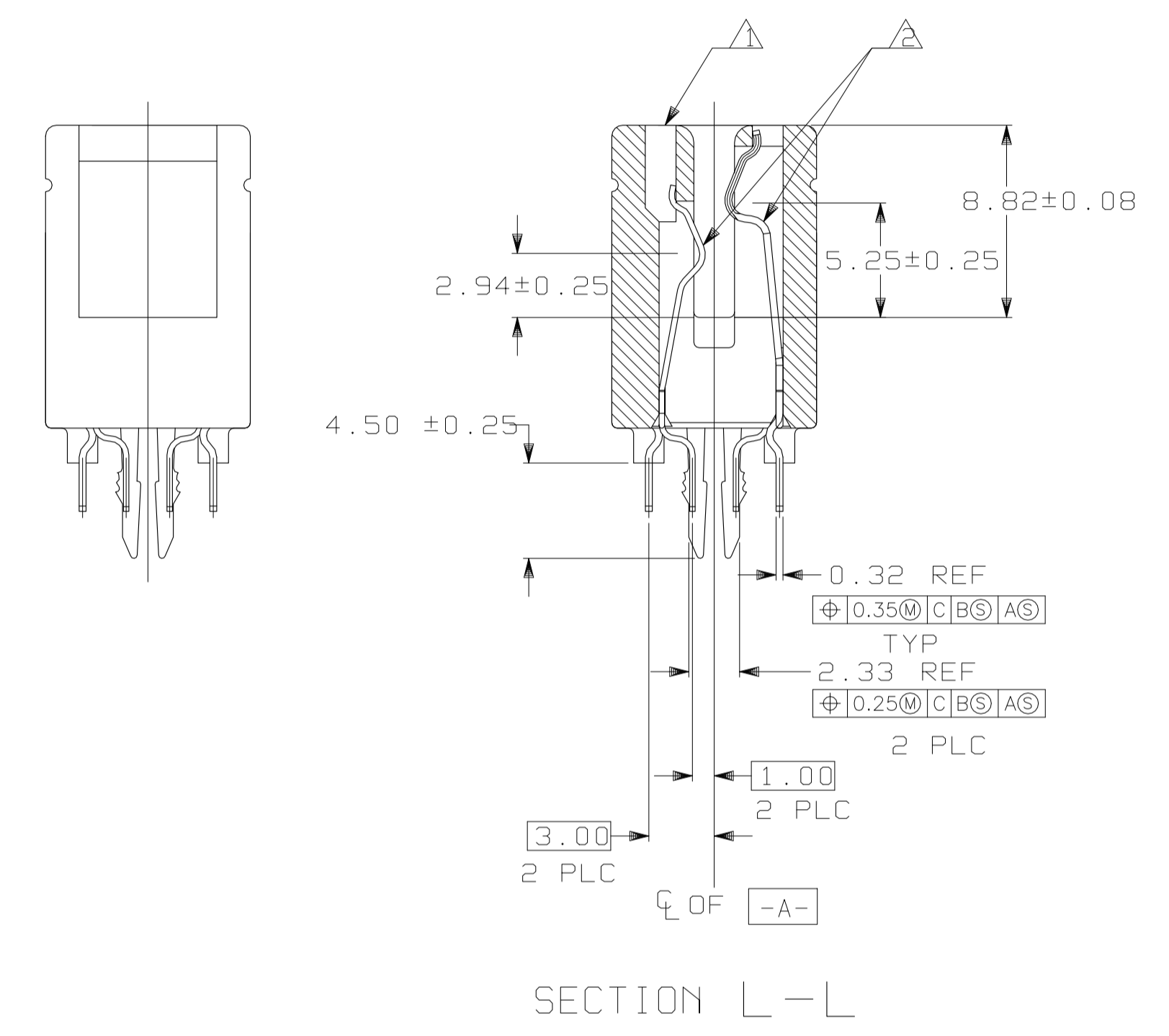
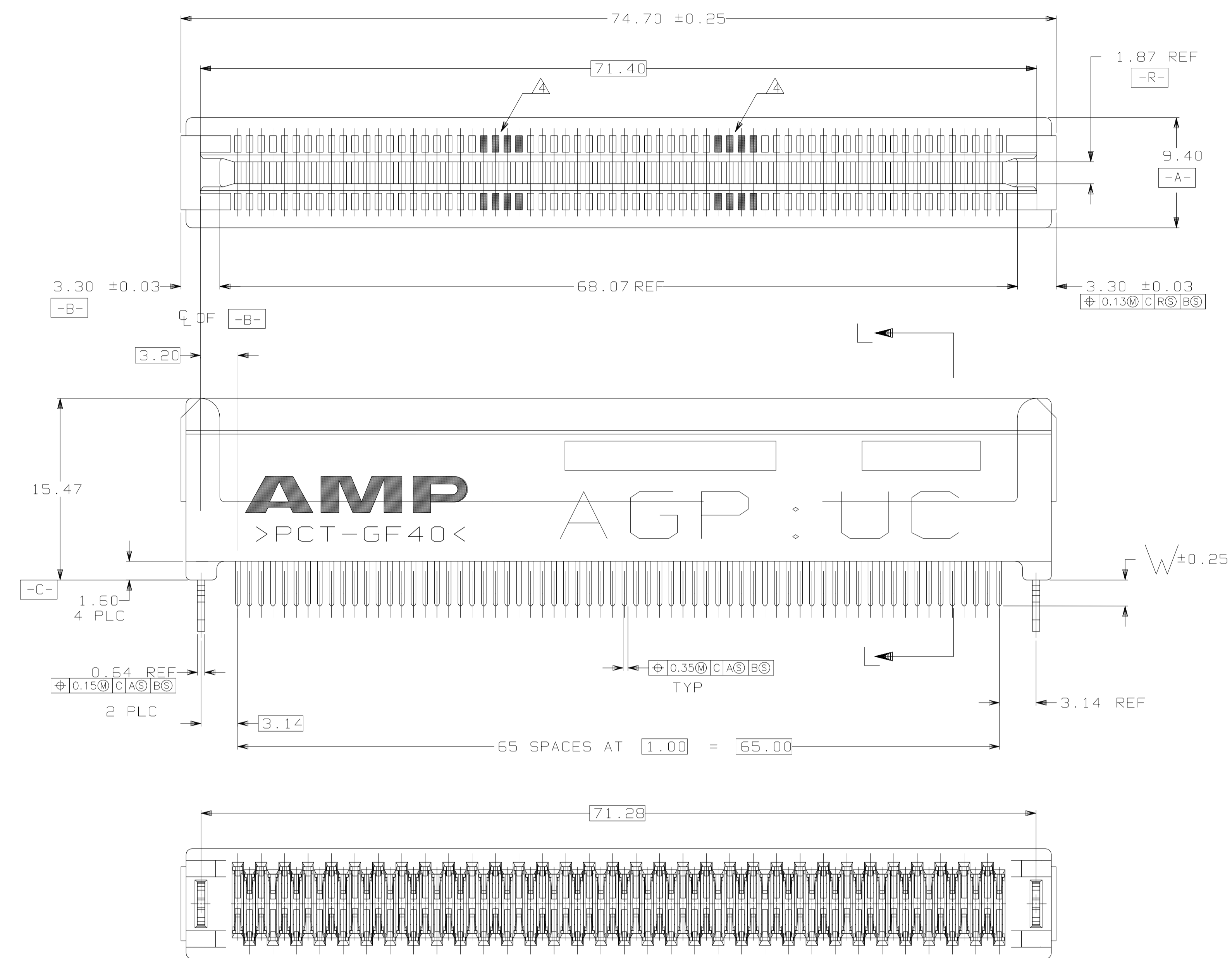


REVISIONS				
P	LTR	DESCRIPTION	DATE	APP'D
A2		REVISED PER ECN-21-119406	11OCT2021	MLU SH



- △ MATERIAL: HOUSING, THERMOPLASTIC, COLOR: BROWN.  
CONTACTS, PHOSPHOR BRONZE.  
HOLD-DOWNS, BRASS.
- △ FINISH: CONTACTS, 1.27 MIN. MICROMETERS NICKEL ALL OVER,  
0.38 MIN. MICROMETERS GOLD OVER NICKEL IN CONTACT AREA,  
2.54 MIN MICROMETERS TIN OVER NICKEL ON SOLDER TAILS.
- △ REFER TO INTEL ACCELERATED GRAPHICS PORT INTERFACE SPECIFICATION  
FOR RECOMMENDED MATING PAD PATTERNS FOR AGP 1X, 2X AND 4X BOARDS.
- △ SHADED CONTACT LOCATIONS ARE AT RISK OF DAMAGE DURING MATING AND  
UNMATING WITH AGP-1X AND AGP-2X/4X CIRCUITS.
- △ FINISH: CONTACTS, 1.27 MIN. MICROMETERS NICKEL ALL OVER,  
0.0254-0.0762 MICROMETERS GOLD OVER NICKEL IN CONTACT AREA.  
2.54 MIN. MICROMETERS TIN OVER NICKEL ON SOLDER TAILS.
- △ OBSOLETE PARTS: OBSOLETE CIS STREAMLINING PER D.RENAUD/D.SINISI

6	△	3.18	5145376-6
OBSOLETE	△	2.54	5145376-5
	△	3.18	5145376-3
	△	2.54	5145376-2
OBSOLETE	△	2.16	5145376-1
	PLATING	W	PART NO

RECOMMENDED CONNECTOR MOUNTING HOLE PATTERN  
(CONNECTOR SIDE SHOWN)

THIS DRAWING IS A CONTROLLED DOCUMENT.		DIN 23MAR05 GAVIN ZHANG	TE Connectivity	
DIMENSIONS: mm		CNK 23MAR05 STEVEN YAO	NAME	
TOLERANCES UNLESS OTHERWISE SPECIFIED:		APVD 23MAR05 ENOMOTO	ASSEMBLY, 132 POSITION 1mm, CARD EDGE CONNECTOR	
0 PLC ± -	1 PLC ± -	PRODUCT SPEC	SIZE	RESTRICTED TO
2 PLC ± 0.13	3 PLC ± 0.13	APPLICATION SPEC	A1	5145376
4 PLC ± -	ANGLES ± 2	WEIGHT	SCALE	SHEET
MATERIAL △	FINISH △△	CUSTOMER DRAWING	1:1	1 of 1