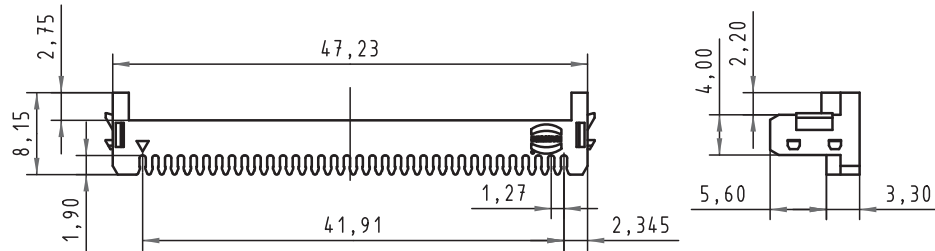
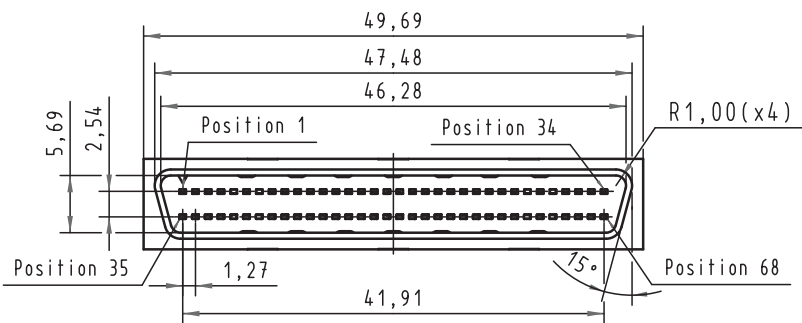
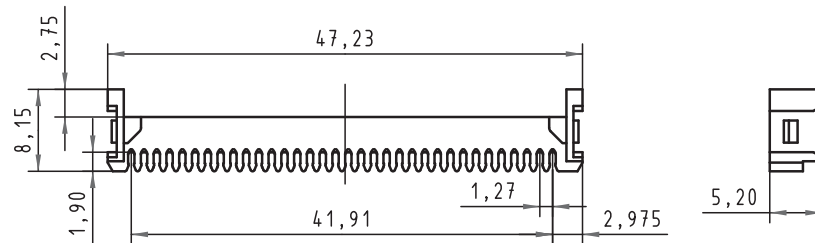
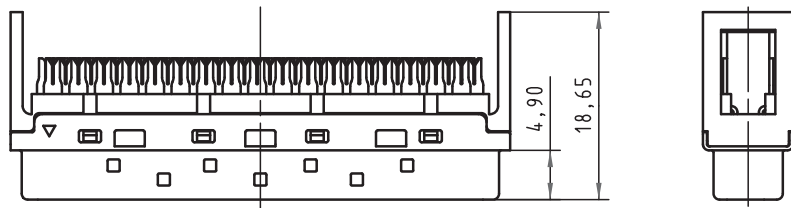


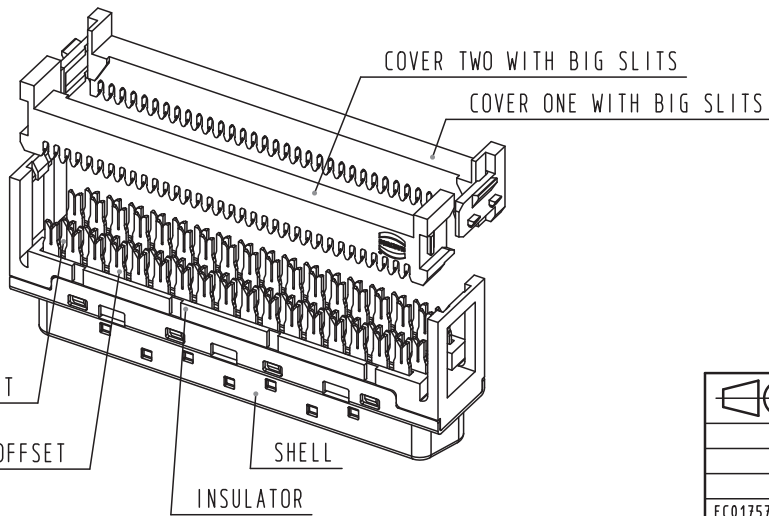
All rights reserved



COVER ONE





COVER TWO



SPECIFICATION

THIS CONNECTOR IS ACCORDING TO IEC 61076-3-101

 All Dimensions in mm Original Size DIN A 3			Techn. Character.			Free size tolerances		
			Dat.	Name	Scale	har.mik® P&S		
			Detail.	02-JUNE-08	SW	68P pin&socket IDC Male connector		
			Insp.			For wire insulator O.D from 0.75mm~0.90mm		
EC01757	04-MAY-10	Yuri Guo	Stand.					
EC01730	28-APR-10	Yuri Guo						
31788	28-JUL-08	SW						
Mod.	Dat.	Name	Zhuhai Harting Limited					TB 60 03 068 5215
						Sub.		Page 1/1