

THIS DRAWING IS UNPUBLISHED.

RELEASED FOR PUBLICATION

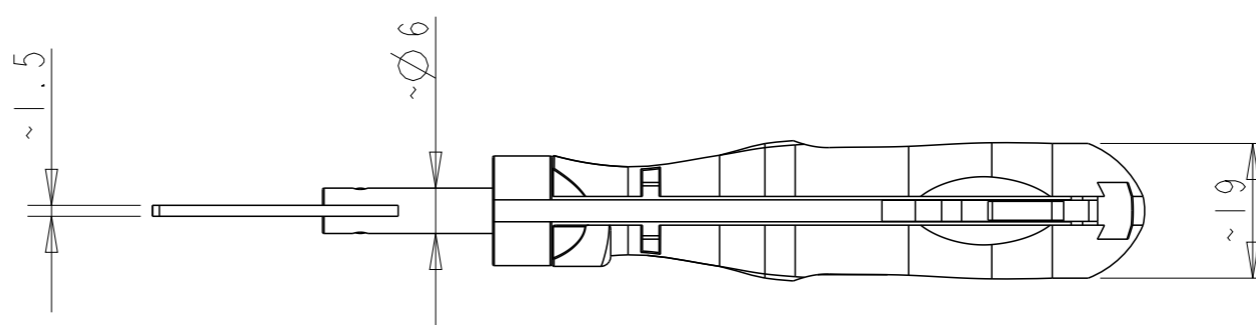
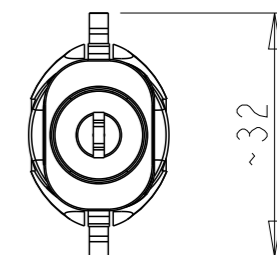
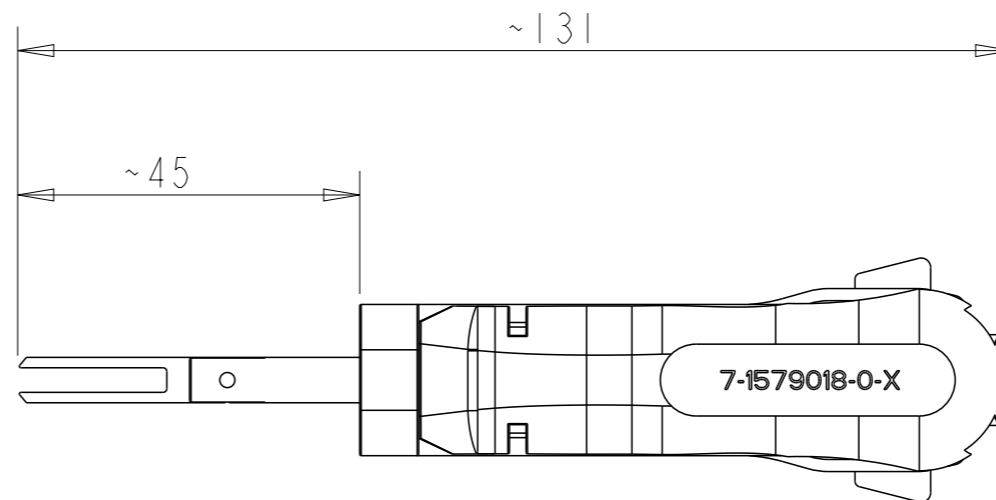
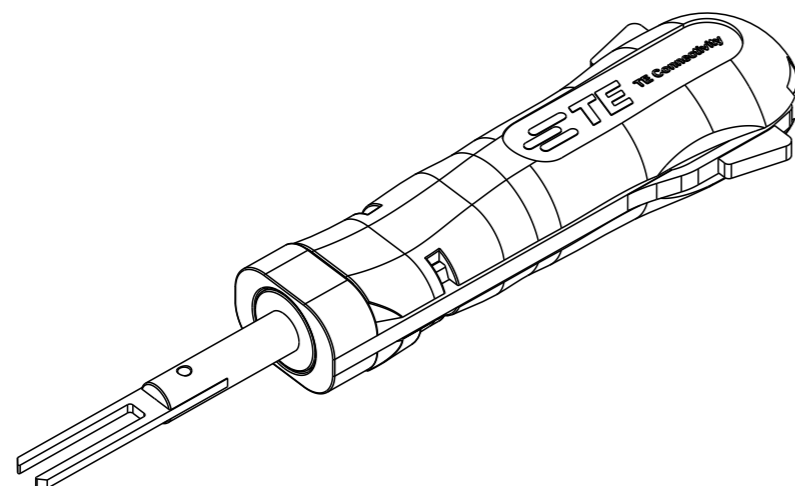
20

© COPYRIGHT 20 BY -

ALL RIGHTS RESERVED.


REVISIONS

P	LTR	DESCRIPTION	DATE	DWN	APVD
A		INITIAL REVISION	04NOV09	SA	GS
B		ECR-18-006974	07MAY2018	MG	RG



APPLICATION RANGE / Anwendungsbereich:

FOR FUSE-BOX: 1801493-1  
 FOR CONTACT: 1544965-1, 1544966-1  
 1544218-1

THIS DRAWING IS A CONTROLLED DOCUMENT.		DWN S. Samstag 04NOV09	 TE Connectivity			
DIMENSIONS: mm		CHK G. Stegmayer 15JAN2010				
TOLERANCES UNLESS OTHERWISE SPECIFIED:		APVD G. Stegmayer 15JAN2010	NAME EXTRACTION TOOL			
0 PLC ±- 1 PLC ±0.0 2 PLC ±0.00 3 PLC ±0.000 4 PLC ±0.0000 ANGLES ±-		PRODUCT SPEC -	Entriegelungswerkzeug Set			
MATERIAL -		APPLICATION SPEC -	SIZE A3	CAGE CODE 00779	DRAWING NO C-7-1579018-0	RESTRICTED TO -
FINISH -		WEIGHT 0.031	SCALE 1:1		SHEET 1 OF 1	REV B
		CUSTOMER DRAWING				