

LAYOUT SHOWN AS EXAMPLE

Keying Shown as example

CHARACTERISTICS

- Standard : Based on MIL-DTL-38999 Series III
- Shell Material : Aluminium
- Shell Plating : Nickel
- Insulator : Thermoplastic
- Contacts : Copper Alloy
- Seals & Grommet : Silicon Elastomer
- Contact Plating : Gold over copper Alloy 0.8µm minimum
- Durability : 500 Mating cycles
- Delivered without Souriau contacts
- Temperature Range : -65°C to +200°C
- Salt Spray : 48 hours
- Mass : 13.49 g ± 10%

Connector dimension	
Dim	Nominal
A	30.2±0.3
B	16.53+0.1/-0.15
R	32.5Max
S	27±0.4
W	2.2+0.9/-0.1
VV THREAD	M12x1-6g

SOURIAU shall not be liable for any non-conformity or damage due to a use of the Products which does not comply with the Specifications issued by either of the Parties or by a third party (professional recommendation, technical notice.)

Country	Jurisdiction & Control List
FR	Not Listed

PN: 8D709F98PCL

A	03-11-2016	First Release	
ISS	DATE	Latest modification - by	MOD N°
Designed By:		Date:	CUSTOMER DRAWING
TITLE	Aluminium Receptacle 8D series		
SCALE	NA	General linear Tolerances: ±--	NPRDS / PROJECT 859
SOURIAU	WWW.SOURIAU.COM		This document is the property of SOURIAU it must not be reproduced or communicated without permission
FORMAT	A3		SOURIAU DRG N° 8D709F98PCL-C
			SHEET 1/2

BASIC SERIES:	8D	7	-	09	F	98	P	C	L	Delivered W/O Contacts
SHELL TYPE :	Jam nut Receptacle				ORIENTATION : C					
CONTACT TYPE :	Standard Crimp Contact				CONTACT TYPE : PIN(500 Matings)					
SHELL SIZE :	09				CONTACT LAYOUT : 09-98					
PLATING :	F = Nickel									

Contact Layout

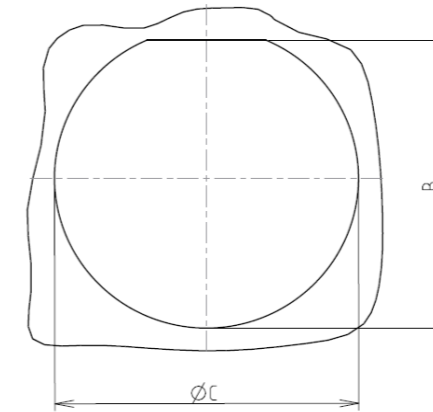


Contacts (insert arrangement 9-98)		
Contact position ID	Contact location	
	X-axis (mm)	Y-axis (mm)
A	+065 (1.65)	+038 (0.97)
B	+000 (0.00)	-075 (1.91)
C	-065 (1.65)	+038 (0.97)

Shell size	Arrangement no.	Number of contacts	Size contacts	Service rating	Contact location	Supersedes
9	-98	3	20	I	All	MS20049-98

Panel cutout

JAM NUT RECEPTACLE (TYPE 7)



Dim	Nominal
B	16.7±0.1
ØC	17.6+0.25/-0

SOURIAU shall not be liable for any non-conformity or damage due to a use of the Products which does not comply with the Specifications issued by either of the Parties or by a third party (professional recommendation, technical notice.)

Country	Jurisdiction & Control List
FR	Not Listed

PN: 8D709F98PCL

A	03-11-2016	First Release	
ISS	DATE	Latest modification - by	MOD N°
Designed By:		Date:	CUSTOMER DRAWING
TITLE	Aluminium Receptacle 8D series		
SCALE		General linear Tolerances: ±--	NPRDS / PROJECT 859
NA			
SOURIAU	WWW.SOURIAU.COM		This document is the property of SOURIAU it must not be reproduced or communicated without permission
FORMAT	SOURIAU DRG N° 8D709F98PCL-C		SHEET 2/2