

LAYOUT SHOWN AS EXAMPLE

Keying Shown as example

**CHARACTERISTICS**

- Standard : Based on MIL-DTL-38999 Series III
- Shell Material : Aluminium
- Shell Plating : Olive drab Cadmium
- Insulator : Thermoplastic
- Contacts : Copper Alloy
- Seals & Grommet : Silicon Elastomer
- Contact Plating : Gold over copper Alloy 0.8µm minimum
- Durability : 500 Mating cycles
- Delivered with Souriau contacts and Accessories
- Temperature Range : -65°C to +175°C
- Salt Spray : 500 hours
- Mass : 62.16 g ± 10%

Connector dimension	
Dim	Nominal
A	52.4±0.3
B	36.5+0.1/-0.15
R	32.5Max
S	49.2±0.4
W	3+0.9/-0.1
VV THREAD	M31x1-6g

SOURIAU shall not be liable for any non-conformity or damage due to a use of the Products which does not comply with the Specifications issued by either of the Parties or by a third party (professional recommendation, technical notice.)

Country	Jurisdiction & Control List
FR	Not Listed

**PN: 8D721W75AA**

A	08-11-2016	First Release	
ISS	DATE	Latest modification - by	MOD N°
Designed By:		Date:	<b>CUSTOMER DRAWING</b>
<b>TITLE</b>		Aluminium Receptacle 8D series	
SCALE	NA	General linear Tolerances: ±--	NPRDS / PROJECT <b>859</b>
<b>SOURIAU</b>		<b>WWW.SOURIAU.COM</b>	
This document is the property of SOURIAU it must not be reproduced or communicated without permission			
FORMAT	<b>SOURIAU DRG N° 8D721W75AA-C</b>		SHEET 1/2

BASIC SERIES:	8D	7	-	21	W	75	A	A
SHELL TYPE :	Jam nut Receptacle							
CONTACT TYPE :	Standard Crimp Contact							
SHELL SIZE :	21							
PLATING :	W = Olive drab Cadmium							
							ORIENTATION : A	
							CONTACT TYPE : PIN(500 Matings)	
							CONTACT LAYOUT : 21-75	

Contact Layout



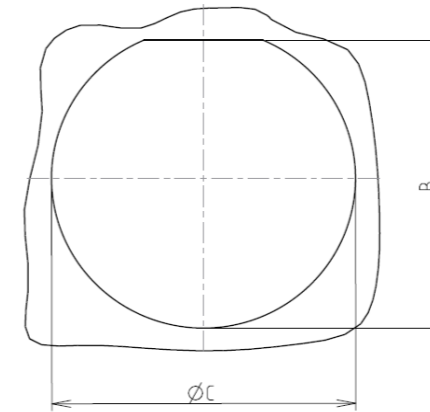
(Inactive for new design for MIL-DTL-38999. For new design, use arrangement no. 21-76.)

Contacts (Insert arrangement 21-75)		
Contact position ID	Location	
	X axis	Y axis
A	+180 (4.57)	+180 (4.57)
B	+180 (4.57)	-180 (4.57)
C	-180 (4.57)	-180 (4.57)
D	-180 (4.57)	+180 (4.57)

Shell size	Arrangement no.	Number of contacts	Size contacts	Service rating	Contact location	Standard contact	
						Pin	Socket
21	-75	4	8 (see note)	Twinax	All	M39029/90-529	M39029/91-530

Panel cutout

JAM NUT RECEPTACLE (TYPE 7)



Max. thickness panel for receptacle: Type 7: 3.2 mm

Dim	Nominal
B	37.08+0/-0.25
ØC	38.35+0.25/-0

SOURIAU shall not be liable for any non-conformity or damage due to a use of the Products which does not comply with the Specifications issued by either of the Parties or by a third party (professional recommendation, technical notice.)

Country	Jurisdiction & Control List
FR	Not Listed

PN: 8D721W75AA

A	08-11-2016	First Release	
ISS	DATE	Latest modification - by	MOD N°
Designed By:		Date:	<b>CUSTOMER DRAWING</b>
<b>TITLE</b>	Aluminium Receptacle 8D series		
SCALE		General linear Tolerances:	NPRDS / PROJECT
NA		±--	<b>859</b>
<b>SOURIAU</b>	<b>WWW.SOURIAU.COM</b>		This document is the property of SOURIAU it must not be reproduced or communicated without permission
FORMAT	<b>SOURIAU DRG N° 8D721W75AA-C</b>		SHEET 2/2