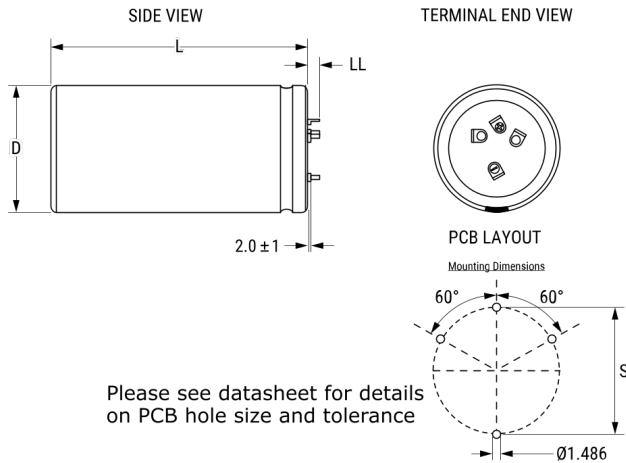


ALF40C682EC063

Aliases (A534HE682M063C)

ALF40, Aluminum Electrolytic, 6,800 uF, 20%, 63 VDC, -40/+105°C



Click [here](#) for the 3D model.

Dimensions

D	40mm +1mm
L	35mm +/-2mm
S	22.5mm +/-0.1mm
LL	5.5mm +/-1mm
F	1.486mm +/-0.076mm

Packaging Specifications

Packaging	Bulk
Packaging Quantity	72

General Information

Series	ALF40
Dielectric	Aluminum Electrolytic
Style	Press-Fit
Description	Press-Fit, Aluminum Electrolytic
RoHS	Yes
Lead	4 Pin Press-Fit
AEC-Q200	No
Component Weight	57 g
Notes	Dimensions Include Slewing.
Shelf Life	156 Weeks

Specifications

Capacitance	6,800 uF
Capacitance Tolerance	20%
Voltage DC	63 VDC, 72.5 VDC (Surge)
Temperature Range	-40/+105°C
Rated Temperature	105°C
Life	9000 Hrs (Rated Voltage and Ripple Current at 105C), 14000 Hrs (Rated Voltage at 105C)
Resistance	91 mOhms (100Hz 20C), 81 mOhms (10kHz 20C)
Ripple Current	4.18 Amps (100Hz 105C), 4.26 Amps (10kHz 105C)
Leakage Current	1285 uA (5min 20°C)