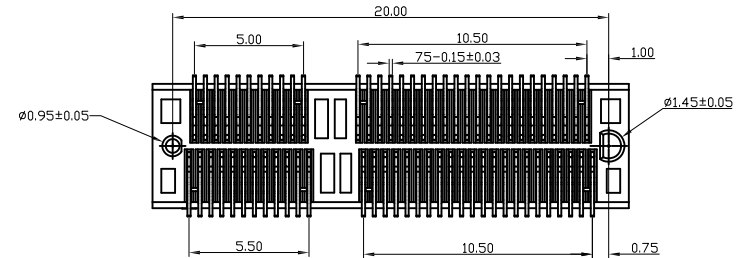
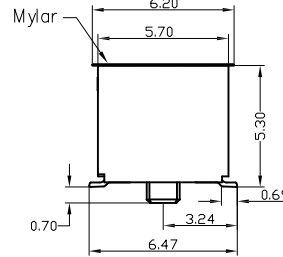
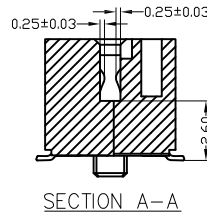
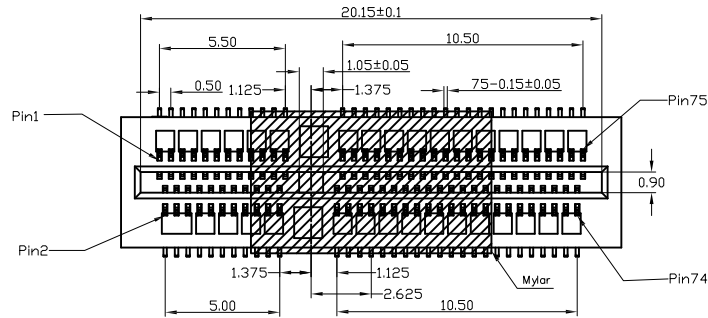
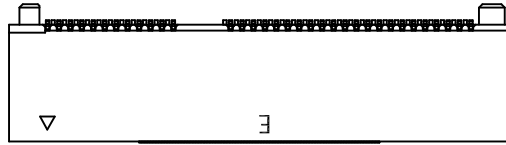
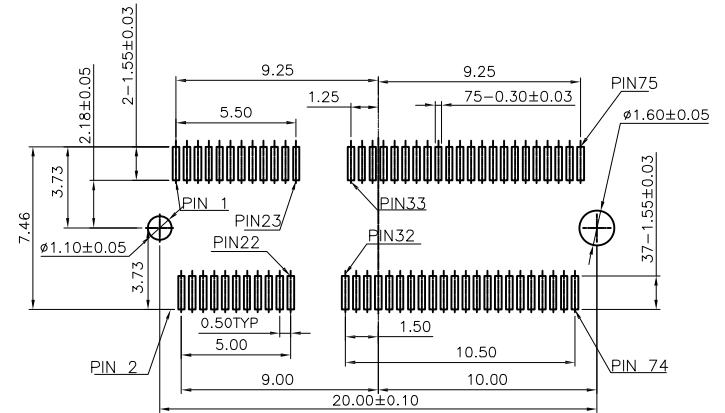


APPROVED: \_\_\_\_\_  
 DATE: \_\_\_\_\_ TITLE: \_\_\_\_\_

Rev	AWO #	Description	Date	Appr
-		RELEASED	11/17/21	
A		ADDED PACKING	12/10/21	WX/RC
B		UPDATE SPEC.	12/28/21	WX/RC



Bottom View



RECOMMENDED PCB LAYOUT

**SPECIFICATIONS:**

**Material:**  
 Insulator: Hi-Temp Thermoplastic, rated UL 94V-0  
 Insulator Color: Black  
 Contacts Pin: Brass  
**Plating:**  
 Gold flash over Nickel underplate overall  
**Electrical:**  
 Voltage rating: 50 VAC  
 Current rating: 0.5A Per Pin  
 Contact resistance: 20 mohms max  
 Insulation resistance: 500 Mohms min  
 Dielectric withstanding voltage: 200 VAC for 1 minute  
**Mechanical:**  
 PCB Thickness: 0.8mm  
 Durability: 25-60 cycles  
**Environmental:**  
 Lead free, RoHS compliant



UNLESS OTHERWISE SPECIFIED ALL DIMENSIONS ARE MILLIMETERS. TOLERANCES: EXCEPT AS NOTED			<b>ADAM TECH</b> 909 Rahway Avenue, Union, NJ 07083 Phone: 908-687-5000 Fax: 908-687-5710								
MM	±	ANGLE									
.X	± .35	± 3°	<b>TITLE</b> M.2 CONNECTOR, 67PINS, SMT TYPE, VERTICAL 5.30MM HEIGH MYLAR+REEL								
.XX	± .20										
<table border="1"> <tr> <td>DRAWN</td> <td>JJ</td> <td>11/17/21</td> </tr> <tr> <td>CHECKED</td> <td>TL</td> <td>11/17/21</td> </tr> <tr> <td>APPROVED</td> <td></td> <td></td> </tr> </table>					DRAWN	JJ	11/17/21	CHECKED	TL	11/17/21	APPROVED
DRAWN	JJ	11/17/21									
CHECKED	TL	11/17/21									
APPROVED											
THIS DRAWING CONTAINS INFORMATION THAT IS PROPRIETARY AND SHOULD NOT BE USED WITHOUT PRIOR WRITTEN PERMISSION FROM ADAM TECH			<b>SIZE</b> X	<b>PART NO.</b> M2-J-67-V-SMT-5.30-KE-KT-T/R	<b>REV.</b> B						
REF: S00059T		SCALE: NTS	SHEET 1 OF 2								

6

5

4

3

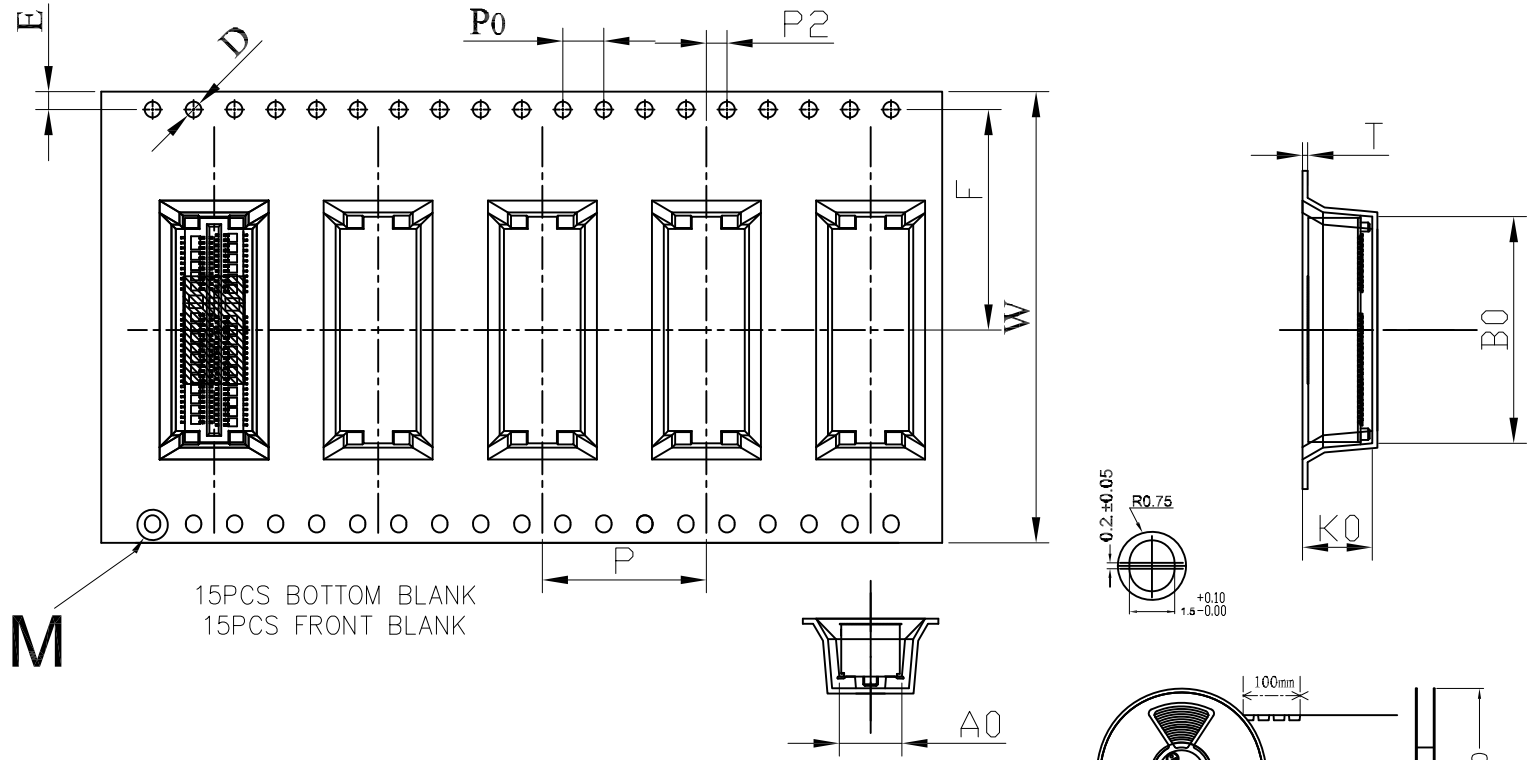
2

1

Rev	AWO #	Description	Date	Appr
SEE SHT 1 OF 2 FOR REVISION				

APPROVED: \_\_\_\_\_

DATE: \_\_\_\_\_ TITLE: \_\_\_\_\_



15PCS BOTTOM BLANK  
15PCS FRONT BLANK

ITEM	W	A0	B0	K0	K1	P	E	F	D	D1	P0	P2	T
DIM	44.0 <sup>+0.3</sup> <sub>-0.3</sub>	6.09 <sup>+0.1</sup> <sub>-0.1</sub>	22.10 <sup>+0.1</sup> <sub>-0.1</sub>	6.80 <sup>+0.1</sup> <sub>-0.1</sub>	0 <sup>+0.1</sup> <sub>-0.1</sub>	16.00 <sup>+0.1</sup> <sub>-0.1</sub>	1.75 <sup>+0.1</sup> <sub>-0.1</sub>	20.20 <sup>+0.1</sup> <sub>-0.1</sub>	1.5 <sup>+0.1</sup> <sub>-0.0</sub>		4.0 <sup>+0.1</sup> <sub>-0.1</sub>	2.0 <sup>+0.1</sup> <sub>-0.1</sub>	0.5 <sup>+0.05</sup> <sub>-0.05</sub>

- NOTE:
- 1.10 sprocket hole pitch cumulative tolerance ± 0.2
  2. Carrier camber is 1mm in 100mm
  3. A0 and B0 measured on a plane 0.3mm above the bottom of the pocket
  4. K0 measured from a plane on the inside bottom of the pocket to the top surface of the carrier
  5. All dimensions meet EIA-481-2 requirements
  6. 22" 1R = M 13" 1R = 10.08M 600PCS

UNLESS OTHERWISE SPECIFIED ALL DIMENSIONS ARE MILLIMETERS. TOLERANCES: EXCEPT AS NOTED

MM	± .35	ANGLE	± 3°
.X	± .35		
.XX	± .20		

**ADAM TECH**

909 Rahway Avenue,  
Union, NJ 07083  
Phone: 908-687-5000  
Fax: 908-687-5710

DRAWN	JJ	11/17/21
CHECKED	TL	11/17/21
APPROVED		

TITLE  
M.2 CONNECTOR, 67PINS, SMT TYPE,  
VERTICAL 5.30MM HEIGH MYLAR+REEL

THIS DRAWING CONTAINS INFORMATION THAT IS PROPRIETARY AND SHOULD NOT BE USED WITHOUT PRIOR WRITTEN PERMISSION FROM ADAM TECH

SIZE	PART NO.	REV.
X	M2-J-67-V-SMT-5.30-KE-KT-T/R	B

REF: S00059T SCALE: NTS SHEET 2 OF 2

6

5

4

3

2

1